



**DIGITAL VIDEO CAMERA**  
VP-D70/D70i  
SCD67/70

SAMSUNG

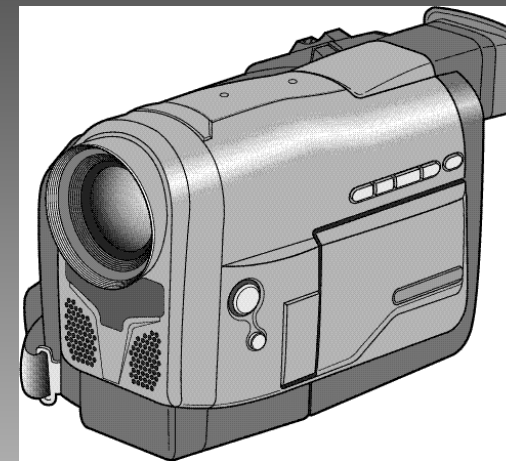
SERVICE MANUAL

# **SERVICE** *Manual*



VP-D70/VP-D70i/SCD67/SCD70

DIGITAL VIDEO CAMERA



CONTENTS

1. Specifications
2. Disassembly and Reassembly
3. Alignment and Adjustment
4. Exploded View and Parts List
5. Electrical Parts List
6. Wiring Diagram
7. PCB Diagrams
8. Schematic Diagrams

© Samsung Electronics Co.,Ltd. AUG. 2001  
Printed in Korea  
AD68-00420C

# 1. Product Specifications and Comparison Chart

## 1-1 Product Specifications (SCD67 / SCD70)

Design and specifications are subject to change without notice.

Operation	Description
SYSTEM	
Video signal	NTSC standards
Video recording system	2rotary heads, helical scanning system
Audio recording system	Rotary heads, PCM system
Usable cassette	Digital video tape (6.35mm width): MiniDV cassette
Tape speed	SP : approx. 18.81 mm/s LP : approx. 12.56mm/s
Tape Recording time	SP : 60 minutes (when using DVM 60)
	LP : 90 minutes (when using DVM 60)
FF/REW time	Approx. 150 sec. (using DVM60 tape)
Image device	CCD (Charge Coupled Device)
Lens	F1.6 22x(Optical),500x(Digital)Electronic zoom lens,
Filter diameter	ø37
LCD monitor/Viewfinder	
Size/dot number	2.5inch/112.320
LCD monitor Method	TFT LCD
Viewfinder	0.24"B/W LCD
CONNECTORS	
Video output	1Vp-p (75 terminated)
S-Video output	Y: 1vp-p,75 ,C: 0.286Vp-p, 75
Audio output	-7.5dBs (600 terminated)
DV input/output	4pin special in/out connector
External mic	ø3.5 stereo
GENERAL	
Power source	DC 8.4V, Lithium Ion Battery Pack 7.4V
Power source type	Lithium Ion Battery Pack,
	Power supply (100V~240V)50/60Hz
Power consumption (Recording)	SCD67/SCD70:6.3W(LCD),5.0W(EVF)
Operating temperature	0°C ~ 40°C (32°F ~104°F) -20°C to 60°C (-4°F to 140°F)
Storag temperature	-20°C ~ 60°C (-4°F ~140°F)
External dimension	Length 158 mm,Height93 mm,Width 87mm
Weight	580g (Except for Lithium Ion Battery Pack and tape)
Built-in MIC	Omni-direcional stereo condenser microphone
Remote control	Indoors: greater than 15m (straight line)
	Outdoors:greater than 5m (straight line)

## 1-2 Product Specifications (VP-D70/D70i)

Design and specifications are subject to change without notice.

Operation	Description
SYSTEM	
Video signal	PAL, CCIR standards
Video recording system	2rotary heads, helical scanning system
Audio recording system	Rotary heads, PCM system
Usable cassette	Digital video tape (6.35mm width): MiniDV cassette
Tape speed	SP : approx. 18.83 mm/s LP : approx. 12.57mm/s
Tape Recording time	SP : 60 minutes (when using DVM 60) LP : 90 minutes (when using DVM 60)
FF/REW time	Approx. 150 sec. (using DVM60 tape)
Image device	CCD (Charge Coupled Device)
Lens	F1.6 22x(Optical), 500x(Digital) Electronic zoom lens,
Filter diameter	ø37
LCD monitor/Viewfinder	
Size/dot number	2.5inch/112.320
LCD monitor Method	TFT LCD
Viewfinder	0.24"B/W LCD
CONNECTORS	
Video output	1Vp-p (75 terminated)
S-Video output	Y: 1vp-p, 75 , C: 0.286Vp-p, 75
Audio output	-7.5dBs (600 terminated)
DV input/output	Out only
External mic	ø3.5 stereo
GENERAL	
Power source	DC 8.4V, Lithium Ion Battery Pack 7.4V
Power source type	Lithium Ion Battery Pack, Power supply (100V~240V)50/60Hz
Power consumption (Rec.)	VP-D70/D70i:6.3W (LCD), 5.0W (EVF)
Operating temperature	0°C ~ 40°C (32°F ~104°F) -20°C to 60°C (-4°F to 140°F)
Storage temperature	-20°C ~ 60°C (-4°F ~140°F)
External dimension	Length 158 mm, Height 93 mm, Width 87mm
Weight	580g (Except for Lithium Ion Battery Pack and tape)
Built-in MIC	Omni-directional stereo condenser microphone
Remote control	Indoors: greater than 15m (straight line) Outdoors: greater than 5m (straight line)

## 1-3 Comparison Chart

MODEL FUNCTION	VP-D70	SCD67	SCD70	VP-D70i
VIEWFINDER	EVF	EVF	EVF	EVF
D.ZOOM	X500	X500	X500	X500
REMOTE CONTROL	0	X	0	0
DIS	0	0	0	0
CCD	460K	390K	390K	460K
iEEE1394	OUT	IN/OUT	IN/OUT	IN/OUT

# MEMO

---

## 2. Disassembly and Reassembly

---

### 2-1 Cabinet and PCB

---

#### 2-1-1 Top Cover removal

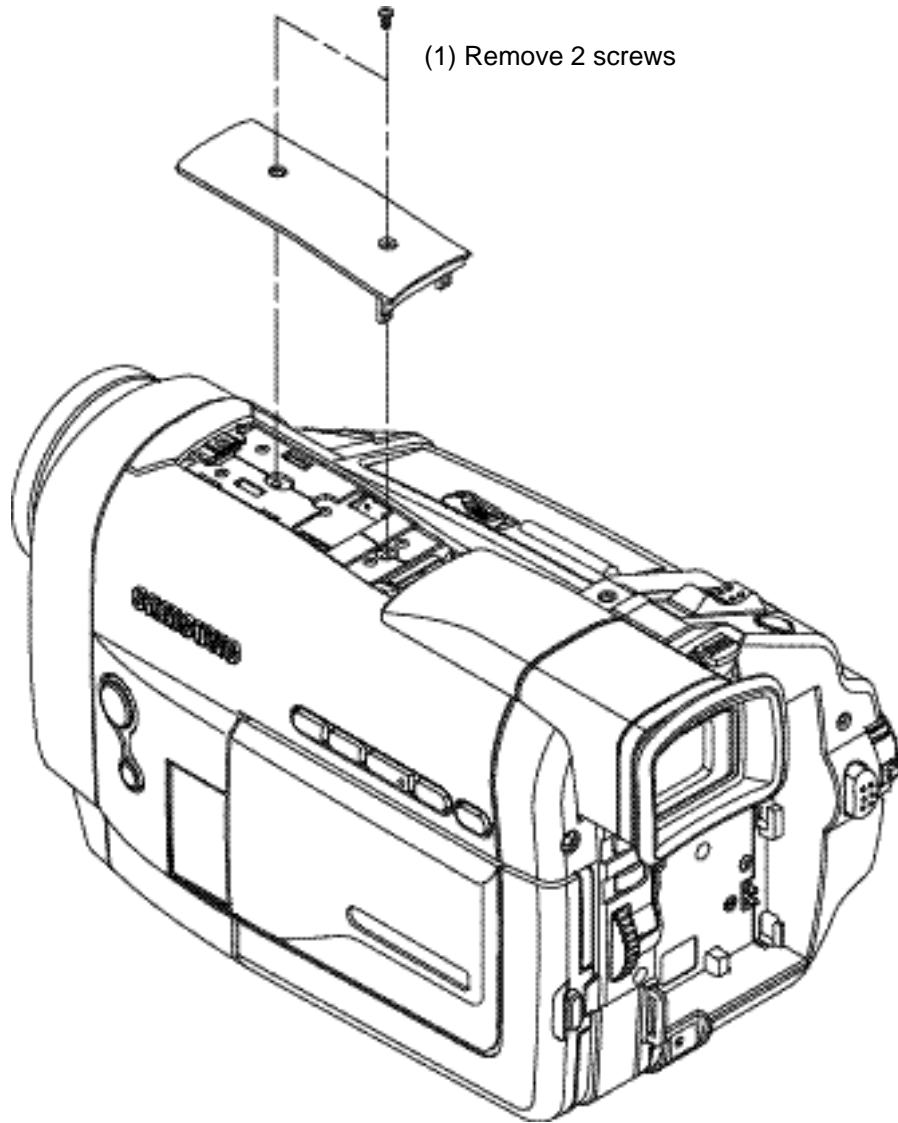


Fig. 2-1 Top Cover removal

### 2-1-2 Ass'y Cover Housing removal

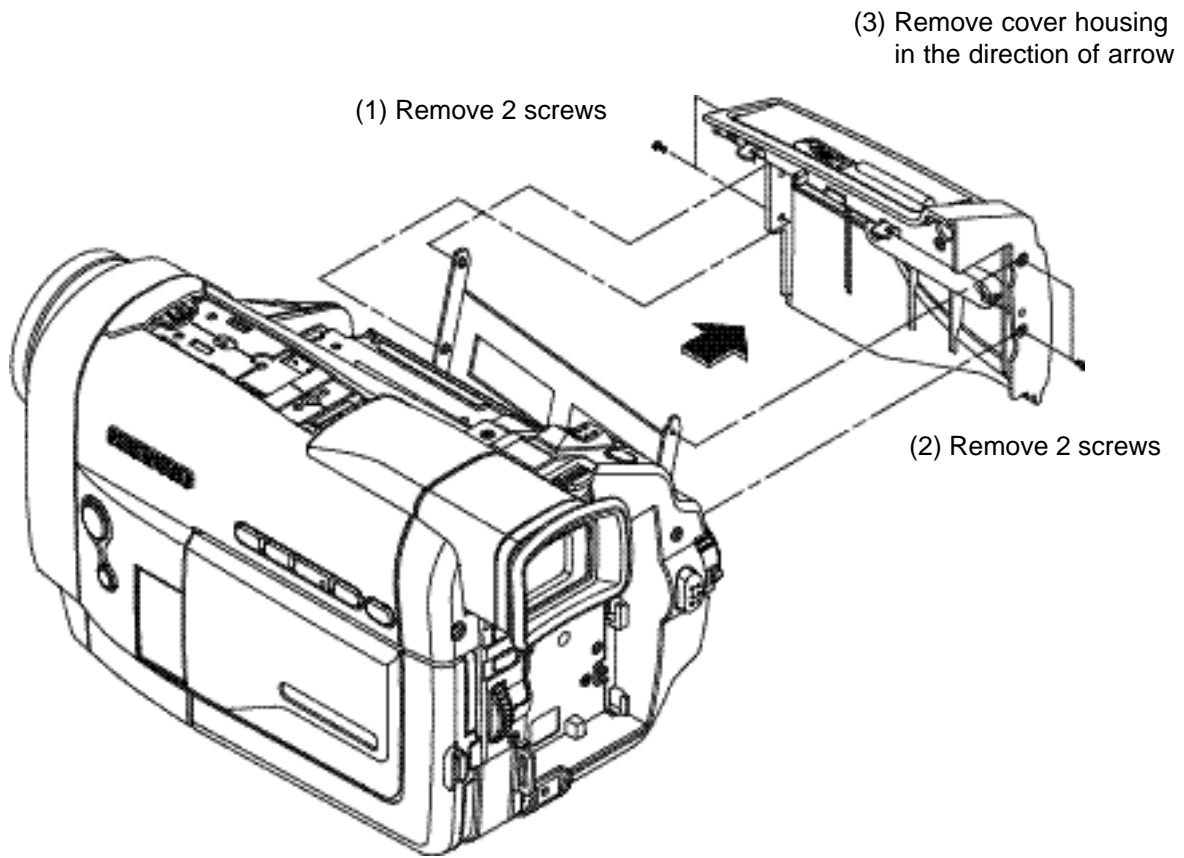


Fig. 2-2 Ass'y Cover Housing removal

### 2-1-3 Ass'y Front removal

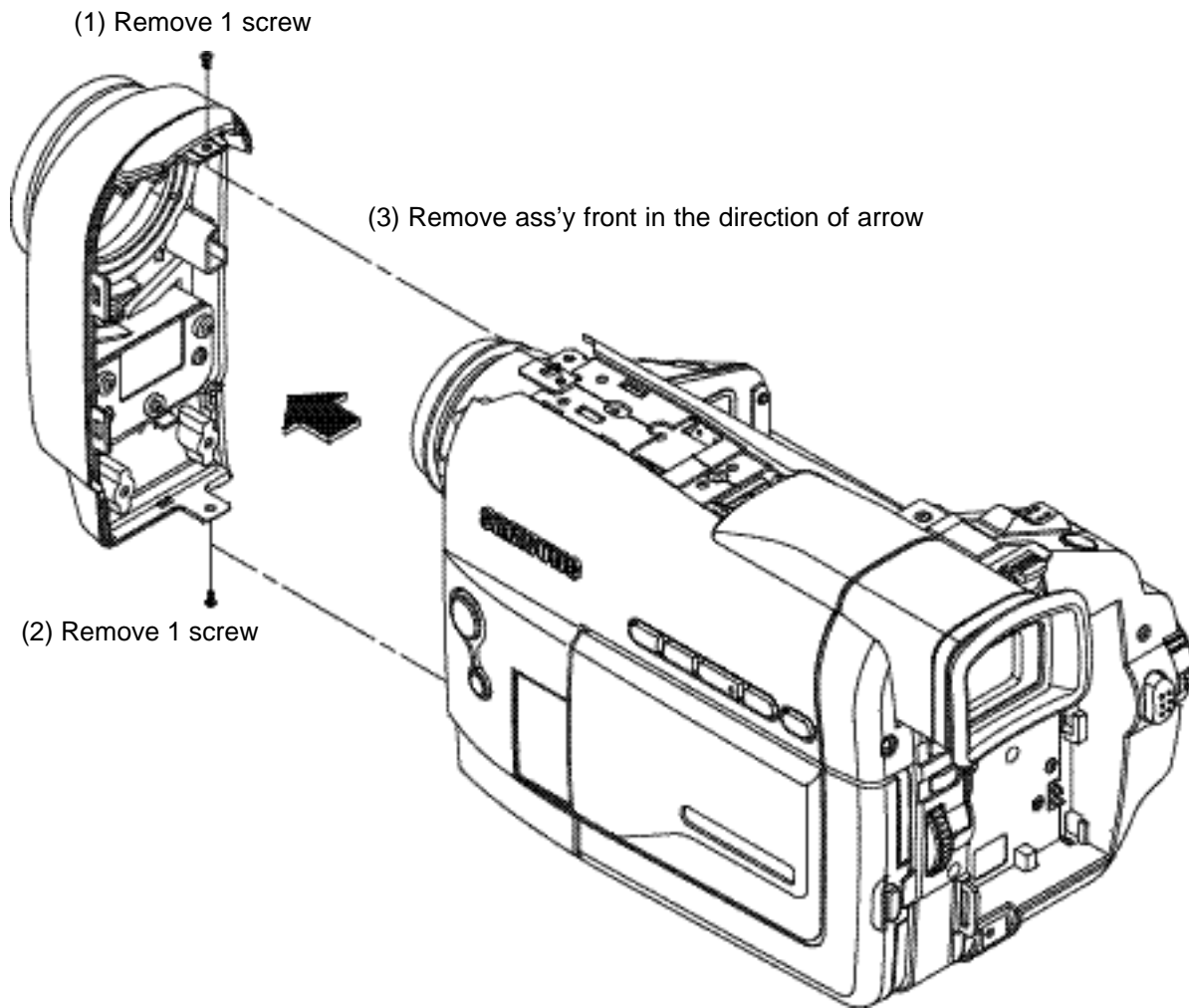


Fig. 2-3 Ass'y Front removal



### 2-1-4 Ass'y Case-Left removal

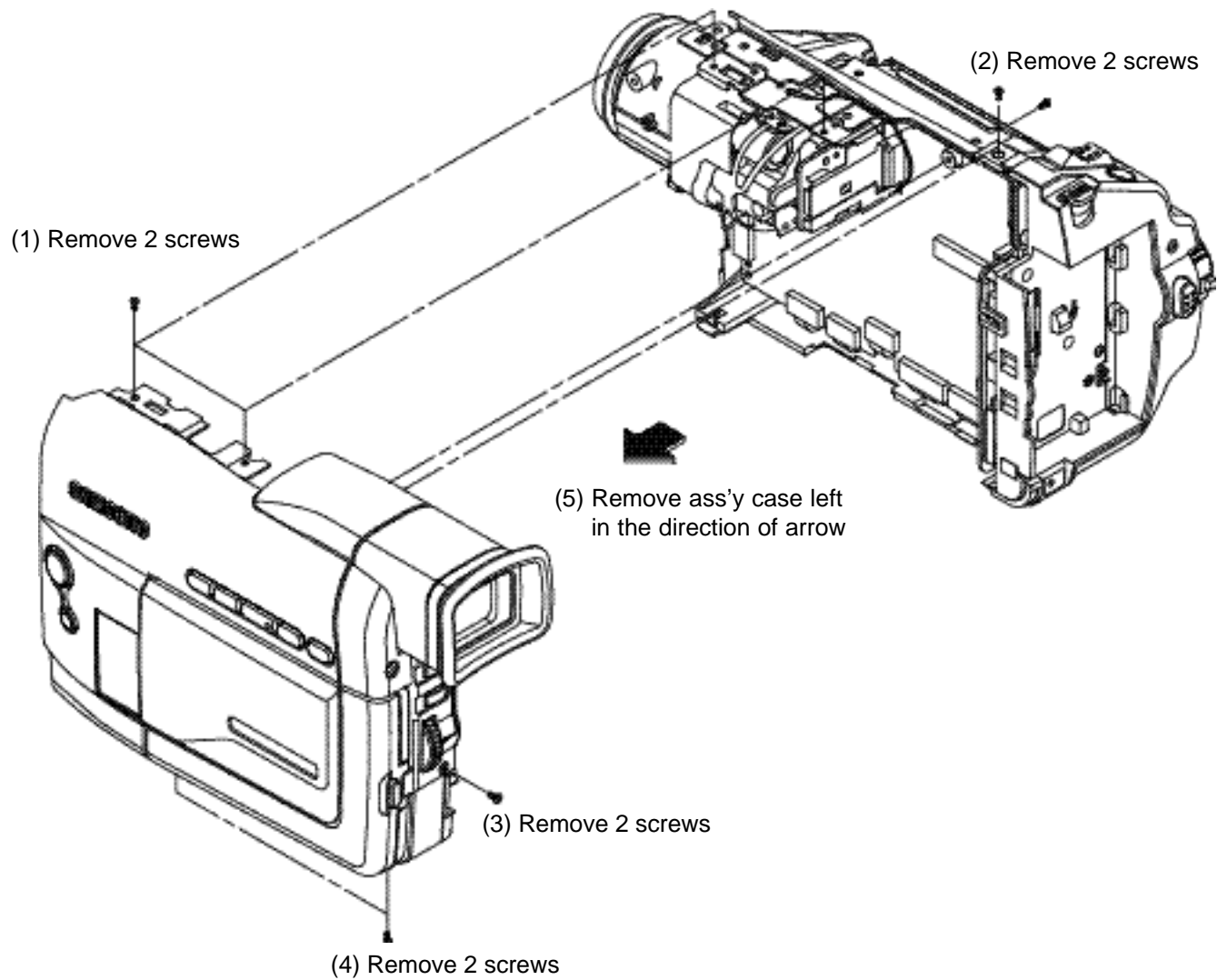


Fig. 2-4 Ass'y Case-Left removal

2-1-5 Ass'y Case-Right removal

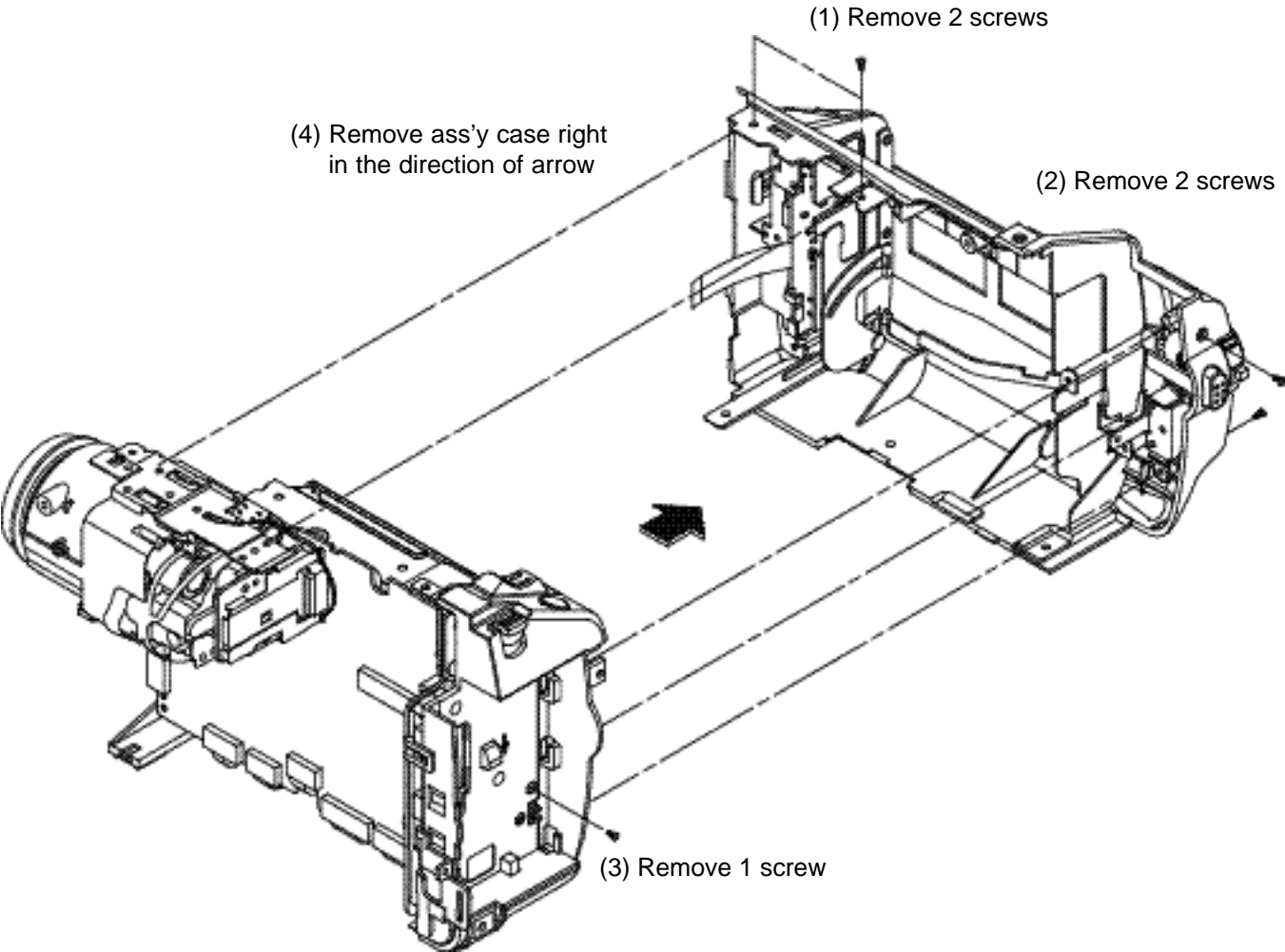


Fig. 2-5 Ass'y Case-Right removal

## 2-1-6 Ass'y Camera & Main PCB removal

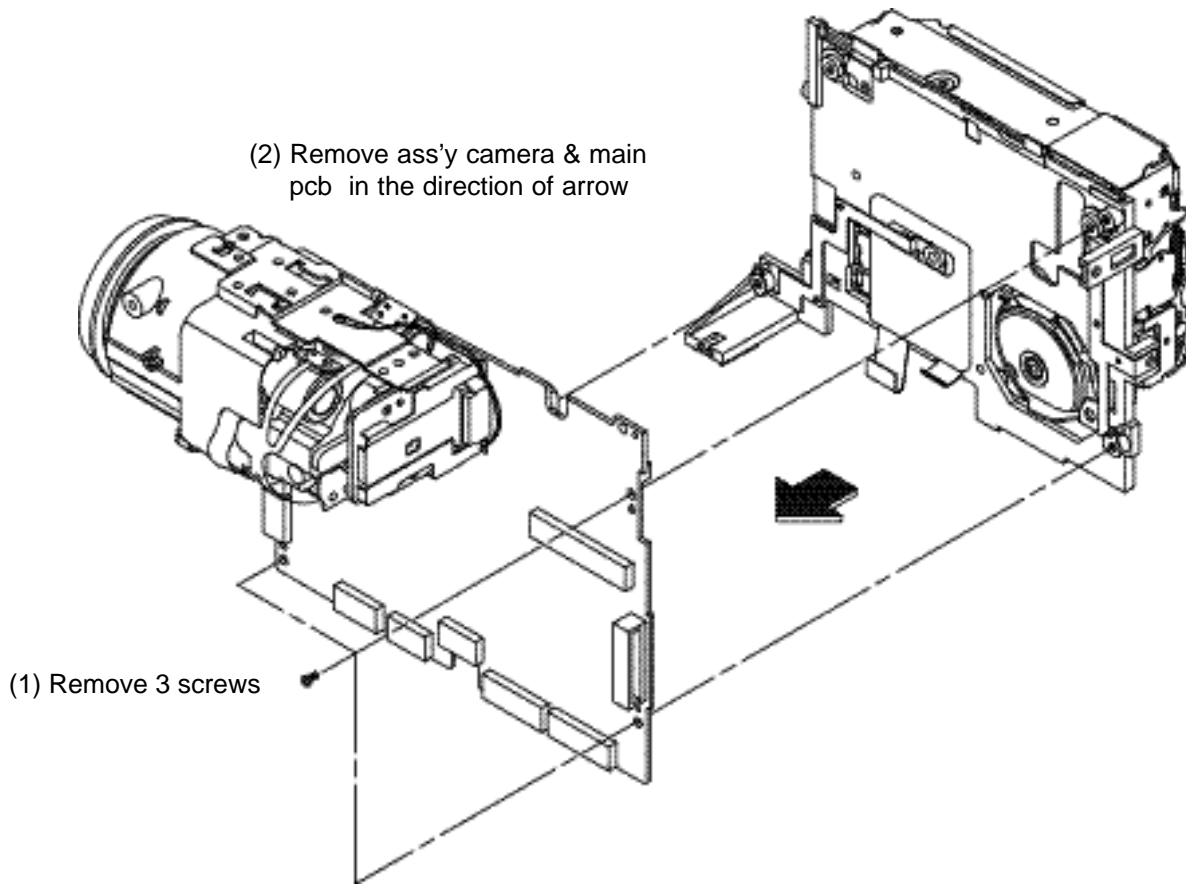


Fig. 2-6 Ass'y Camera & Main PCB removal

### 2-1-7 Ass'y-Camera removal

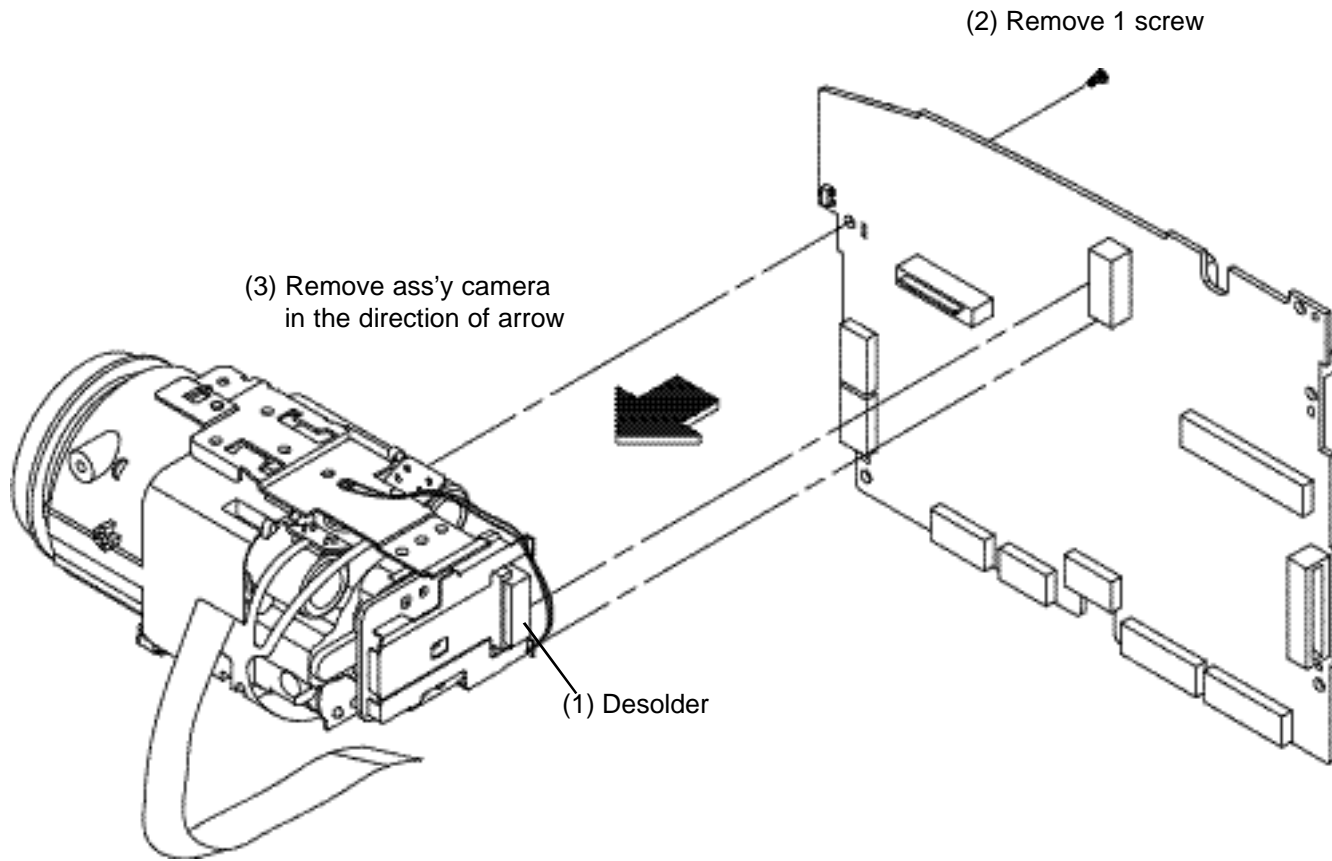


Fig. 2-7 Ass'y Camera removal

## 2-2 Circuit Boards Location

---

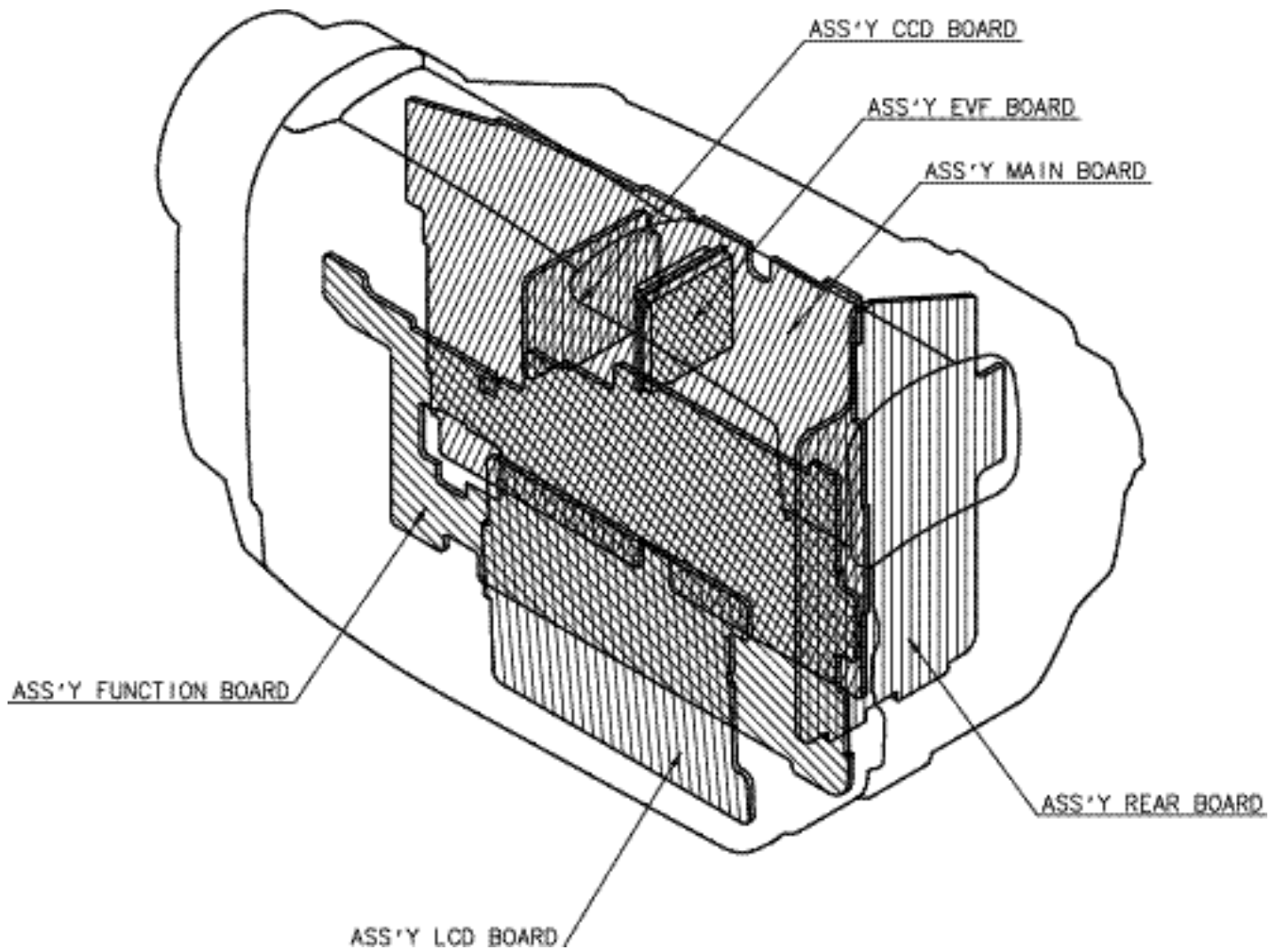


Fig. 2-8 Circuit Boards Location

## 2-3 Connector Diagram

---

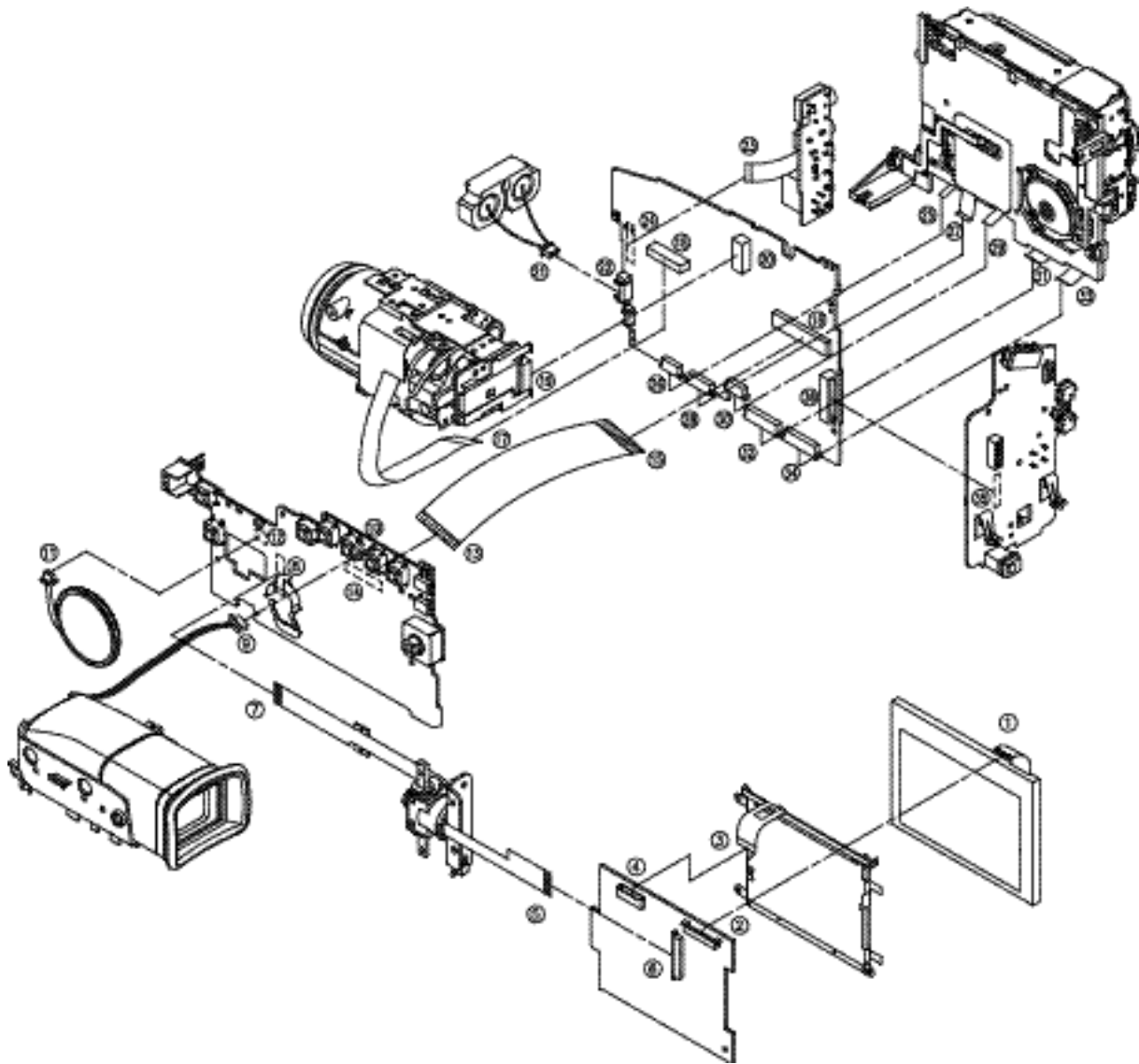


Fig. 2-9 Connector Diagram

---

## 2. Disassembly and Reassembly

---

### 2-1 Cabinet and PCB

---

#### 2-1-1 Top Cover removal

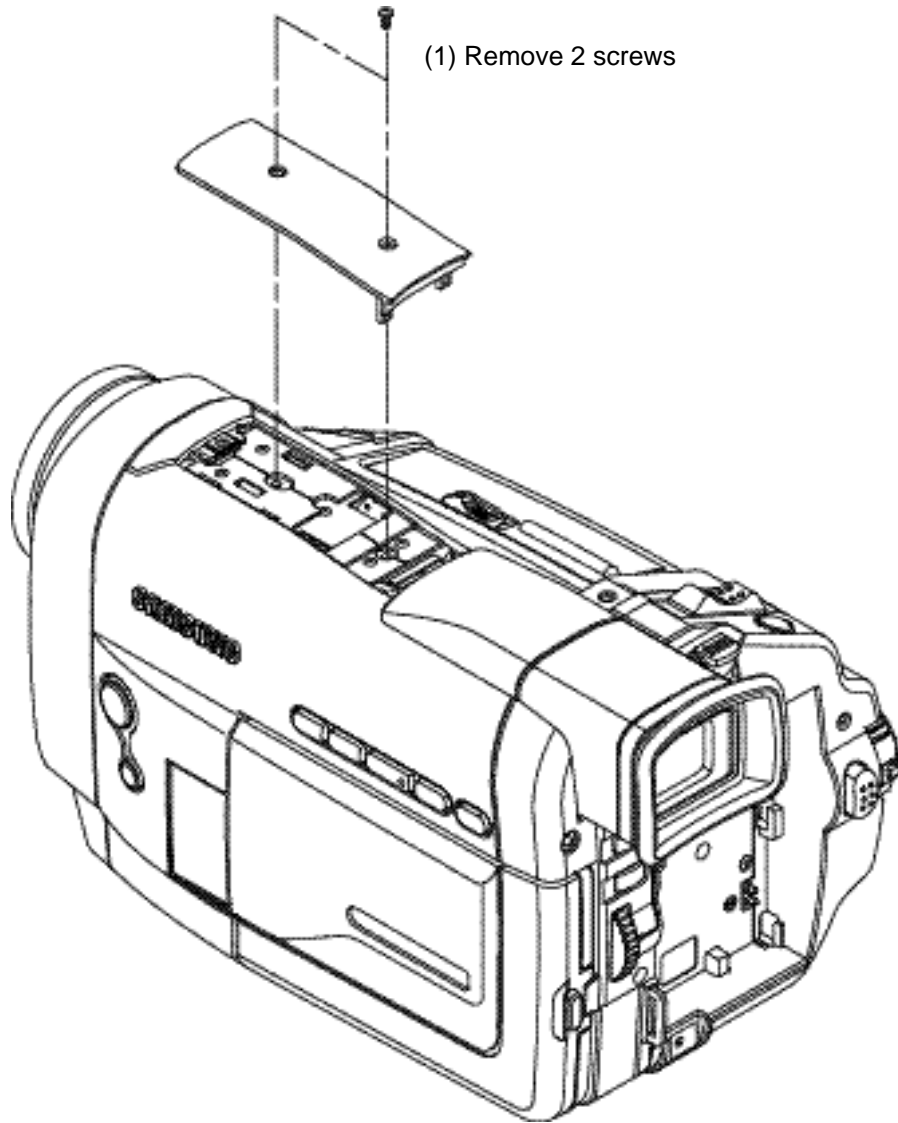


Fig. 2-1 Top Cover removal

### 2-1-2 Ass'y Cover Housing removal

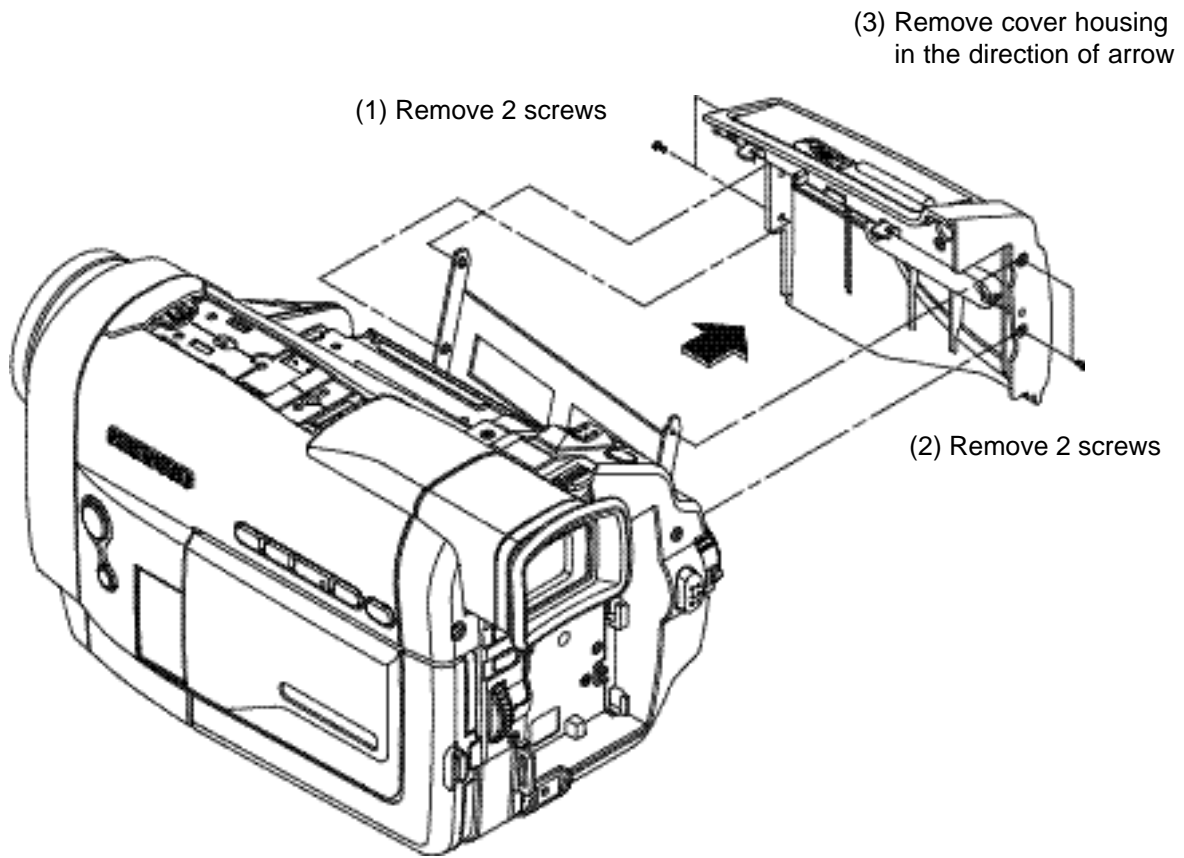


Fig. 2-2 Ass'y Cover Housing removal



### 2-1-3 Ass'y Front removal

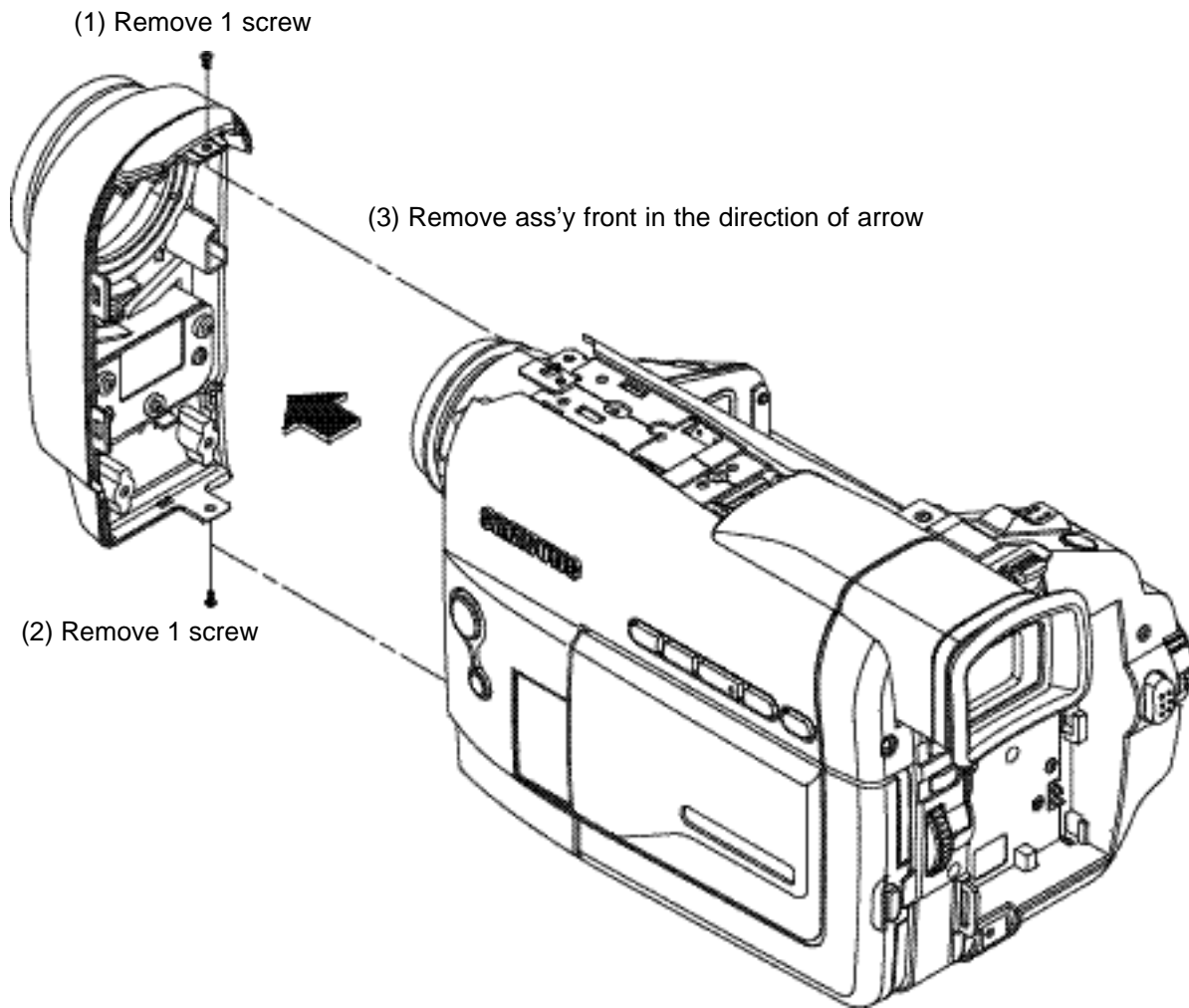


Fig. 2-3 Ass'y Front removal

### 2-1-4 Ass'y Case-Left removal

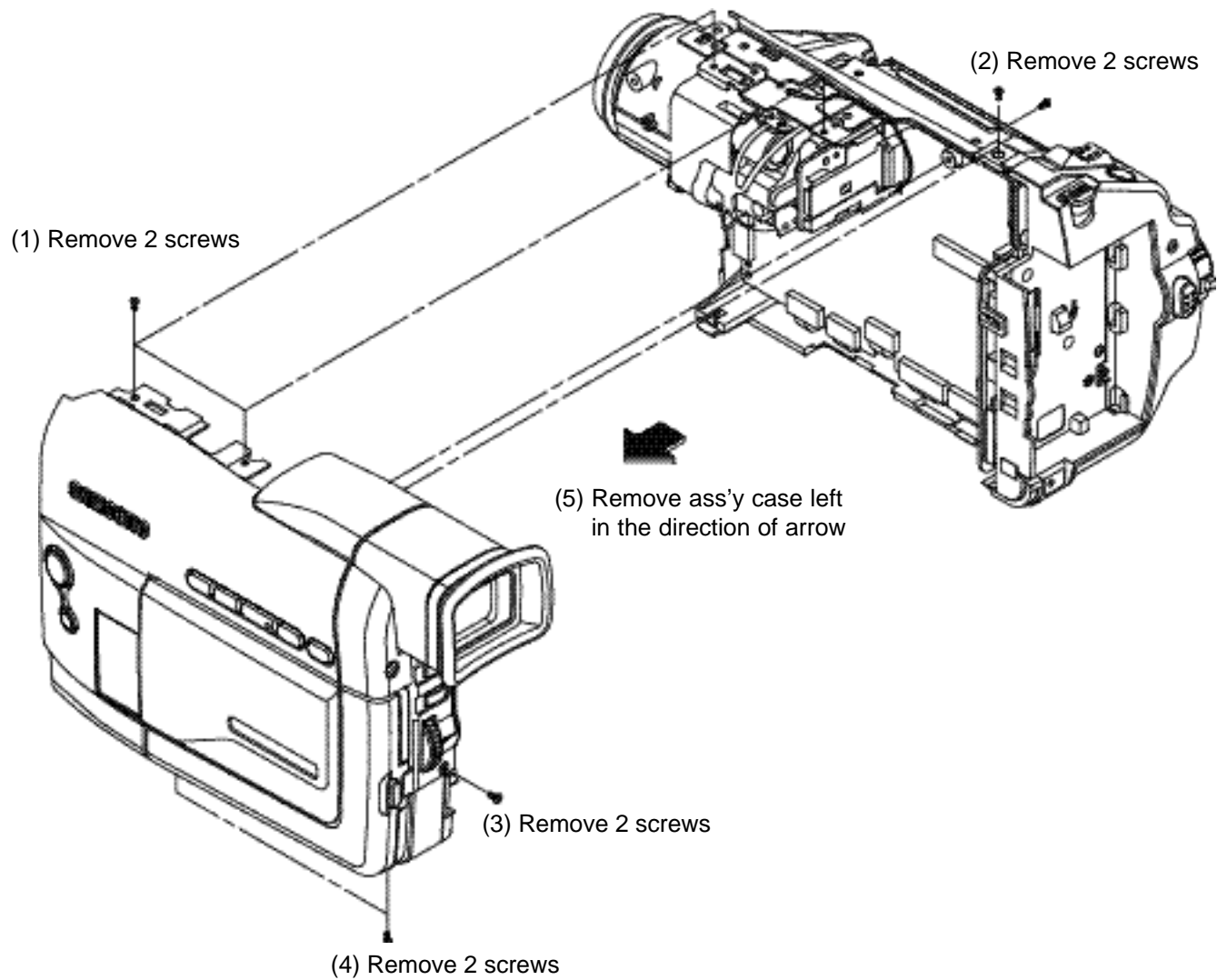


Fig. 2-4 Ass'y Case-Left removal

2-1-5 Ass'y Case-Right removal

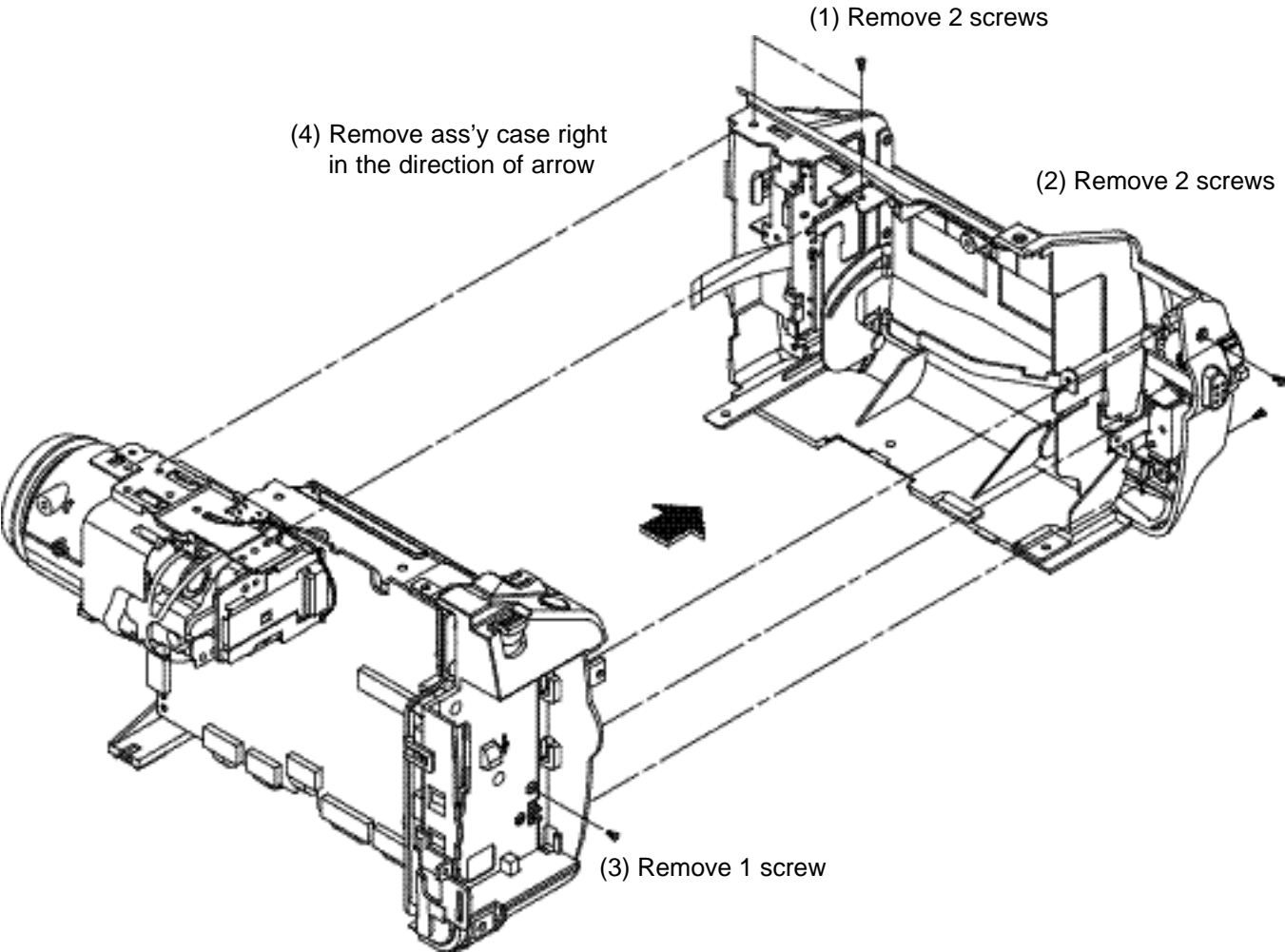


Fig. 2-5 Ass'y Case-Right removal

## 2-1-6 Ass'y Camera & Main PCB removal

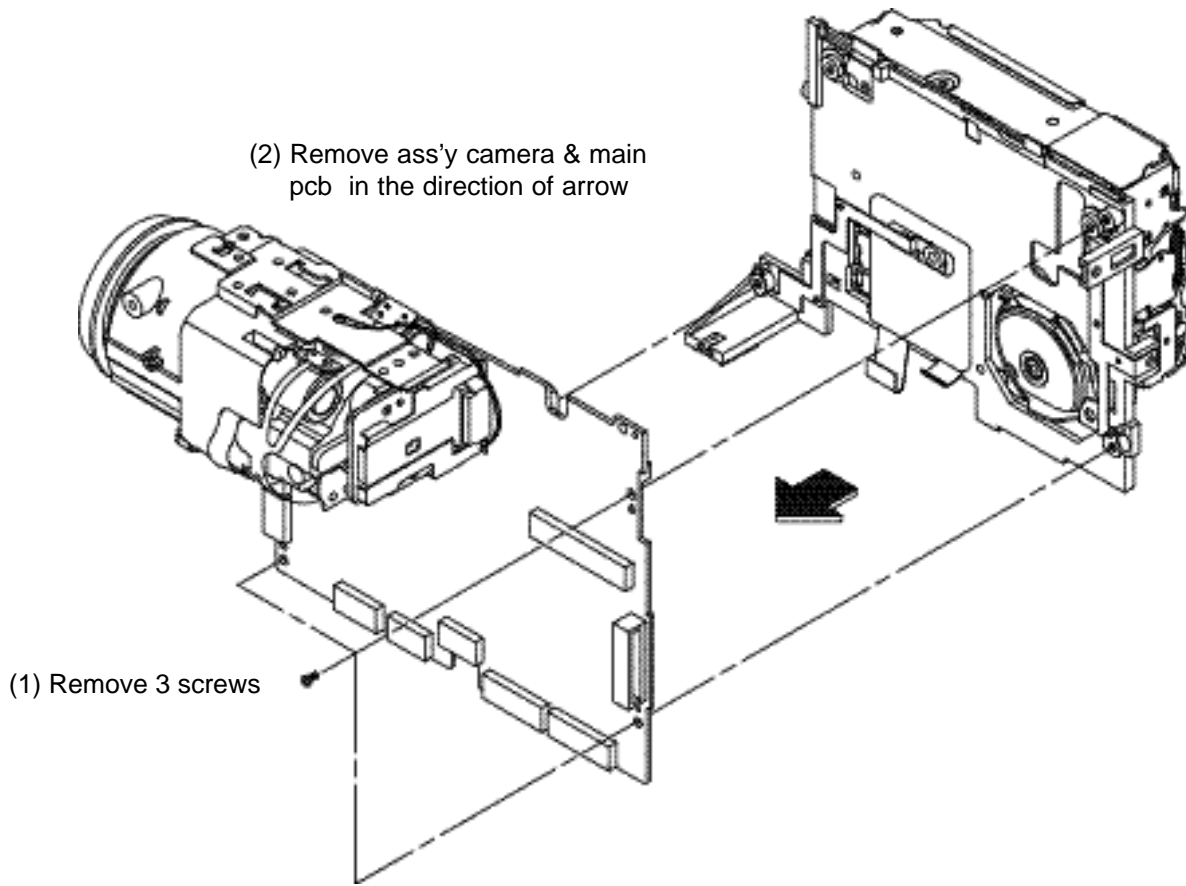


Fig. 2-6 Ass'y Camera & Main PCB removal

### 2-1-7 Ass'y-Camera removal

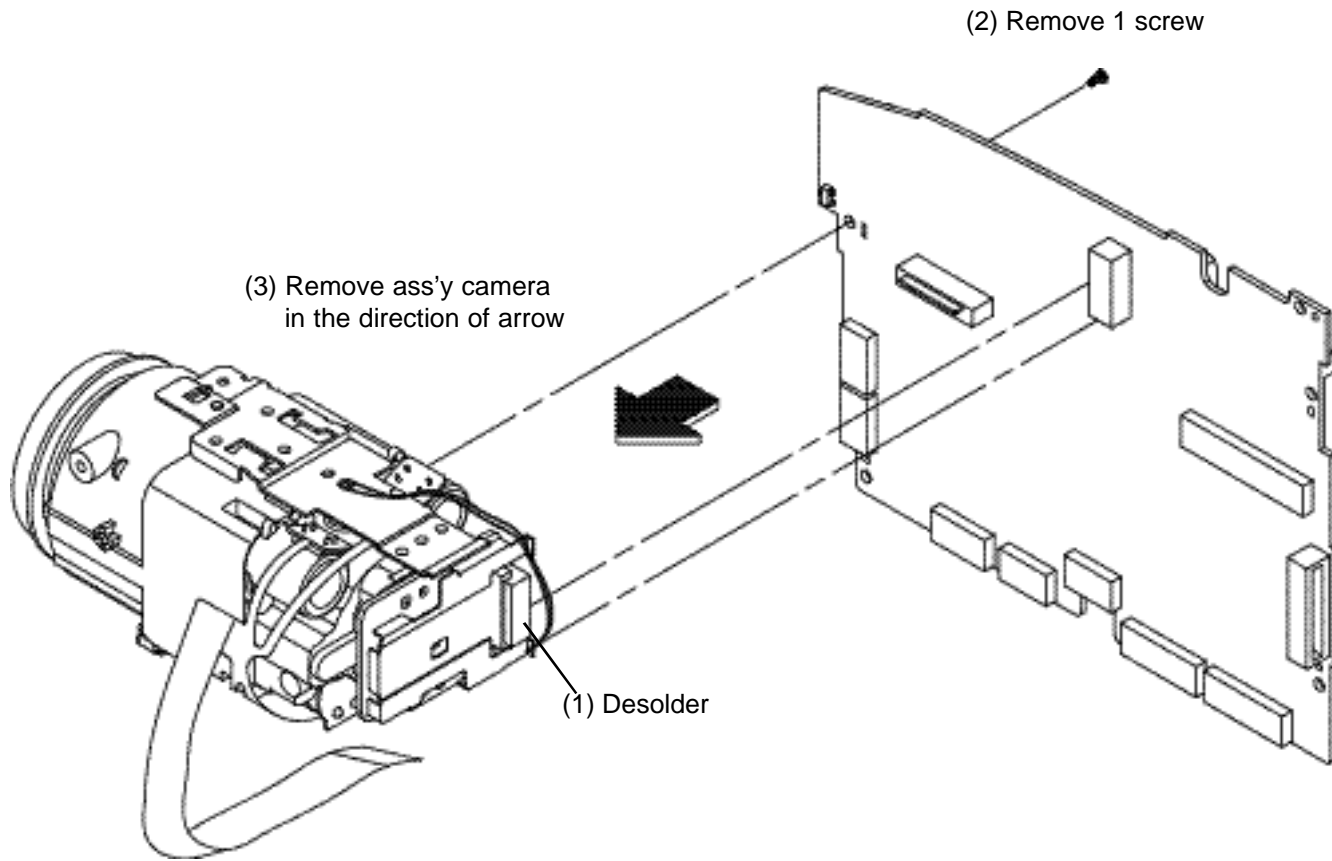


Fig. 2-7 Ass'y Camera removal

## 2-2 Circuit Boards Location

---

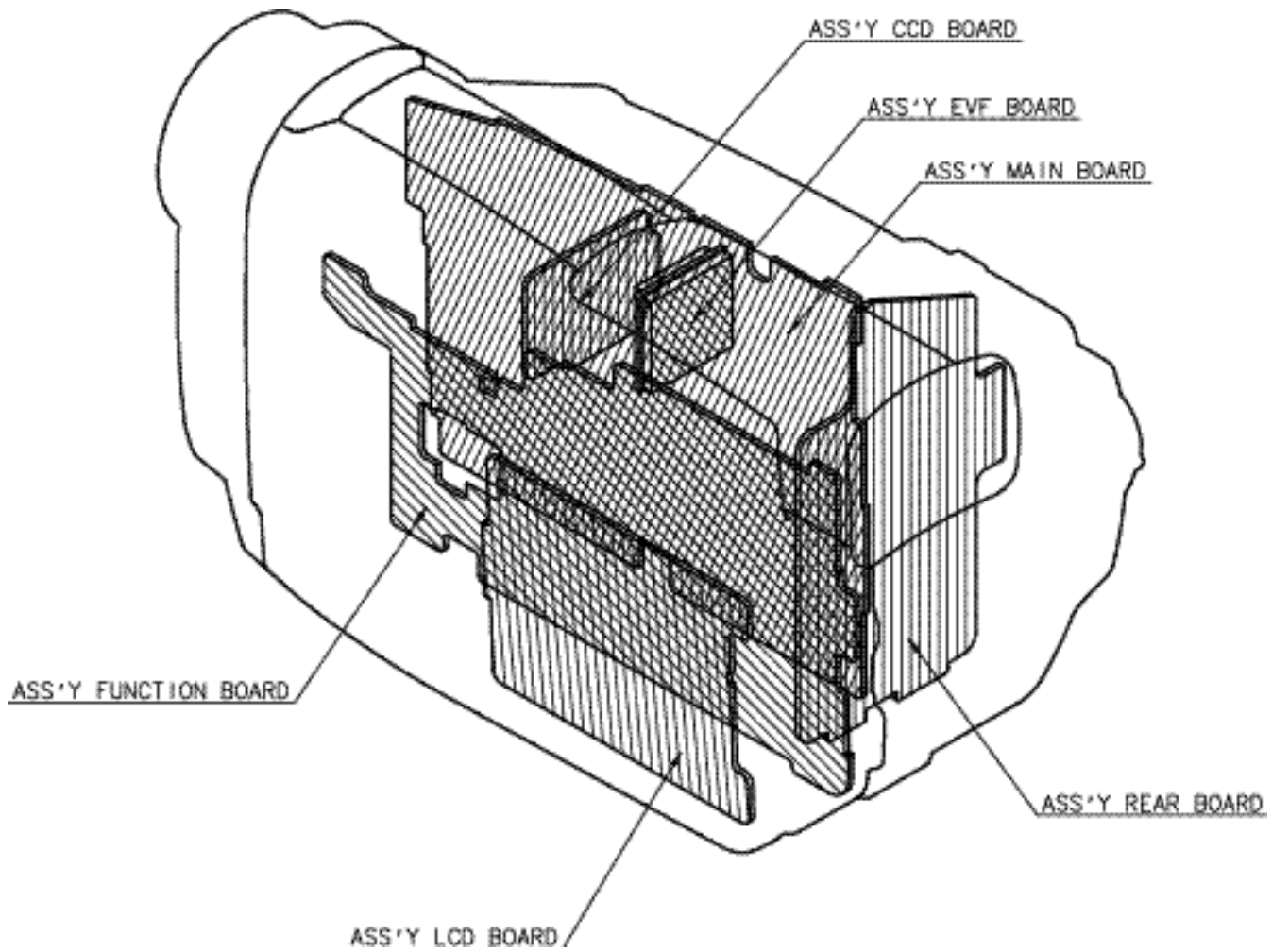


Fig. 2-8 Circuit Boards Location

## 2-3 Connector Diagram

---

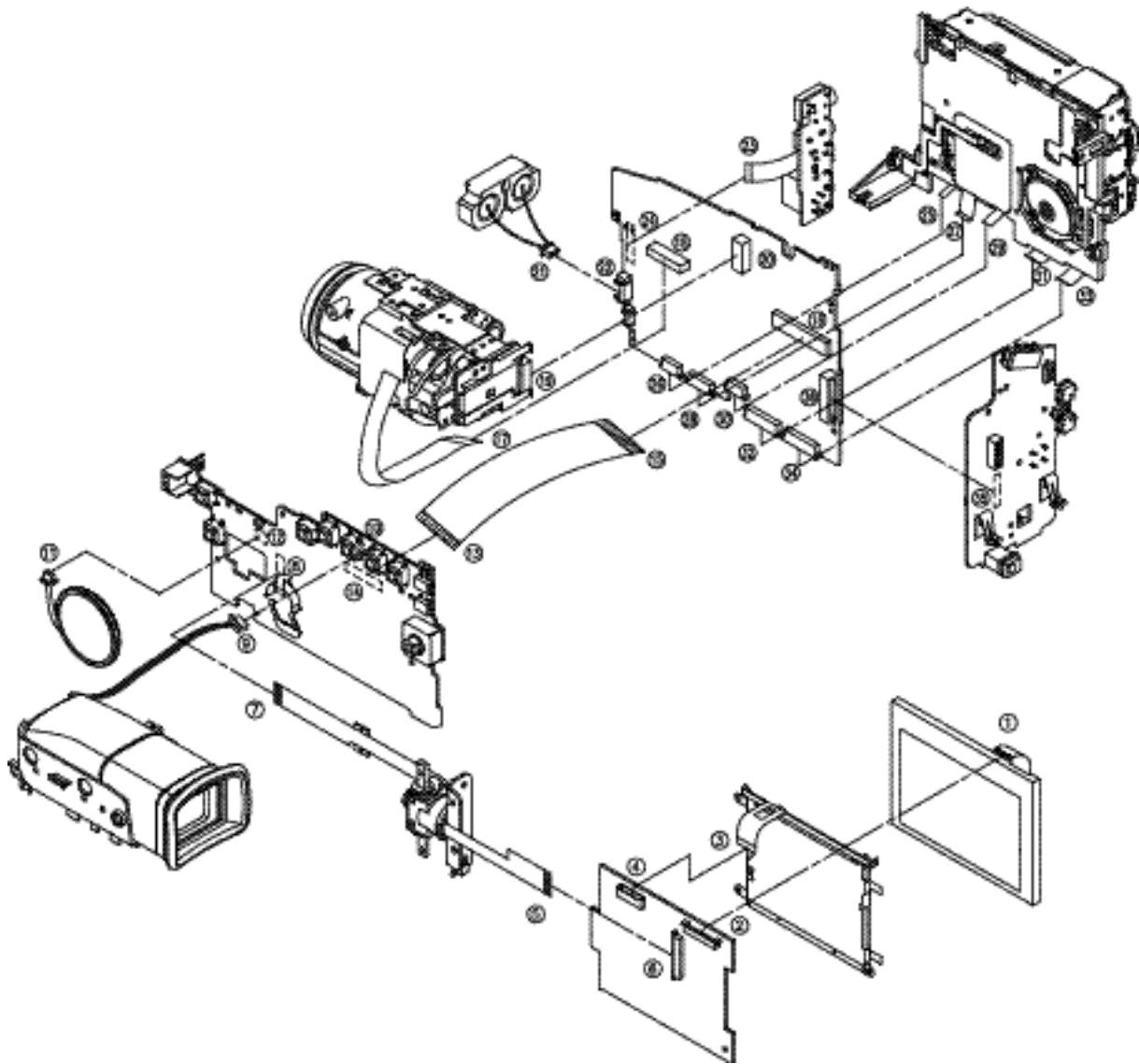


Fig. 2-9 Connector Diagram

---

## 3. Alignment and Adjustment

---

### 3-1. VCR Adjustment

---

#### 3-1-1. VCR Adjustment Preparation

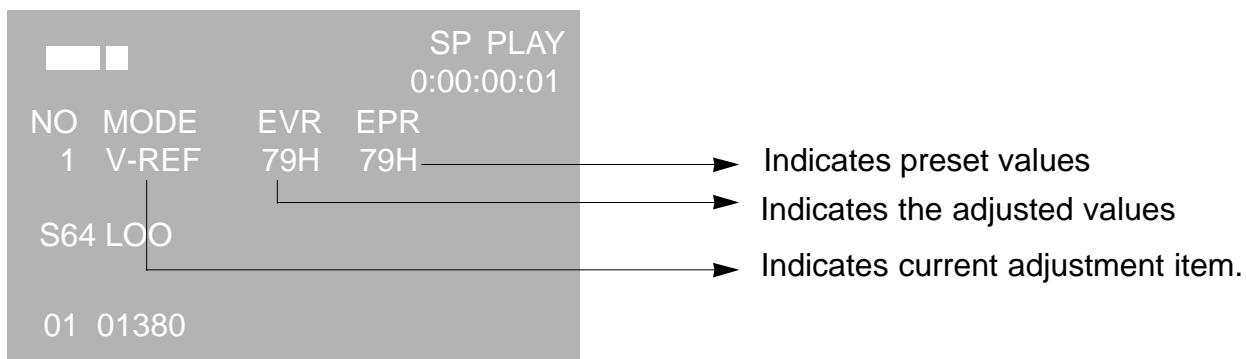
##### 1. How to get into the VCR adjust mode.

###### STEP 1

1. Connect the power source.
2. Set the mode switch of the video camera to "PLAYER" position.
3. Insert standard tape into the video camera and set to "PLAY" position.
4. Press the "PLAY" button on the video camera or the remote control

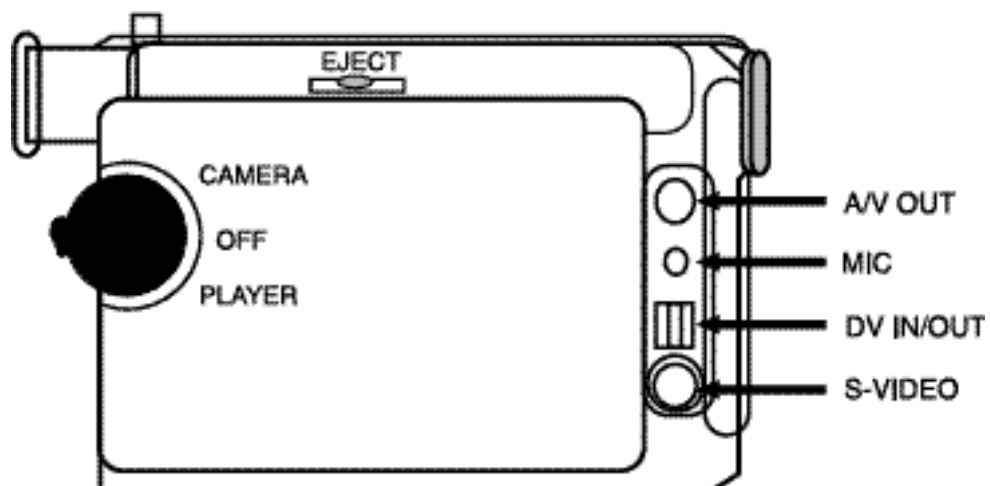
###### STEP 2

1. Press and hold the "F.ADV" button on the remote control and "ENTER" button on the video camera at the same time for more than 10 seconds.
2. When monitor OSD appears as shown below, VCR adjustment mode has been activated successfully.
3. When changing the adjustment item after the adjusted value is designated, press the "START/STOP" button.

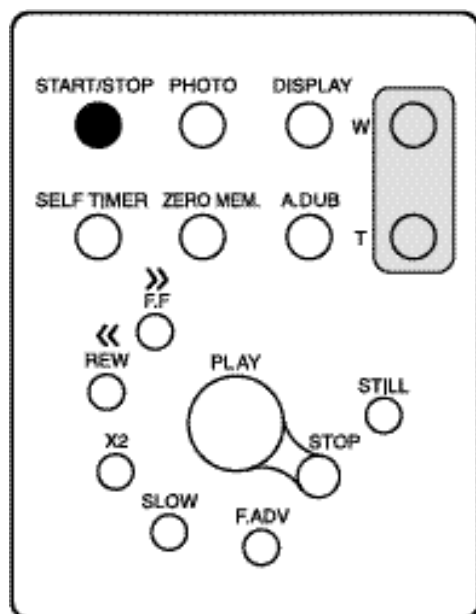




**Fig.1. RIGHT CASE**



**Fig.2. REMOCON KEY**



**STEP 3** . If you want to finish the adjustment mode, you have to do Power Reset.  
The Power Reset means that you pull out the power source and pull in it again.

### 3-1-2. VCR Adjustment

#### 1. VCR Adjustment Items

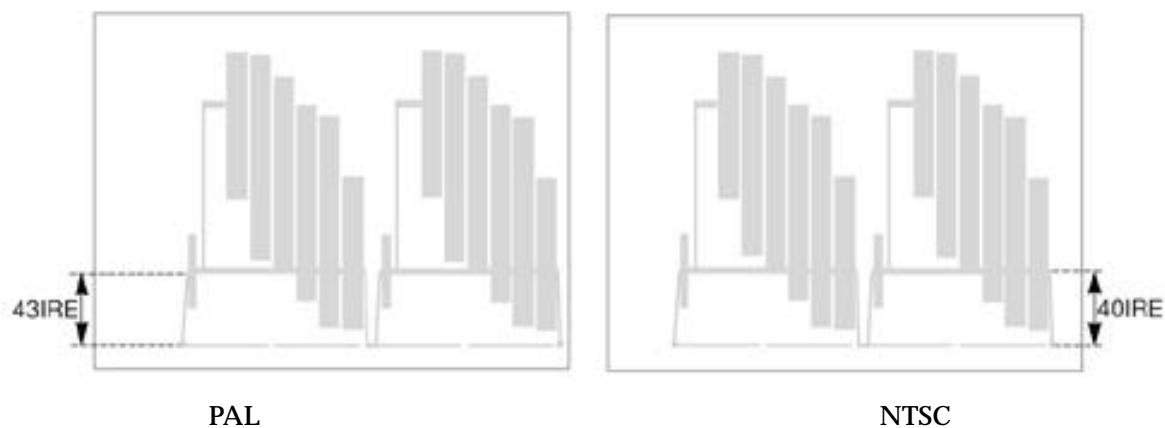
Items	Adj. value	Description
V-REF	Adjustment	Video reference
EXTRA	7D	Audio VCO PLL
RECCUR	80	REC current
A-REF1	80	Audio 48KHz mode
A-REF2	80	Audio 44.1KHz mode
A-REF3	80	Audio 32KHz mode
HDSWP	Adjustment	Head Adjust switch
ZOOMVR	Adjustment	Adjust center value in the ZOOM switch
OPTION	MODELOPTION	RESERVED(fixed value)
DUBCUR	80	DUB REC CURRENT

#### \* MODELOPTION

Model	Adj.value	Model	Adj.value
VP-D70	O2	SC-D70	O6
VP-D73	C2	SC-D73	C6
VP-D75	CA	SC-D75	CE
VP-D77	D2	SC-D77	D6

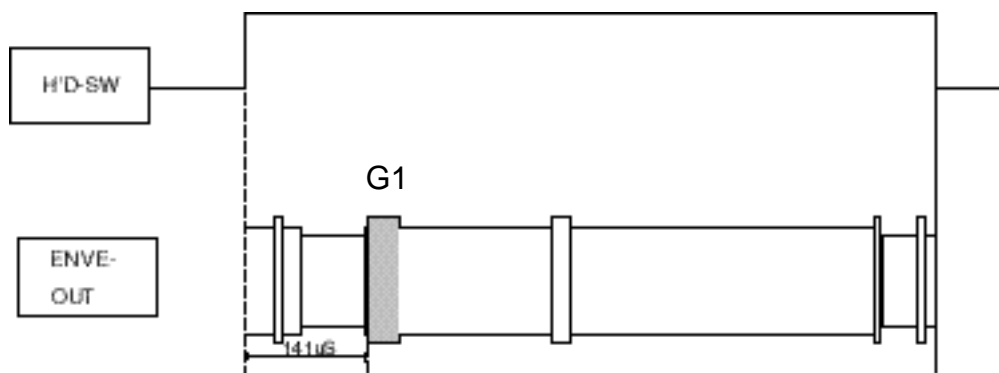
#### 2. How to adjust Video-Reference (V-REF).

- 1) Connect video output cable to wave form scope. The wave form scope must be connected to monitor.  
(75 termination)
- 2) Set to the VCR adjustment mode.
- 3) Adjust VREF so that SYNC level of video output signal is PAL(43 IRE) and NTSC(40 IRE).

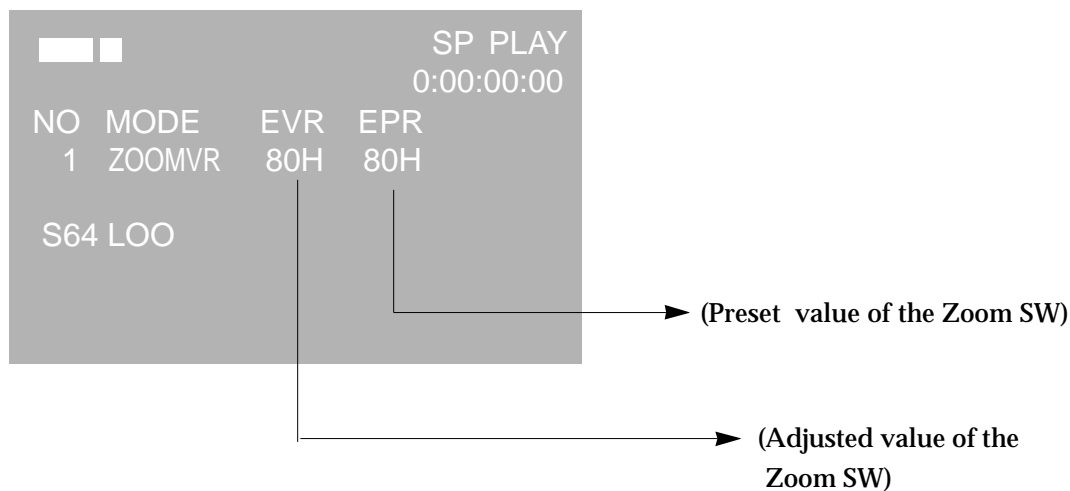


### 3. How to adjust Head Switching (HDSWP)

- 1) Connect No. 2 pin of WAFER CNR02 (HEAD-SW signal) for adjustment to CH1 of oscilloscope.
- 2) Connect No. 3 pin of WAFER CNR02 (ENVE-OUT signal) for adjustment to CH2 of oscilloscope.
- 3) Play standard tape.
- 4) Select HDSW of the video adjustment mode.
- 5) Adjust so that the time between HEAD-SW START and G1 START OF ENVE-OUT is  $141\mu\text{s}$  ( $\pm 10\mu\text{s}$ ).



### 4. Center Value Adjustment of Zoom Switch



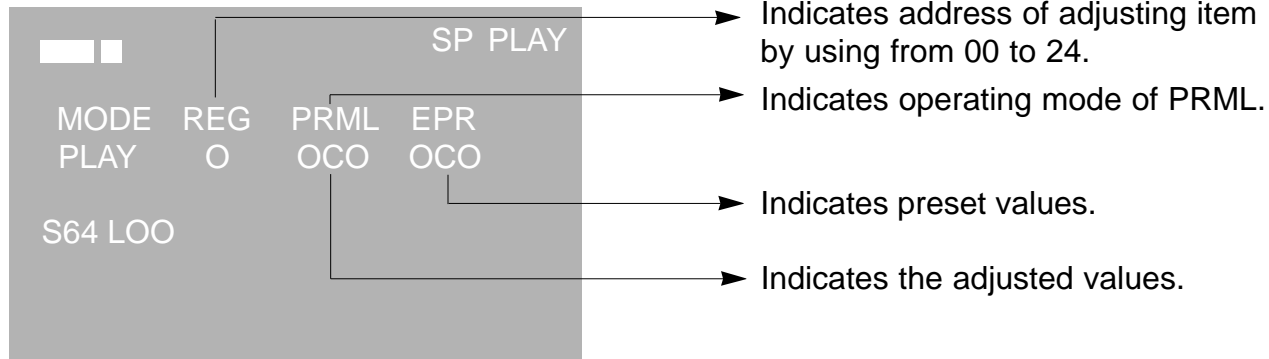
- 1) Select ZOOMVR in the video adjustment mode.
- 2) Adjust ZOOM SW so that the switch is put in the middle of T and W.
- 3) Adjust ZOOMVR so that the current value of ZOOM SW is equal to the adjusted ZOOMVR value.

### 3-1-3. PRML Adjustment Preparation

#### 1. How to set up PRML Adjustment Mode

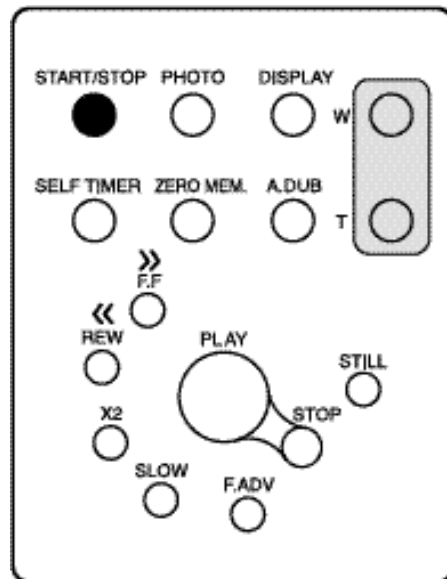
##### PRML Adjustment Setup

1. Press the Display button in VCR adjustment mode.
2. When monitor OSD appears as shown below, PRML adjustment mode has been activated successfully.



#### 2. Remote Control Button Location

##### Remote Control



3. Press the Address selection button (START/STOP button) to skip the next address in order to finish the adjustment and store data. After finishing the adjustment, you have to do power reset.

\* The PRML BER will be set to the right adjustment when shipping out video camera and PCB ASSY from factory.

### 3-1-4. PRML Adjustment

#### 1. How to set up PRML Adjustment Mode

Address	Name	MODE				
		SP		LP	VP	
		PB	SEARCH/SLOW	PB	SEARCH	SLOW
00	PGC/SQPI/FIRO	0C0	0C0	0C0	0C0	0C0
01	IDO/DOD/ATFAQ/FIR4	000	000	000	000	000
02	GDH0/FIR1H0	300	300	7C0	7C0	7C0
03	GDH1/FIR1H1	300	300	7C0	7C0	7C0
04	LPGC/DATF/PGCEN/TDOI/FIR3H0	400	400	400	400	400
05	BPGC/FCLP/FIR3H1	600	600	500	500	500
06	LTG/LPGC/BPLG/TC13/TC2/FIR2	805	805	805	805	805
07	ATFFC/DOHG/ATFHG/HGSEL/SLEEP	#00	#00	#00	#C0	#80
08	DDOSC/SEFTH/DLZI/TADAPT/VIT	21E	A1E	228	A28	A28
09	ATFSEL/SYMC/DAMP	223	223	223	223	223
0A	EZCNT/LPFBYP/PDTST/...	004	004	2CA	200	200
0B	HLD/FCHO/BSTH0	22A	28A	2CA	28A	28A
0C	CMXEN/FCH1/BSTH1	22A	28A	865	28A	28A
0D	ATGH0/DOGCH0/TP1SEL	F65	865	F65	F55	F55
0E	ATGCH1/DOGCH1/TSEL	860	860	860	850	850
0F	FRQ/RLZSEL/...	00F	00F	00F	00F	00F
24	AE/DZ/INTL/.../TWR	FA2	7A2	FAF	7AF	7AF

#### 2. BER Adjustment Specifications (Reference)

1) Get into the VCR adjustment mode.

;Press and hold the "F.ADV" button on the remote control and "ENTER" button on the video camera at the same time for more than 10 seconds.

2) Turn off Adaptive. ....7A2 ;REG24

3) Find out the optional minimum BER value in REG. 12 BOOST.

start values .....28A ;REG12

The optimum means the number error is less than 10 EA. ;Current SC-D70/VP-D70 manufacturing standard

If the minimum value is as the followings, designate as the right values.

Min ..... ;Selection valueless

less than 18 .....18 ;REG12===24A

19 .....19 ;REG12===26A

20 .....20 ;REG12===28A

4) Find out the optimally minimum BER value in REG. 11 BOOST.

start values .....28A

The optimum means the number of error is less than 10 EA.

;REG11

;Current SC-D70/VP-  
D70 manufacturing  
standard

If the minimum value is as the followings, designate as the right values.

[Add +2 to select the one.]

Min .....

;Selection valueless

less than18 .....18

;REG11 ===24A

19 .....19

;REG11 ===26A

20 .....20

;REG11 ===28A

21 .....21

;REG11 ===2AA

5) Turn on Adaptive. ....

;REG24 ===FA2

6) Check the value is input to unit correctly.

## 3-2 Camera Adjustment

---

Note: How to adjust the camera system.

- 1) EEPROM stores confirmed adjustment value of each adjustment step.
- 2) DSP (Digital Signal Process : ICP04-MAIN BOARD) digitalizes the camera signal.
- 3) When changing IC404-MAIN BOARD of EEPROM, readjust main board. While changing LCD board- and EVF board- always readjust each part.  
Since EEPROM stores confirmed adjustment value of each adjustment step, readjusting must be performed in order to store the changed data.
- 4) Adjust the following items after changing LENS ASSY.
  - a. LENS ZOOM TRACK
  - b. AUTO HALL
  - c. AUTO IRIS
- 5) Adjust the following items after changing EEPROM and MAIN BOARD.
  - a. LENS ZOOM TRACK
  - b. AUTO HALL
  - c. AE TARGET
  - d. AUTO GAIN CONTROL
  - e. AUTO IRIS
  - f. AUTO WHITE BALANCE (indoor)
  - g. AUTO WHITE BALANCE (outdoor)

### 3-2-1 Adjustment Preparation

#### 1. Measuring Instrument

- 1) DC power supply
- 2) Oscilloscope
- 3) PAL vectorscope, NTSC Vectorscope
- 4) PAL wave form monitor, NTSC wave fonitor
- 5) PAL TV or monitor, NTSC TV or monitor
- 6) Color bar chart  
Gray scale chart

#### 2) Camera Pcb configuration

- 1) Main PCB
- 2) CCD PCB
- 3) EVF PCB
- 4) LCD PCB

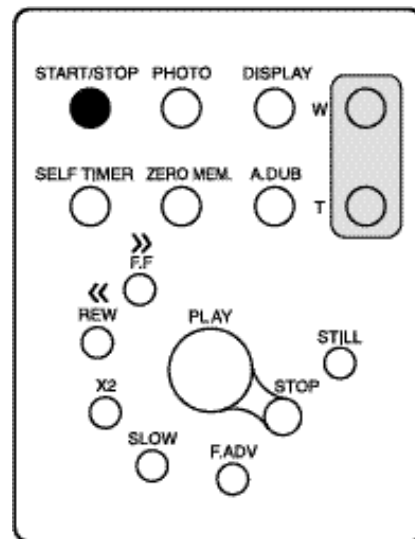
#### 3. Before you start

- 1) Use the buttons on the remote control when adjusting camera.
- 2) Press the "START/STOP" button when storing confirmed adjustment value of each adjustment step in EEPROM.
- 3) There is a flicker on screen after finishing each adjustment step.
- 4) To clear the adjustment mode, pull out the power source.

#### 4. Functions of each button on the Remote Control

Button	Description
START/STOP (Confirm)	Stores changed value in the adjustment and auto adjustment mode.
STOP (Data Down)	Changes data in the adjustment state.
PLAY (Data Up)	
FF (Mode Up)	Changes mode.
REW (Mode Down)	
SELF TIMER	Pre-confirm

In adjustment mode, the buttons of the remote control is as the followings.



Note: In service adjustment mode, button names are different from those in customer function control mode.

e.g.) "START/STOP" is the same as "Confirm".

#### 5. How to set up the camera adjustment mode

##### STEP 1

- 1) Connect the power source (battery/DC cable).
- 2) Open Housing from video camera.
- 3) Set the "POWER(CAMERA/PLAYER)" switch to "CAMERA" position.
- 4) The OSD appears.

##### STEP 2

Press and hold the "EDIT(+)" button and "ENTER" button on the video camera at the same time for more than 5 seconds.

##### STEP 3

Monitor OSD shows "16D XX XX". Then camera adjustment mode has been activated successfully.

Note : "XX" indicates variable values.



Address	SC-D67/70	VP-D70	NAME
0	0	0	H1_INV
1	0	0	HCNT_SET
2	0	0	H1_DLY
3	0	4	SHP_DLY
4	0	0	ADCLK_DLY
5	0	0	SHP_WITH
6	A7	A6	V_SKIP
7	0	0	FLD_INV
8	0	0	Hi_SHUT_VAL
9	0	0	Lo_SHUT_VAL
A	5	5	FCM_Addr_Lo
B	0	0	FCM_Addr_Hi
C	1	1	ITUR601
D	0	3	RG_SEL
E	0	0	DAC0_PIN51
F	0	0	DAC1_PIN52
10	FF	FF	H_ZM_RATIO
11	8	0	H_ZM_START
12	0	0	H_ZM_SUB
13	0	0	V_ZM_RATIO
14	1	1	V_ZM_SUB_Odd
15	5	4	V_ZM_SKIP
16	0	0	YC_DLY
17	40	40	Linear/Spline
18	1	1	UVCLK_INV
19	B5	B5	H_Mirr_Addr
1A	68	68	F_Mirr_Addr
1B	C0	0	H_MOSAIC
1C	C0	C0	V_MOSAIC
1D	38	38	HSIZE_AUTO_ZM
1E	38	38	VSIZE_AUTO_ZM
1F	0	0	H1_INV
20	10	13	ADCLK_DLY
21	FB	FB	P_OFFSET
22	0	0	P_THR
23	0	0	P_RAM_Hi
24	0	0	P_RAM_Mdl
25	0	0	P_RAM_Lo
26	20	20	P_FIND_CNT
27	0	0	P_WH_START
28	0	0	P_WH_END
29	0	0	P_WV_START
2A	0	0	P_WV_END
2B	0	0	P_TEST
2C	0	0	PATTERN_GEN
2D	0	0	
2E	0	0	
2F	0	0	
30	AD	AD	YV_APT_BKTH
31	E	E	YH_APT_GN_POSI

Address	SC-D67/70	VP-D70	NAME
32	CE	CE	YV_APT_GN_POSI
33	2	2	YAPT_NSlice
34	D8	D8	Y_Hi_REF
35	68	68	EDGE_REF
36	E0	E0	YV_APT_LPF_SEL
37	6	6	YAPT_NS_AftGMA
38	F8	F8	YWC
39	7C	7C	Y_APT_Clip
3A	62	62	YD_ENH_TH/GAIN
3B	B9	A9	YV_APT_GN_NEGA
3C	69	69	YH_APT_GN_NEGA
3D	8F	8F	HiFALL/EGFALL
3E	0	0	
3F	0	0	
40	98	98	Y_GAIN
41	90	90	DSE_Y_GAIN
42	8A	8E	C_GAIN
43	0	0	YART
44	C0	C0	YH_PST/EMBO_GN
45	52	52	PSTL_OFFET
46	35	35	EMBO_OFFSET
47	60	60	GRP_DLY
48	0	0	
49	0	0	
4A	0	0	
4B	0	0	
4C	0	0	
4D	0	0	
4E	0	0	
4F	0	0	
50	A8	A8	DYV_APT_BKTH
51	C	C	DYHAPT_GN_POSI
52	50	50	DYHAPT_GN_NEGA
53	C	C	DYVAPT_GN_POSI
54	B0	A0	DYVAPT_GN_NEGA
55	10	10	DY_APT_NSlice
56	70	70	DY_APT_Clip
57	0	0	DYHiLight_GN
58	6	6	DYAPT_NS_GAM
59	62	62	DYDet_EN_TH/GN
5A	10	10	DYVAPT_LPF_SEL
5B	36	36	DWH_START
5C	A5	A5	DWH_END
5D	2D	2D	DWV_START
5E	7F	7F	DWV_END
5F	0	0	
60	6	6	S1/S2_SEL
61	46	46	CR_COEF
62	66	66	CB_COEF
63	A	8	CRDS

Address	SC-D67/70	VP-D70	NAME
64	0	6	CBDS
65	0	0	CGDS
66	0	0	CRCB_WB_Hi
67	32	4C	CRWB
68	AC	B5	CBWB
69	24	20	CGWB
6A	59	59	CRRG
6B	D9	D9	CBRG
6C	F2	F2	CRBG
6D	72	72	CBBG
6E	0	0	
6F	0	0	
70	90	9C	C_RY_GP
71	90	88	C_RY_GN
72	12	28	C_RY_HP
73	12	12	C_RY_HN
74	5E	70	C_BY_GP
75	58	68	C_BY_GN
76	17	5	C_BY_HP
77	A	8	C_BY_HN
78	8	0	C_KEY_Slope1
79	10	0	C_KEY_Slope2
7A	0	0	CKEY_Slpe12_Hi
7B	0	0	C_HUE_FIX
7C	0	0	
7D	0	0	
7E	0	0	
7F	0	0	
80	2	2	Y_GAMMA1
81	7	7	Y_GAMMA2
82	12	12	Y_GAMMA3
83	28	28	Y_GAMMA4
84	44	44	Y_GAMMA5
85	68	68	Y_GAMMA6
86	9A	9A	Y_GAMMA7
87	EA	EA	Y_GAMMA8
88	2	2	C_GAMMA1
89	7	7	C_GAMMA2
8A	12	12	C_GAMMA3
8B	28	28	C_GAMMA4
8C	44	44	C_GAMMA5
8D	68	68	C_GAMMA6
8E	9A	9A	C_GAMMA7
8F	EA	EA	C_GAMMA8
90	48	47	AF_W1H_STRT
91	B0	AF	AF_W1H_END
92	23	2A	AF_W1V_STRT
93	5A	6C	AF_W1V_END
94	14	13	AF_W2H_STRT
95	E4	E3	AF_W2H_END

Address	SC-D67/70	VP-D70	NAME
96	8	9	AF_W2V_STRT
97	76	8E	AF_W2V_END
98	14	13	AE_W1H_STRT
99	E4	E3	AE_W1H_END
9A	8	9	AE_W1V_STRT
9B	76	8E	AE_W1V_END
9C	48	47	AE_W2H_STRT
9D	B0	AF	AE_W2H_END
9E	23	2A	AE_W2V_STRT
9F	5A	6C	AE_W2V_END
A0	17	16	AWB_H_STRT
A1	E7	E6	AWB_H_END
A2	8	9	AWB_V_STRT
A3	76	8E	AWB_V_END
A4	FF	FF	AE_THR_HiGH
A5	0	0	AE_THR_LOW
A6	B0	A0	AWB_THR_HiGH
A7	40	40	AWB_THR_LOW
A8	B0	B0	AF_Clip_THR
A9	F0	F0	AE_Clip_THR
AA	4	4	OZONE_SEL
AB	0	0	
AC	0	0	
AD	0	0	
AE	0	0	
AF	0	0	
B0	0	0	DIS-DIS ON
B1	98	98	DIS-FRAME
B2	80	C0	DIS-DVC
B3	0	0	DIS-KX
B4	0	0	DIS-KY
B5	86	8C	DIS_SP_H
B6	14	19	DIS_SP_V
B7	D2	D2	DIS_WIDTHL
B8	2	2	DIS_WIDTHH
B9	F2	20	DIS_HEIGHTL
BA	0	1	DIS_HEIGHTH
BB	50	4A	DIS_PIP_HSPL
BC	2	2	DIS_PIP_HSPH
BD	90	A7	DIS_PIP_VSPL
BE	0	0	DIS_PIP_VSPH
BF	2F	2F	DIS_PBOX_HSPL
C0	2	2	DIS_PBOX_HSPH
C1	BF	BF	DIS_PBOX_VSPL
C2	0	0	DIS_PBOX_VSPH
C3	2	2	DIS_PIP_DSP_HADJ
C4	2	2	DIS_PIP_DSP_VADJ
C5	0	0	DIS_PBOX_DSP_HADJ
C6	0	0	DIS_PBOX_DSP_VADJ
C7	66	6B	DIS_OUT_OFF

Address	SC-D67/70	VP-D70	NAME
C8	66	6B	DIS_OUT_OFF1
C9	5	5	DIS_GR_MODE
CA	14	13	DIS_CLK2_SEL
CB	80	C0	DIS_SIS2_SEL0
CC	25	25	DIS_OSD_SEL
CD	0	0	DIS_PIP_SIS2_SEL
CE	70	76	DIS_DCLP_R
CF	78	7E	DIS_DCLP_F
D0	4	8	DIS_YHAFS
D1	C0	C0	DIS_APCLP
D2	8	8	DIS_APSC
D3	0	0	DIS_ECST
D4	0	0	DIS_ECSG
D5	83	83	DIS_G1
D6	8F	8D	DIS_G0
D7	0	0	DIS_HUE1_OFF
D8	0	0	DIS_ECHUE1
D9	0	0	DIS_ECHUE2
DA	10	10	DIS_APSCV
DB	F0	F0	DIS_WV1
DC	90	90	DIS_WH1
DD	4	4	DIS_OVERLAY
DE	0	0	DIS_T0
DF	10	10	DIS_MAN_T0
E0	2	2	DIS_TIIR_TH
E1	0	0	DIS_LINEAR
E2	0	0	DIS_GA0
E3	8	8	DIS_GA1
E4	10	10	DIS_GA2
E5	18	18	DIS_GA3
E6	20	20	DIS-GA4
E7	30	30	DIS_GA5
E8	40	40	DIS_GA6
E9	60	60	DIS_GA7
EA	7F	7F	DIS_GA8
EB	0	0	DIS_GB0
EC	8	8	DIS_GB1
ED	10	10	DIS_GB2
EE	18	18	DIS_GB3
EF	20	20	DIS_GB4
F0	30	30	DIS_GB5
F1	40	40	DIS_GB6
F2	60	60	DIS_GB7
F3	7F	7F	DIS_GB8
F4	43	43	DIS_SP_HM
F5	14	1A	DIS_SP_VM
F6	DC	7	DIS_HEIGHTML
F7	0	1	DIS_HEIGHTMH
F8	C6	F6	DIS_WIDTHML
F9	2	2	DIS_WIDTHMH

Address	SC-D67/70	VP-D70	NAME
FA	FB	FB	DIS_KXMD
FB	FB	FB	DIS_KYMD
FC	F7	F7	DIS_OSD_MODE
FD	C1	C1	DIS_DIS_ENX
FE	0	0	DIS_OXL
FF	0	0	DIS_OXH
100	0	0	DIS_OY
101	0	0	DIS_CX
102	0	0	DIS_CY
103	22	22	DIS_AX/AY
104	33	33	DIS_AUTO_CENT
105	88	88	DIS_VGGAINX
106	21	21	DIS_VGSTEP
107	48	48	DIS_THR_SEL
108	11	11	DIS_CXY_BIAS
109	A5	A5	DIS_MATCHX_EN
10A	A5	A5	DIS_MATCHY_EN
10B	68	68	DIS_SHMFBC
10C	E0	E0	DIS_MVIIR_EN
10D	24	24	DIS_OZNSEL
10E	73	8A	DIS_OAEVE_WB
10F	1D	21	DIS_OAEVS_WB
110	E5	E6	DIS_OAEHE_WB
111	15	19	DIS_OAEHS_WB
112	57	69	DIS_OAEVE_WA
113	21	27	DIS_OAEVS_WA
114	B1	B2	DIS_OAEHE_WA
115	49	4C	DIS_OAEHS_WA
116	57	69	DIS_OAFVE_W2
117	21	27	DIS_OAFVS_W2
118	B1	B2	DIS_OAFHE_W2
119	49	4C	DIS_OAFHS_W2
11A	73	8A	DIS_OAFVE_W1
11B	6	6	DIS_OAFVS_W1
11C	E5	E6	DIS_OAFHE_W1
11D	15	19	DIS_OAFHS_W1
11E	0	0	DIS_OYL_TH
11F	FF	FF	DIS_OYH_TH
120	80	80	DIS_OAECLIP_TH
121	F0	F0	DIS_OAFCLIP_TH
122	0	0	DIS_PFCNT_M1
123	10	10	DIS_PTHRESH
124	0	0	DIS_POFFSET
125	3	3	DIS_PCMD
126	0	0	DIS_PRAMIL
127	0	0	DIS_PRAMIM
128	0	0	DIS_PRAMIH
129	0	0	DIS_PRAMA_M1
12A	0	0	
12B	0	0	

Address	SC-D67/70	VP-D70	NAME
12C	0	0	
12D	0	0	
12E	0	0	
12F	0	0	
130	0	0	CDS_CONTROL1H
131	0	0	CDS_CONTROL1L
132	0	0	CDS_AGCH
133	85	85	CDS_AGCL
134	0	0	CDS_HALL_GAINH
135	25	25	CDS_HALL_GAINL
136	0	0	CDS_HALL_REFH
137	C8	C8	CDS_HALL_REFL
138	0	0	CDS_COARSE_OFFSETH
139	0	0	CDS_COARSE_OFFSETL
13A	0	0	CDS_FINE_OFFSETH
13B	0	0	CDS_FINE_OFFSETL
13C	0	0	CDS_VBH
13D	0	0	CDS_VBL
13E	0	0	CDS_OPTBLACKH
13F	4	4	CDS_OPTBLACKL
140	0	0	CDS_HOT_PIXELH
141	1	1	CDS_HOT_PIXELL
142	0	0	CDS_COLD_PIXELH
143	0	0	CDS_COLD_PIXELL
144	0	0	CDS_CONTROL2H
145	4	4	CDS_CONTROL2L
146	0	0	CDS_BLANKH
147	0	0	CDS_BLANKL
148	0	0	CDS_DLY1_ADCLKH
149	0	0	CDS_DLY1_ADCLKL
14A	0	0	CDS_DLY2_SV_SRH
14B	0	0	CDS_DLY2_SV_SRL
14C	1	1	CDS_TESTH
14D	80	80	CDS_TESTL
14E	0	0	
14F	0	0	
150	0	0	MOTOR_HEADER
151	18	18	MOTOR_STARTTIME
152	1	1	MOTOR_DRIVETIME
153	8	8	MOTOR_CHOPPING
154	40	40	MOTOR_EXTPIN
155	44	44	MOTOR_EVRA
156	44	44	MOTOR_EVRB
157	0	0	MOTOR_CHECKSUM
158	0	0	
159	0	0	
15A	0	0	
15B	0	0	
15C	0	0	
15D	0	0	

Address	SC-D67/70	VP-D70	NAME
15E	0	0	
15F	0	0	
160	80	88	D_EEP_IRISCONH
161	FF	FF	D_EEP_IRISCONL
162	90	8E	EEP_ae_iris95ire
163	37	45	D_EEP_ae_target
164	11	15	D_EEP_ae_blc_target
165	20	2A	D_EEP_ae_hallmin
166	EF	D1	D_EEP_ae_hallmax
167	65	6A	D_EEP_ae_irismin
168	E2	CF	D_EEP_ae_irismax
169	26	24	D_EEP_ae_agcmin
16A	7C	7C	D_EEP_ae_agcmax
16B	10	10	D_EEP_ae_hallgainstr
16C	A4	A4	D_EEP_ae_halldiftar
16D	50	50	D_EEP_ae_agcmaptarget
16E	38	38	D_EEP_ae_tarpecnt
16F	20	22	BLC_target_percent
170	30	30	AE_clp_tar_ratio
171	1	1	AE_clp_tar_decmax
172	3F	3C	D_EEP_ae_startagc
173	CC	CC	D_EEP_ae_end_hvcore
174	44	44	D_EEP_ae_end_hgain
175	84	84	D_EEP_ae_end_vgain
176	18	18	D_EEP_ae_end_slice
177	2C	29	D_EEP_ae_csuppress
178	48	48	Iris_value(afhall)
179	90	90	AE_Hall_Adj
17A	14	14	AE_tar_marginsht
17B	6	6	AE_tar_margin
17C	F	F	AE_agcupstr
17D	2	2	AE_agcupamount
17E	8	8	DSP P_OFFSET cont
17F	4	4	EEP_AE_agcupsped
180	8	8	EEP_AE_method
181	0	0	EEP_AE_speed_down1
182	A	A	Iris control speed
183	5	4	EEP_AE_speed_down2
184	4E	4E	EEP_AE_damp_point
185	10	10	shutter control speed
186	10	10	AGC control speed
187	C6	E9	EEP_AE_datamax
188	60	50	EEP_AE_BLC_datamax
189	7	7	AE_adjtarh
18A	C1	C9	YV_APT_GN_NEGA
18B	89	A9	YH_APT_GN_NEGA
18C	AD	AD	D_EEP_ae_end_hvcore
18D	0	0	D_DSP_POFFSET_TEST
18E	A0	A0	D_EEP_AE_haldifmin
18F	5	5	Tele_AE_Target



Address	SC-D67/70	VP-D70	NAME
190	AA	AD	D_EEP_awb_b_3100
191	35	4F	D_EEP_awb_r_3100
192	5F	5D	D_EEP_awb_b_5100
193	58	89	D_EEP_awb_r_5100
194	A0	A3	AWB_3100_B_maxclip
195	82	B2	AWB_5100_R_maxclip
196	C8	88	AWB_tracking
197	4D	49	EEP_awb_hall_outdoor
198	EC	10	D_EEP_awb_margin_right
199	21	21	WB_BR_Slop
19A	86	5	D_EEP_awb_b_start
19B	86	1	D_EEP_awb_r_start
19C	8A	86	awb_b_gain_pecnt
19D	87	87	awb_r_gain_pecnt
19E	12	12	awb_rhuen_5100
19F	12	A	awb_rhuep_5100
1A0	12	0	awb_bhuen_5100
1A1	28	0	awb_bhuep_5100
1A2	E	E	WB_Left_margin
1A3	8	14	WB_Right_margin
1A4	76	76	WB_detect_ratio
1A5	20	20	WB_tracking speed
1A6	19	20	AWB_3100_R_contup_slop
1A7	60	60	WB_Adj_start
1A8	60	60	WB_Adj_clip
1A9	5E	76	WB_STOP_Release
1AA	A	A	D_EEP_AWB_y_divide
1AB	5	4	D_EEP_awb_b3100_move
1AC	3	0	D_EEP_awb_r3100_move
1AD	0	80	D_EEP_awb_b5100_move
1AE	0	2	D_EEP_awb_r5100_move
1AF	30	30	D_EEP_awb_stable_threshold
1B0	16	17	D_EEP_ZPHOTOH
1B1	FC	12	D_EEP_ZPHOTOL
1B2	11	11	D_EEP_FPHOTOH
1B3	79	7C	D_EEP_FPHOTOL
1B4	0	FF	D_EEP_FTELEERRH
1B5	9	EA	D_EEP_FTELEERRL
1B6	0	0	D_EEP_FWIDEERRH
1B7	29	24	D_EEP_FWIDEERRL
1B8	6	6	D_EEP_ztzzver
1B9	80	80	D_EEP_af_top_thr
1BA	7E	7E	EEP_zmacro
1BB	5A	5A	EEP_ztrack_hall
1BC	18	18	AF_Low_ratio
1BD	D	D	EEP_AF_fend_bound
1BE	CA	8A	D_Mask_AF_Option
1BF	54	54	AF_ZigZag_threshold
1C0	A	A	AF_Top_threshold
1C1	4	4	AF_noise cutoff

Address	SC-D67/70	VP-D70	NAME
1C2	18	18	AF clip data threshold
1C3	1	1	Zoom track version
1C4	20	30	ZTrack_iris_max/min
1C5	12	12	AF_Ratio_min
1C6	1E	1E	AF_Top_threshold
1C7	8	8	ZTrack_hysteresis
1C8	C	C	EEP_AF_spot_thr
1C9	3	3	EEP_AF_peak_judge
1CA	6	6	Lens_Adj_threshold
1CB	0	0	D_EEP_f4perrh
1CC	10	10	D_EEP_f4perrl
1CD	0	0	D_EEP_zoomhigh
1CE	40	40	D_EEP_macroarea
1CF	40	40	D_EEP_zzlongthres
1D0	72	87	D_EEP_wt_ve
1D1	5	5	D_EEP_wt_vs
1D2	DF	DB	D_EEP_wt_he
1D3	16	16	D_EEP_wt_hs
1D4	70	70	D_EEP_wt_agc
1D5	4	4	D_EEP_wt_repeat
1D6	10	10	D_EEP_wt_poffset
1D7	1	1	D_EEP_CDS_weight
1D8	6	6	D_EEP_awbhalleff1
1D9	1	1	D_EEP_awbhalleff2
1DA	10	10	D_EEP_awbhlength
1DB	2	8	D_EEP_awb_outclip
1DC	0	0	
1DD	0	0	
1DE	A8	84	D_EEP_ae_agcstart
1DF	28	28	D_EEP_awb_inittime
1E0	D8	D8	DIS_FRAME/STILL(B1 $\pi^-_i$ )
1E1	C8	C8	DIS_S1S2_SEL0(CB $\pi^-_i$ )
1E2	0	0	DIS_TO(DE $\pi^-_i$ )
1E3	0	0	DIS_MAN_TO(DF $\pi^-_i$ )
1E4	2	2	DIS_TIIR_TH(E0 $\pi^-_i$ )
1E5	CC	CC	DIS_S1S2_SEL0(CB $\pi^-_i$ )
1E6	5	5	DIS_GR_MODE(C9 $\pi^-_i$ )
1E7	66	6B	DIS_OUT_OFF(C7 $\pi^-_i$ )
1E8	98	98	DIS_FRAME/STILL(B1 $\pi^-_i$ )
1E9	80	E0	DIS_S1S2_SEL0(CB $\pi^-_i$ )
1EA	AA	AA	DIS_TO(DE $\pi^-_i$ )
1EB	0	0	DIS_MAN_TO(DF $\pi^-_i$ )
1EC	0	0	DIS_TIIR_TH(E0 $\pi^-_i$ )
1ED	66	6B	DIS_OUT_OFF1(C8 $\pi^-_i$ )
1EE	80	88	EEP_LowShut_cb_stil(CB)
1EF	80	88	EEP_LowShut_cb_stop(CB)
1F0	ED	ED	D_EEP_dis_dzstr
1F1	D5	D5	D_EEP_dis_dztele
1F2	D4	D4	D_EEP_dis_dzend
1F3	EA	EA	D_EEP_dis_wide_dz

Address	SC-D67/70	VP-D70	NAME
1F4	F8	F8	D_EEP_wide_dz
1F5	FA	FA	D_EEP_dis_dz(A)
1F6	F6	F6	D_EEP_dis_dz(B)
1F7	21	21	wide_dz(A)_point
1F8	32	32	wide_dz(B)_point
1F9	72	72	wide_dz(C)_point
1FA	28	28	D_EEP_disdemo_spd
1F5	0	0	
1F6	0	0	
1F7	0	0	
1FE	0	0	
1FF	0	0	
200	98	98	DIS_FRAME/STILL(B1 $\pi$ $\hat{i}$ )
201	0	0	DIS_TO(DE $\pi$ $\hat{i}$ )
202	80	80	DIS_MAN_TO(DF $\pi$ $\hat{i}$ )
203	2	2	DIS_TIIR_TH(E0 $\pi$ $\hat{i}$ )
204	7	7	D_EEP_dis_agcstop
205	0	0	D_EEP_dis_shten
206	C	C	D_EEP_dis_weight
207	10	10	D_EEP_dis_thresh
208	7	7	DIS_VGGAINX_TELE
209	7	7	DIS_VGGAINX_MIDDLE
20A	1	1	DIS_VGGAINX_WIDE
20B	10	10	DIS_V(x)_Criterion_A
20C	20	20	DIS_V(x)_constant_C
20D	12	12	D_EEP_up_sht_agc
20E	31	31	D_EEP_down_sht_agc
20F	74	74	D_EEP_ae_agcmax_default
210	38	38	DSP_Hzoom_size
211	38	38	DSP_Vzoom_size
212	4	4	DSP_VSKIP_Default
213	0	0	MODE0_PIN38
214	80	80	EEP_Art_43
215	0	0	EEP_Emboss_43
216	5F	5F	EEP_Emboss_44
217	48	48	EEP_Emboss_46
218	AA	AA	EEP_Emboss_50
219	0	0	EEP_Emboss_51
21A	90	90	EEP_Emboss_52
21B	12	12	EEP_Emboss_53
21C	90	90	EEP_Emboss_54
21D	F	F	EEP_Emboss_55
21E	BF	BF	EEP_Emboss_56
21F	10	10	EEP_Emboss_57
220	18	18	EEP_Emboss_58
221	10	10	EEP_Emboss_59
222	0	0	EEP_Emboss_5A
223	20	20	EEP_Sepia_63
224	A0	A0	EEP_Sepia_72
225	3	3	D_EEP_still_cgain_n

Address	SC-D67/70	VP-D70	NAME
226	3	3	D_EEP_still_cgain_agc
227	0	0	D_EEP BW/MAKEUP_2
228	0	4	D_EEP BW/MAKEUP_3
229	0	0	D_EEP BW/MAKEUP_4
22A	A	A	LShutNORcsuppress
22B	2C	29	Lshutagc_csuppress
22C	74	74	ae_hall_limit_up
22D	68	68	ae_hall_limit_down
22E	2	2	D_EEP_zt_macro_zz
22F	0	0	
230	10	10	PI_one move zoom_H
231	0	0	PI_one move zoom_L
232	10	10	PI_one move focus_H
233	0	0	PI_one move focus_L
234	C	C	PI_lens check zoom 1
235	C	C	PI_lens check zoom 2
236	20	20	PI_lens check zoom 3
237	30	30	PI_lens check zoom 4
238	20	20	PI_lens check zoom 5
239	20	20	PI_lens check zoom 6
23A	3B	3B	PI_R out data
23B	73	73	PI_B out data
23C	92	92	PI_iris out data
23D	0	0	D_EEP_adj_out
23E	8	8	uart_baud
23F	1	0	D_EEP_MODEL
240	0	0	D_EEP_panel_addrh
241	B3	B4	D_EEP_panel_addrL
242	0	0	D_EEP_data_display
243	0	0	
244	0	0	EEPROM Initialize
245	0	0	
246	FF	FF	D_EEP_lensadj_iris2
247	A0	A0	D_EEP_lensadj_iris
248	38	38	D_EEP_IRIS_SPD1
249	50	50	D_EEP_IRIS_SPD2
24A	70	70	D_EEP_IRIS_SPD3
24B	40	40	D_EEP_IRIS_SPD4
24C	38	38	D_EEP_SHUTTUD_SPD1
24D	C8	C8	D_EEP_hallrefstart
24E	0	0	program version(M)
24F	0	0	program version(D)
250	A7	A6	D_EEF_LCD_06
251	1	1	D_EEF_LCD_2C
252	FF	FF	D_EEF_LCD_42
253	26	26	D_EEF_LCD_60
254	40	40	D_EEF_LCD_70
255	40	40	D_EEF_LCD_71
256	F8	F8	D_EEF_LCD_72
257	F8	F8	D_EEF_LCD_73

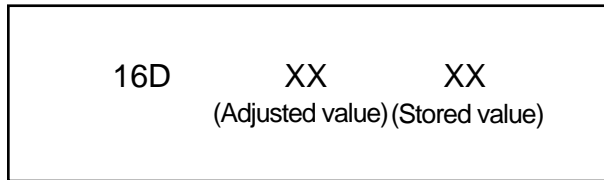
Address	SC-D67/70	VP-D70	NAME
258	40	40	D_EEF_LCD_74
259	40	40	D_EEF_LCD_75
25A	F8	F8	D_EEF_LCD_76
25B	F8	F8	D_EEF_LCD_77
25C	3B	3B	LCD_CRWB_67
25D	56	56	LCD_CBWB_68
25E	24	24	LCD_CGWB_69
25F	0	0	
260	0	0	SET_LENS_ADJ
261	0	0	SET_HALL_ADJ
262	90	90	SET_AE_TARGET_ADJ
263	0	0	SET_AGC_MAX_ADJ
264	0	0	SET_IRIS_ADJ
265	0	0	SET_3100K_ADJ
266	0	0	SET_5100K_ADJ
267	0	0	
268	0	0	PI_PROGRAM
269	0	0	PI_PROGRAM
26A	0	0	
26B	0	0	
26C	0	0	
26D	0	0	
26E	0	0	
26F	0	0	
270	30	30	Manual_iris25
271	40	40	Manual_iris26
272	50	50	Manual_iris27
273	60	60	Manual_iris28
274	6C	6C	Manual_iris29
275	0	0	
276	E9	E9	ZM table control
277	0	2	DIS POWER SAVE
278	0	0	
279	0	0	
27A	8	8	D_EEP_right_divid
27B	4	4	D_EEP_left_divid
27C	4	4	D_EEP_clip_threshold
27D	10	10	D_EEP_bover_length
27E	10	10	
27F	0	0	
280	0	0	
281	0	0	
282	0	0	
283	0	0	
284	0	0	
285	0	0	
286	0	0	
287	0	0	
288	0	0	
289	0	0	

---

Address	SC-D67/70	VP-D70	NAME
28A	0	0	
28B	0	0	
28C	0	0	
28D	0	0	
28E	0	0	
28F	0	0	
2F0	0	0	
2F1	0	0	
2F2	0	0	
2F3	0	0	
2F4	0	0	
2F5	0	0	
2F6	0	0	
2F7	0	0	
2F8	0	0	
2F9	0	0	
2FA	0	0	
2FB	0	0	
2FC	0	0	
2FD	0	0	
2FE	0	0	
2FF	0	0	

## 3-2-2 Camera Adjustment

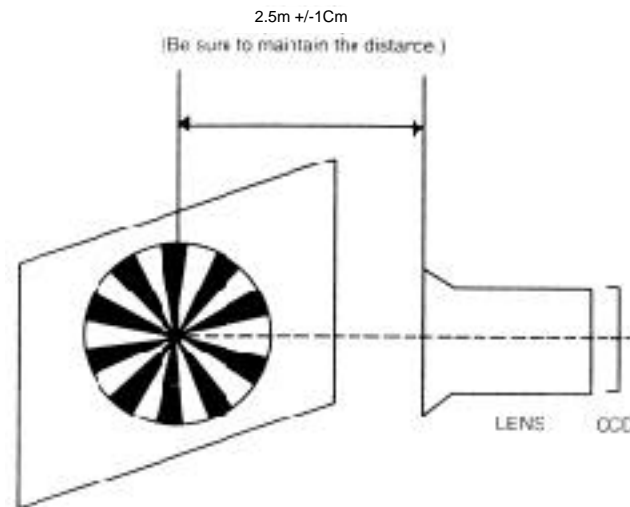
Note : "XX XX" indicate the previous preset value and adjusted value. Press the START/STOP (Confirm) button to store the adjusted value.



### 1. LENS ZOOM TRACK

Caution : For whole zoom range, it shall be in focus. The location of a focus lens is moving depending on the location of zoom lens. During adjusting, micom measures the focus location from a near distance to a long.

- 1) Camera is set to E-E mode.
- 2) Focus chart photo (the last page of manual)
- 3) Ensure that camera is left an about 2.5 m distance from a focus chart and the focus of lens is placed vertically. Attach a focus chart to white or gray wall of a flat surface.
- 4) Connect a video output terminal to a TV.
- 5) Press the FF(Mode Up)/REW(Mode Down) button so that OSD shows "260 XX XX".
- 6) Press the START/STOP (Confirm) button. Never impact on the lens when adjusting zoom and focus lens. There's is a flicker on screen after finishing the adjustment.

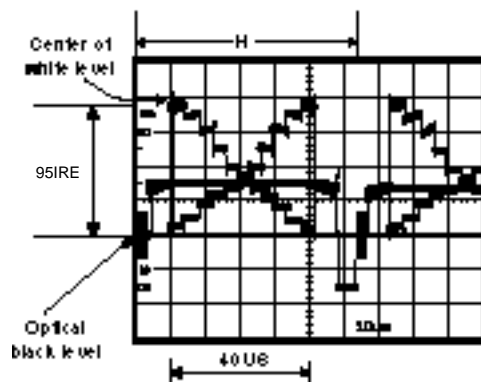


## 2. AUTO HALL

- 1) Camera mode & 3100° K gray scale chart
- 2) Connect a video output terminal to a TV.
- 3) Press the FF(Mode Up)/REW(Mode Down) button so that OSD shows "261 XX XX".
- 4) Press the START/STOP (Confirm) button.
- 5) Then micom finds out max. Hall value with an iris opened and min. Hall value with an iris closed. Store max. and min. value of Hall in 164 and 165 respectively.
- 6) There's is a flicker on screen after finishing the adjustment.

## 3. AE TARGET LEVEL

- 1) Camera mode & 3100° K gray scale chart
- 2) Connect a video output terminal to a wave form monitor and a TV.
- 3) Press the FF(Mode Up)/REW(Mode Down) button so that OSD shows "262 XX XX".
- 4) Press the SELF TIMER (PRE-CONFIRM) button.
- 5) Press the PLAY (Data Up)/STOP (Data Down) so that the signal level is 90IRE.
- 6) Press the START/STOP (Confirm) button.
- 7) There's is a flicker on screen after finishing the adjustment.

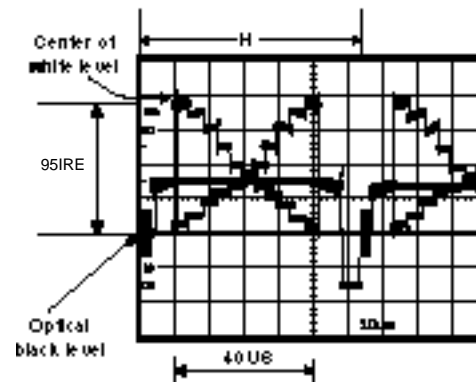


## 4. AUTO GAIN CONTROL

- 1) Camera mode & 3100° K gray scale chart
- 2) Connect a video output terminal to a wave form monitor and a TV.
- 3) Press the FF(Mode Up)/REW(Mode Down) button so that OSD shows "263 XX XX".
- 4) Press the START/STOP (Confirm) button. Then micom finds out the beginning value of AGC and stores the value in 16A
- 5) There's is a flicker on screen after finishing the adjustment.

## 5. AUTO IRIS LEVEL

- 1) Camera mode & 3100° K gray scale chart
- 2) Connect a video output terminal to a wave form monitor and a TV.
- 3) Press the FF(Mode Up)/REW(Mode Down) button so that OSD shows "264 XX XX".
- 4) Press the START/STOP (Confirm) button.
- 5) Then micom finds out max. Hall value with an iris opened and min. Hall value with an iris closed. Store max. and min. value of in 167 and 168 respectively.
- 6) There's is a flicker on screen after finishing the adjustment.





## 6. AUTO WHITE BALANCE (indoor)

- 1) Camera mode & 3100° K/5100° K gray scale chart
- 2) Connect a video output terminal to a vectorscope and a TV.
- 3) Press the FF(Mode Up)/REW(Mode Down) button so that OSD shows "265 XX XX".
- 4) Ensure that camera picks up image 40 $\mu$ s on 3100°K gray scale chart precisely and the illumination is 1500-2000 Lux.
- 5) Press the START/STOP (Confirm) button to ensure that white spot on a vectorscope is moving in the middle of screen.
- 6) There's is a flicker on screen after finishing the adjustment.

## 7. AUTO WHITE BALANCE (outdoor)

- 1) Camera mode & 3100° K/5100° K gray scale chart
- 2) Connect a video output terminal to a vectorscope and a TV.
- 3) Press the FF(Mode Up)/REW(Mode Down) button so that OSD shows "266 XX XX".
- 4) Ensure that camera picks up image 40 on 5100 gray scale chart (3100 gray scale chart + C16 filter) precisely and the illumination is 1500-2000 Lux.
- 5) Press the START/STOP (Confirm) button to ensure that white spot on a vectorscope is moving in the middle of screen.
- 6) There's is a flicker on screen after finishing the adjustment.

## 8. R-Y POSITIVE GAIN

- 1) Camera mode & 3100° K gray scale chart
- 2) Connect a video output terminal to a vectorscope and a TV.
- 3) Press the FF(Mode Up)/REW(Mode Down) button so that OSD shows "70 XX XX".

- 4) Ensure that camera picks up image on 3100° K color bar chart precisely and the illumination is 1500-2000 Lux.
- 5) Press the PLAY (Data Up)/STOP (Data Down) so that the red level is 70IRE.
- 6) Press the START/STOP (Confirm) button to store data.
- 7) There's is a flicker on screen after finishing the adjustment.



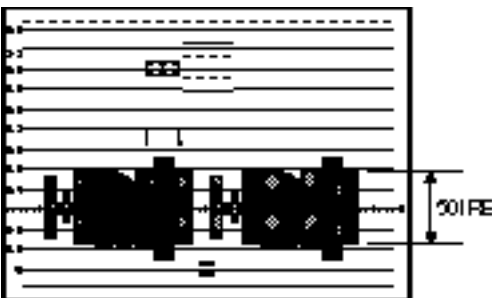
## 9. R-Y NEGATIVE GAIN

- 1) Camera mode & 3100° K gray scale chart
- 2) Connect a video output terminal to a vectorscope and a TV.
- 3) Press the FF(Mode Up)/REW(Mode Down) button so that OSD shows "71 XX XX".
- 4) Ensure that camera picks up image on 3100° K color bar chart precisely and the illumination is 1500-2000 Lux.
- 5) Press the PLAY (Data Up)/STOP (Data Down) so that the cyan level is 65IRE.
- 6) Press the START/STOP (Confirm) button to store data.
- 7) There's is a flicker on screen after finishing the adjustment.



## 10. B-Y POSITIVE GAIN

- 1) Camera mode & 3100° K gray scale chart
- 2) Connect a video output terminal to a vectorscope and a TV.
- 3) Press the FF(Mode Up)/REW(Mode Down) button so that OSD shows "74XX XX".
- 4) Ensure that camera picks up image on 3100° K color bar chart precisely and the illumination is 1500-2000 Lux.
- 5) Press the PLAY (Data Up)/STOP (Data Down) so that the blue level is 50IRE.
- 6) Press the START/STOP (Confirm) button to store data.
- 7) There's is a flicker on screen after finishing the adjustment.



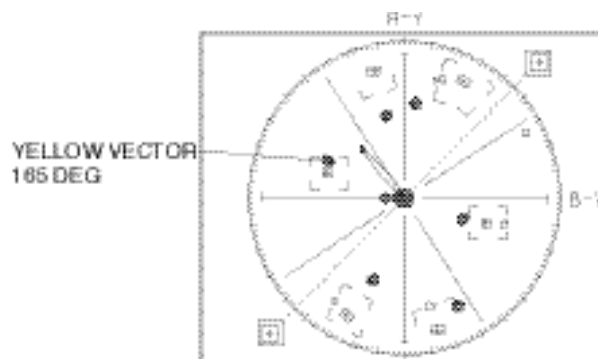
## 11. B-Y NEGATIVE GAIN

- 1) Camera mode & 3100° K gray scale chart
- 2) Connect a video output terminal to a vectorscope and a TV.
- 3) Press the FF(Mode Up)/REW(Mode Down) button so that OSD shows "75 XX XX".
- 4) Ensure that camera picks up image on 3100° K color bar chart precisely and the illumination is 1500-2000 Lux.
- 5) Press the PLAY (Data Up)/STOP (Data Down) so that the yellow level is 50IRE.
- 6) Press the START/STOP (Confirm) button to store data.
- 7) There's is a flicker on screen after finishing the adjustment.



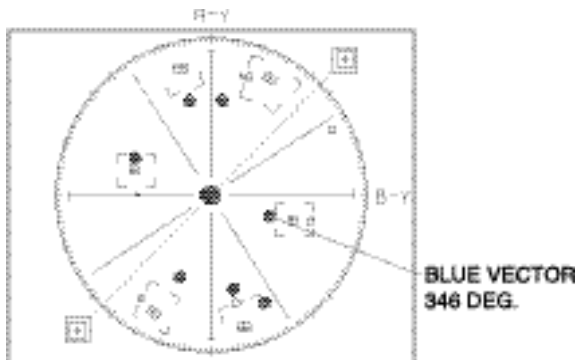
## 12. R-Y POSITIVE HUE

- 1) Camera mode & 3100° K gray scale chart
- 2) Connect a video output terminal to a vectorscope and a TV.
- 3) Press the FF(Mode Up)/REW(Mode Down) button so that OSD shows "72 XX XX".
- 4) Ensure that camera picks up image on 3100° K color bar chart precisely and the illumination is 1500-2000 Lux.
- 5) Press the PLAY (Data Up)/STOP (Data Down) so that the yellow vectors is 165° .
- 6) Press the START/STOP (Confirm) button to store data.
- 7) There's is a flicker on screen after finishing the adjustment.



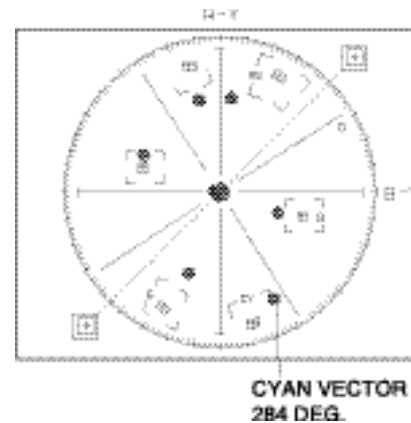
### 13. R-Y NEGATIVE HUE

- 1) Camera mode & 3100° K gray scale chart
- 2) Connect a video output terminal to a vectorscope and a TV.
- 3) Press the FF(Mode Up)/REW(Mode Down) button so that OSD shows "73 XX XX".
- 4) Ensure that camera picks up image on 3100° K color bar chart precisely and the illumination is 1500-2000 Lux.
- 5) Press the PLAY (Data Up)/STOP (Data Down) so that the blue vector is 346° .
- 6) Press the START/STOP (Confirm) button to store data.
- 7) There's is a flicker on screen after finishing the adjustment.



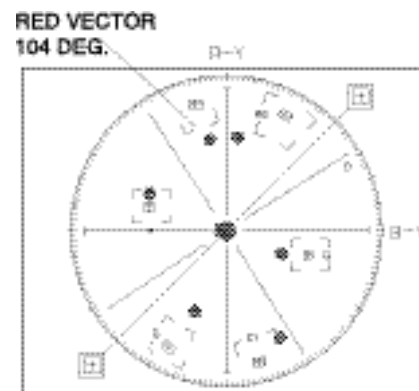
### 14. B-Y POSITIVE HUE

- 1) Camera mode & 3100° K gray scale chart
- 2) Connect a video output terminal to a vectorscope and a TV.
- 3) Press the FF(Mode Up)/REW(Mode Down) button so that OSD shows "76 XX XX".
- 4) Ensure that camera picks up image on 3100° K color bar chart precisely and the illumination is 1500-2000 Lux.
- 5) Press the PLAY (Data Up)/STOP (Data Down) so that the cyan vector is 284° .
- 6) Press the START/STOP (Confirm) button to store data.
- 7) There's is a flicker on screen after finishing the adjustment.



### 15. B-Y NEGATIVE HUE

- 1) Camera mode & 3100° K gray scale chart
- 2) Connect a video output terminal to a vectorscope and a TV.
- 3) Press the FF(Mode Up)/REW(Mode Down) button so that OSD shows "77 XX XX".
- 4) Ensure that camera picks up image on 3100° K color bar chart precisely and the illumination is 1500-2000 Lux.
- 5) Press the PLAY (Data Up)/STOP (Data Down) so that the red vector is 104° .
- 6) Press the START/STOP (Confirm) button to store data.
- 7) There's is a flicker on screen after finishing the adjustment.



### 3-3. LCD Adjustment

Notes: For LCD adjustment, use the buttons on the video camera and the remote control.

After each adjustment step is completed, OSD shows "OK".

EEPROM(ICL202) stores confirmed adjustment value of each adjustment step.

After finishing the adjustment, turn power off.

#### 1. How to get into the LCD adjust mode.

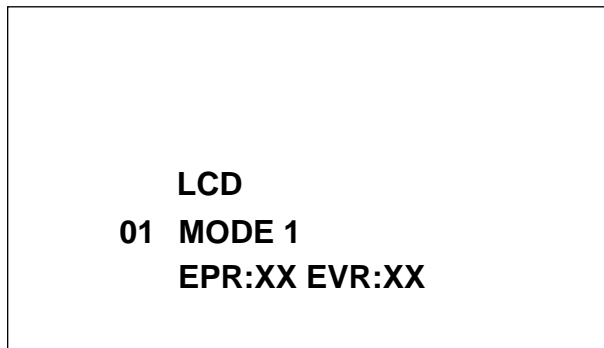
##### STEP 1

1. Connect the power source (battery/DC cable).
2. Set the "CAMERA/PLAYER" switch to "CAMERA" position.
3. Camera screen and OSD appears.
4. Open housing of the video camera and remove tape.

##### STEP2

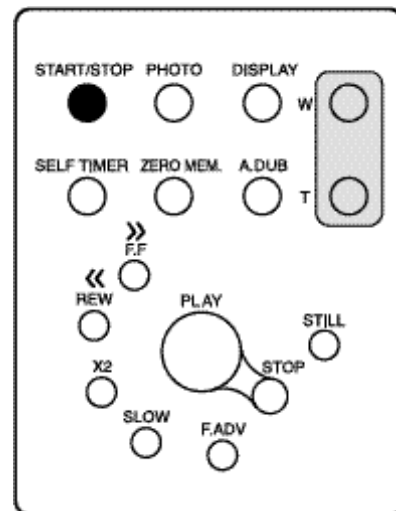
- 1) Press and hold the "EDIT(+)" button on the video camera and "SELF TIMER" button on the remote control at the same time for more than 5 seconds.
- 2) Press the "DISPLY" button to make color bar appear.

Monitor screen



When monitor OSD shows as above screen, LCD adjustment mode has been activated successfully.

Note : "XX" indicates variable values.



Remote Control Button Location

#### 2. Functions of each button on the Remote Control

Button	Description
START/STOP (Confirm)	Stores changed value in the adjustment mode.
FF (Mode Up)	Shift adjustment address to left.
REW (Mode Down)	Shift adjustment address to right.
PLAY (Data Up)	Up value.
STOP (Data Down)	Down value.

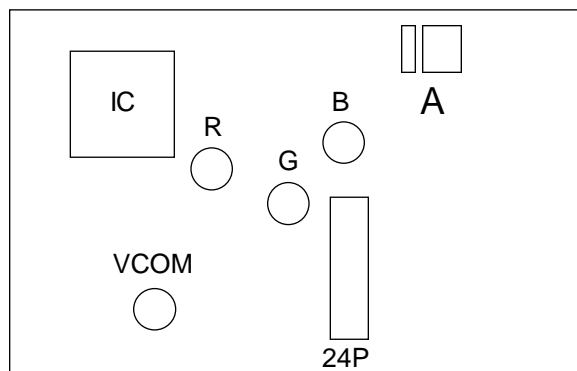
Note: In service adjustment mode, button names are different from those in customer function control mode.

## 3. Adjustment Mode Table

Address	Mode	PAL	NTSC	Remark
OD	VCO	3F	3F	VCO ---> Adjust
OA	VCOM	3D	3D	COM DC-->Adjust
17	BRIGHT	34	34	COM GA>Adjust
11	R-W/B	67	67	R-W/B -->Adjust
09	G-W/B	4F	4F	G-W/B-->Adjust
14	B-W/B	41	41	B-W/B-->Adjust
18	BRIGHT MIN	02	02	Brght varification of MIN direction for USER
19	BRIGHT MAX	02	02	Brght varification of MIN direction for USER
OC	COLOR MIN	02	02	Brght varification of MIN direction for USER
OC	COLOR MAX	02	02	Brght varification of MIN direction for USER
01	MODEL	78	F8	fix initial value
02	H POS	B9	B9	fix initial value
03	V POS	18	OA	fix initial value
04	MODE2	OF	OF	fix initial value
06	HD WID	B7	B7	fix initial value
07	VD POS	80	80	fix initial value
08	HD POS	B9	9E	fix initial value
OB	O S D	80	80	fix initial value
OE	S H A R P	00	00	fix initial value
OF	TINT	64	64	fix initial value
10	GAMMA	B8	B8	fix initial value
12	LIMIT	70	70	fix initial value
13	CONT	80	80	fix initial value
15	R BRT	8F	8F	fix initial value
16	B BRT	6A	6A	fix initial value

\*The Adjustment sequence is VCO-->VCOM-->BRIGHT-->R-W/B-->G-W/B-->B-W/B

## 4. Location of Adjustment TP



Note: In LCD adjustment mode, when shorting "A" of PCB to GND and pressing the START/STOP button, EEPROM stores confirmed adjustment value.

## 1) VCO

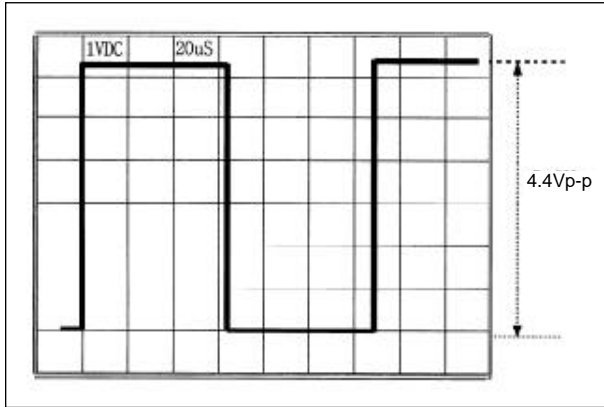
- a) TP-HD & EVR
- b) Connect an Frequency counter to TP-HD
- c) Adjust the EVR so that Frequency is 15.734khz (NTSC),15.625khz(PAL)

## 2) VCOM

- a) TP-VCOM & EVR
- b) Connect an voltmeter to TP-VCOM.
- c) Adjust the EVR so that DC voltage is DC  $1.1 \pm 0.05$  V.

## 3) Brightness

- a) TP-VCOM & EVR
- b) Connect an oscilloscope probe to TP-VCOM.
- c) Adjust the EVR so that bright level is  $4.4 \pm 0.1$  Vp-p.



## 4) R-W/B

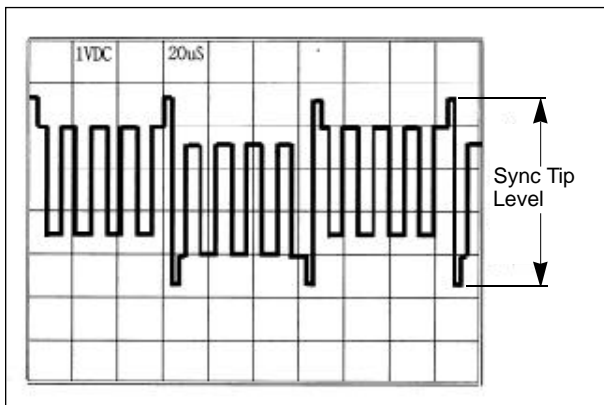
- a) TP-R & EVR
- b) Connect an oscilloscope probe to TP-R.
- c) Adjust the EVR so that Sync tip level is 4.2 Vp-p.

## 5) G-W/B

- a) TP-B & EVR
- b) Connect an oscilloscope probe to TP-G.
- c) Adjust the EVR so that Sync tip level is 4.2 Vp-p.

## 6) B-W/B

- a) TP-B & EVR
- b) Connect an oscilloscope probe to TP-B.
- c) Adjust the EVR so that Sync tip level is 4.4 Vp-p.

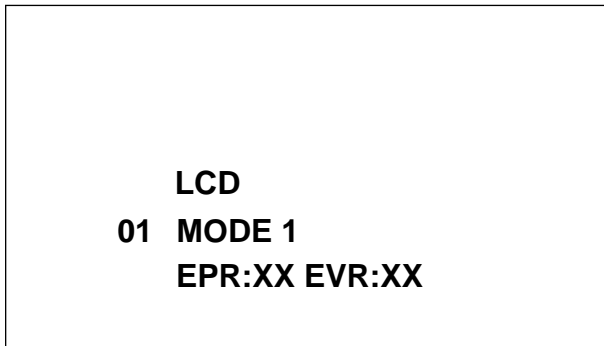


### 3-5. EVF Adjustment

#### 3-5-1. EVF adjustment Preparation

**STEP 1**

- 1) Connect the power source (battery/DC cable).
- 2) Set the "POWER(CAMERA/PLAYER)" switch to "CAMERA" position.



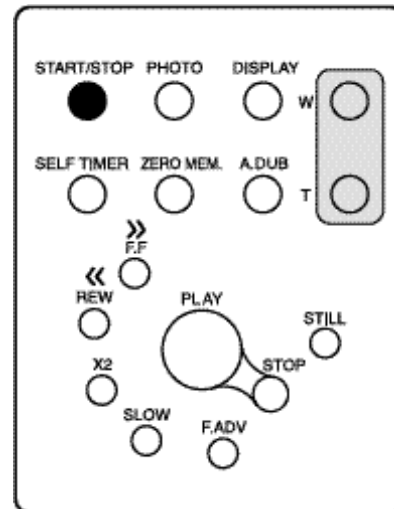
Monitor screen

**STEP 2**

Press and hold the "EDIT(+)" button and "SELFTIMER" button on the video camera at the same time for more than 5 seconds.

**STEP 3**

Press the "DISPLY" button to make color bar appear.

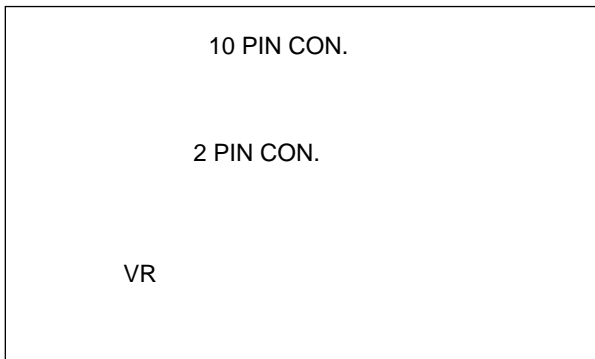
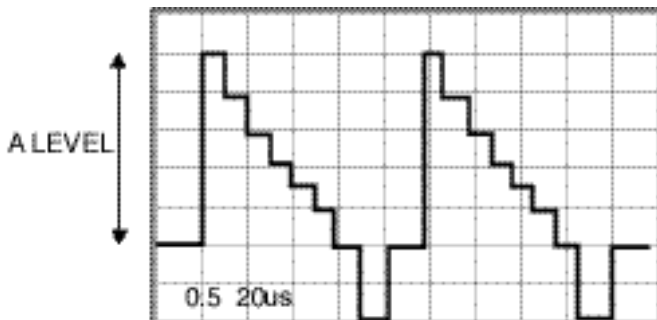


Remote Control Button Location

Note : "XX" indicates variable values.

#### 3-5-2. EVF adjustment

- 1) VIDEO GAIN
  - a) Connect an oscilloscope probe to TP-V.
  - b) Adjust the VRE02 so that A level is 2.5 Vp-p



Location of Test Point

---

## 4. Exploded View and Parts List

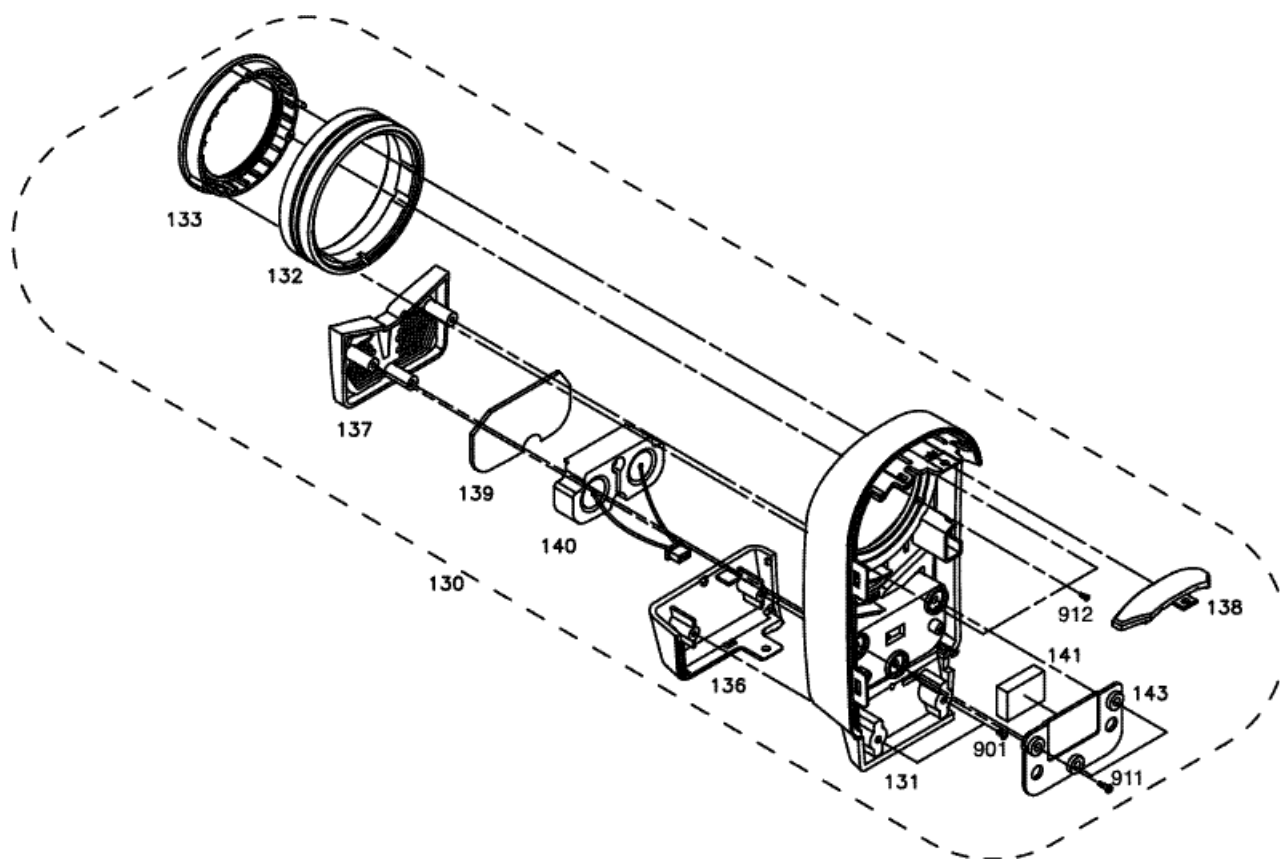
---

	Page
4-1 ASSY FRONT .....	4-2
4-2 ASSY RIGHT .....	4-4
4-3 COVER HOUSING .....	4-6
4-4 CASE LEFT ASSY .....	4-8
4-5 LCD ASSY .....	4-10
4-6 CAMERA & MAIN PCB .....	4-12
4-7 REAR ASSY .....	4-14
4-8 EVF ASSY .....	4-16
4-9 MECHANICAL PARTS(1) .....	4-18
4-10 MECHANICAL PARTS(2) .....	4-20



## 4-1 ASSY FRONT

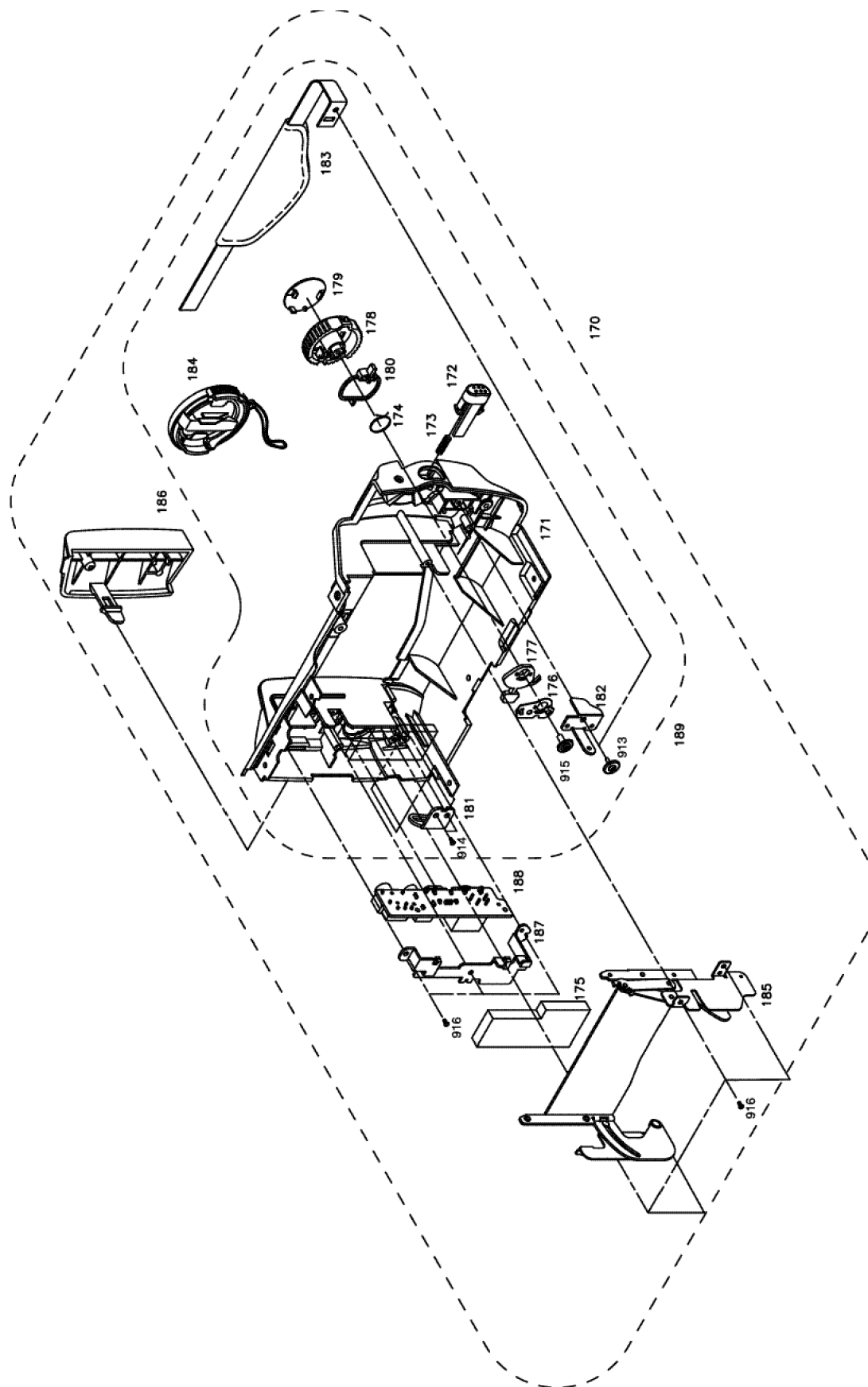
---



Loc. No	Part No	Description and Specification	Remark
130	AD97-03872A	ASSY-FRONT	
131	AD64-00580A	CASE-FRONT 70;ABS94HB HG0760 G6238	SNA
132	AD67-00130A	LENS-HOOD(AL);A6063A-T5(AL10)	
133	AD61-00391C	HOLDER-LENS-HOOD(22X);ABS 94HB D/GRAY	
136	AD63-00234A	COVER-FRONT 70;ABS94HB HF06601 G3532	
137	AD63-00265A	COVER-MIC;ABS94HB HF06601 G3532	
138	AD64-00568A	BADGE-22X;ABS 94 HB NAT	
139	AD63-00147A	SHEET-MIC;HIMERON BLK T0.2	SNA
140	AD97-03434A	ASSY-MIC	
141	AD69-00250A	PAD-SPONGE MIC 70;SPONGE T3.0	
143	AD97-03693A	ASSY-BRKT MIC	
911	6009-001277	SCREW-SPACE TAP(T1.7X7.6)	
912	6003-001161	SCREW-TAPPING(T1.4X5)	
901	6001-001291	SCREW-TAPPING(T1.7X4)	

## 4-2 ASSY RIGHT

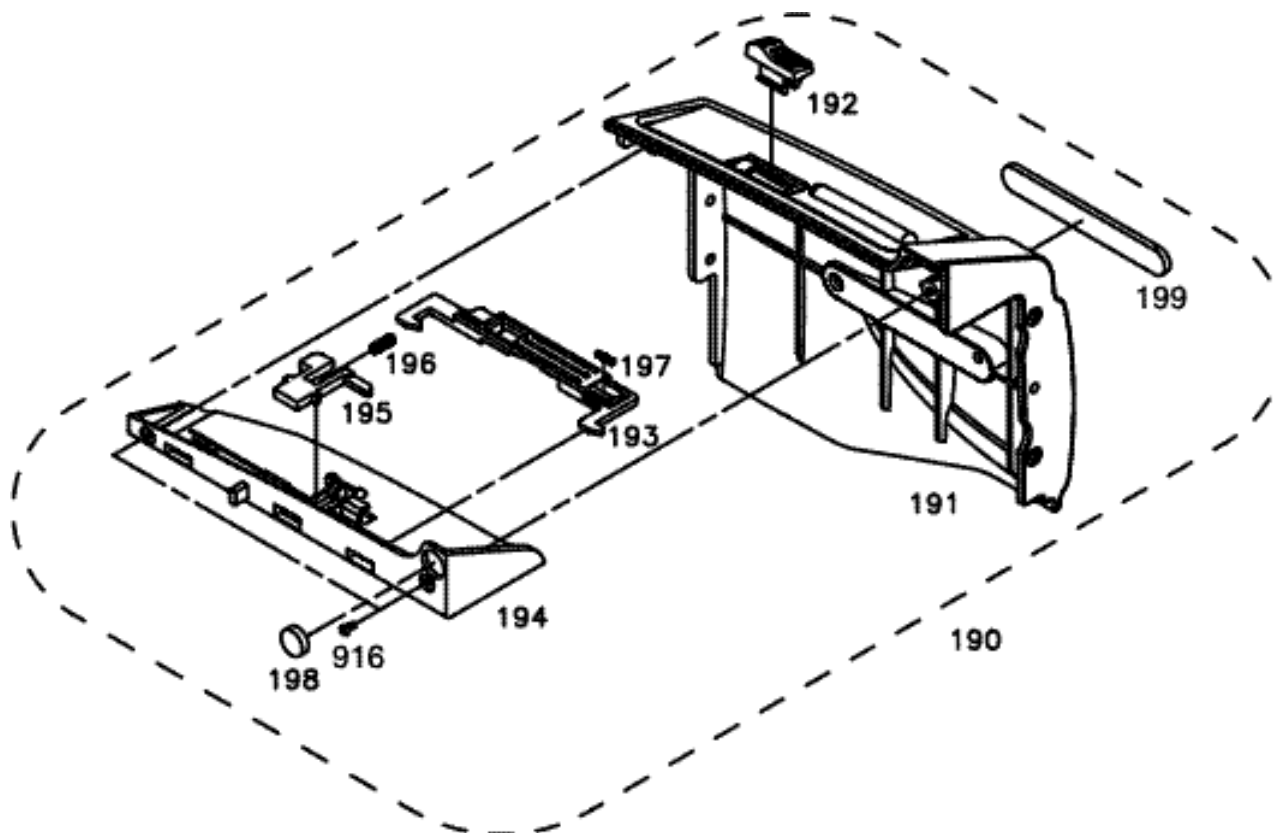
---



Loc. No	New Part No	Description and Specification	Remark
170	AD97-03373A AD97-03373B	ASSY-RIGHT	SNA(VP-D70) SNA(SCD67/70)
171	AD64-00575A AD64-00575C	CASE-RIGHT;ABS94HB HF0660I G3532	VP-D70 SCD67/70
172	AD64-00576A	BUTTON-REC/STOP;ABS94HB RED	
173	AD61-00220A	SPRING-SNAP SHOT;SUS 304 WPB	
174	AD61-00760A	SPRING-KNOB-POWER;SUS 304 WPB	
175	AD69-00268A	PAD-SPONGE RIGHT;EPDM T5.0	
176	AD61-00844A	PLATE-SPRING POWER;SUS 301 1/2H T0.3	
177	AD61-00701A	HOLDER-POWER;POM BLK	
178	AD64-00577A	KNOB-POWER;ABS94HB HF0660I G3532	
179	AD61-00707A	CAP-POWER;ABS94HB HF0660I G3532	
180	AD64-00578A	LOCKER-POWER;POM GREEN	
181	AD61-00682A	BRKT-GRIP FRONT;SUS304 T0.8	
182	AD61-00683A	BRKT-GRIP REAR;SUS304 T0.8	
183	AD97-03371A	ASSY GRIP-BELT;LEATHER, BLK	
184	AD59-00069A	ASSY-CAP HOOD	
185	AD97-03370A	ASSY-LINK	
186	AD63-00233A	COVER-JACK;TPE	
187	AD63-00223A	BRKT-JACK	
188	AD97-03393A	ASSY FPC-JACK	
913	AD60-00003A	SCREW-TAPPING(T2X6)	
914	AC60-10061A	SCREW-TAPPING(T2X5)	
915	AD60-10509A	SCREW-TAP PWH	
916	AC60-12128A	SCREW-TAPPING(T1.7X4)	

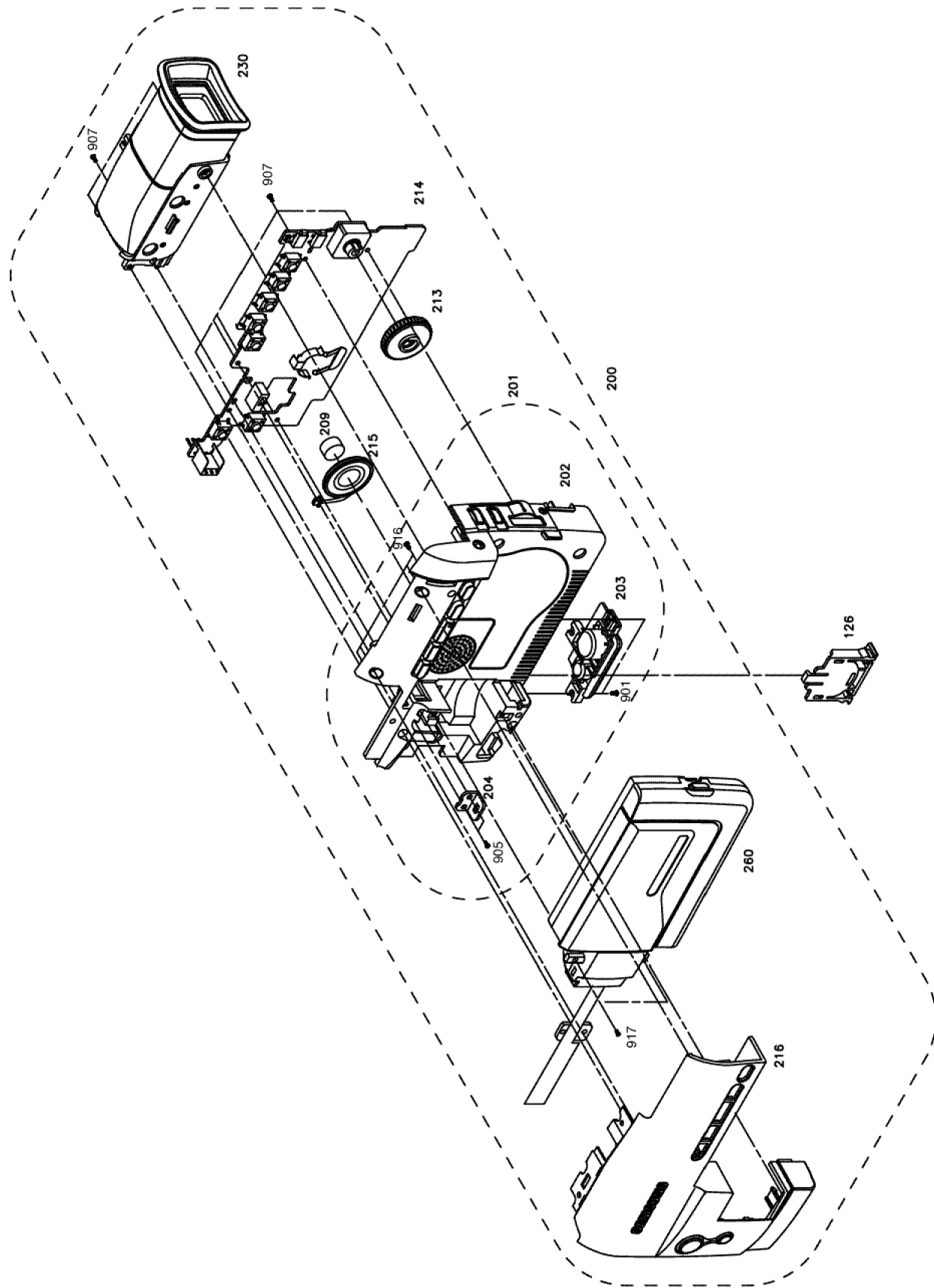
### 4-3 COVER HOUSING

---



Loc. No	Part No	Description and Specification	Remark
190	AD97-03372A	ASSY-COVER HOUSING	SNA
191	AD63-00225A	COVER-HOUSING;ABS94HB HF06601 G3532	
192	AD64-00553A	KNOB-TAPE/EJECT;ABS94HB HF06601 G3532	
193	AD64-00554A	LOCK-TAPE/EJECT;POMBLK	
194	AD61-00690A	HOLDER-TAPE/EJECT;ABS94HB HF06601 G3532	
195	AD66-00118A	SLIDER-TAPE/EJECT;ABS94HB HF06601 G3532	
199	AD63-00229A	COVER-DUMY HOUSING;PET,T1.5,BLK	
196	AD61-00691A	SPRING-HOUSING;WPB,BLK	
197	AD61-00693A	SPRING-KNOB DSC;SUS 304 WPB	
198	AD69-00045A	PAD-LCD;EVA,BLK	
199	AD63-00229A	COVER-DUMMY HOUSING	
916	AC60-12128A	SCREW-TAP(1.7X4,BLK);BLK	

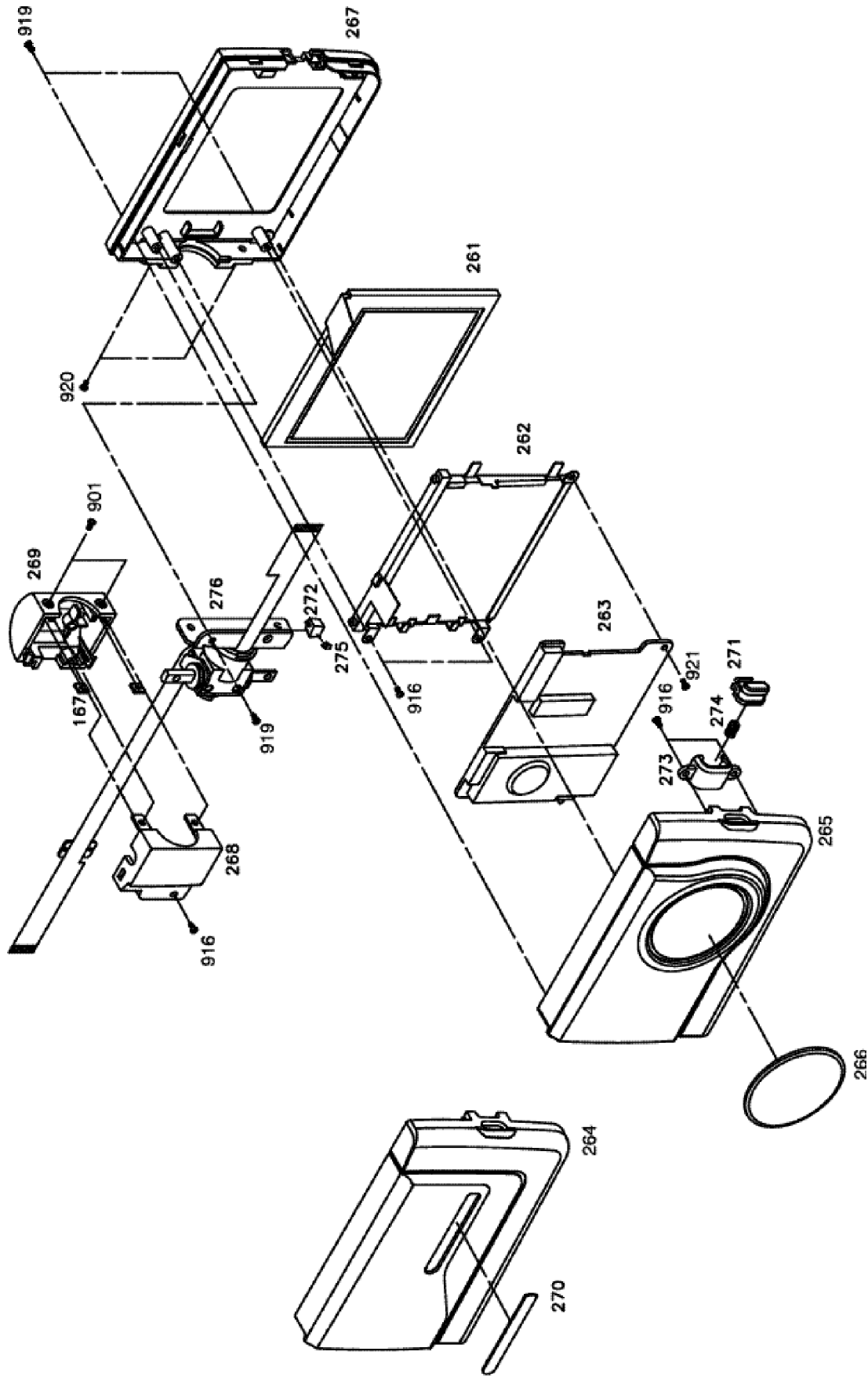
## 4-5 CASE LEFT ASSY



Loc. No	Part No	Description and Specification	Reamrk
200	AD97-03696A	ASSY-LEFT	SNA(SCD67)
	AD97-03438A		SNA(SCD70)
	AD97-03378A		SNA(VPD70)
201	AD97-03462A	UNIT-CASE LEFT	
202	AD64-00563A	CASE-LEFT;ABS94HB HF06601 G3532	
203	AD97-03402A	ASSY-TRIPOD;PC G4487B + » μø(μμ±)	
204	AD61-00581A	BRKT-HINGE;SUS301 T1.0	
209	AD69-00236A	PAD-SPEAKER;EVA-SPONGE	
212	AD73-00060A	RUBBER-SPEAKER;øĭ ,BLK,T1.0	
213	AD64-00240C	KNOB-DIAL MENU;ABS94HB HF06601 G3532	
214	AD97-03439A	ASSY-FUNCTION B'D	
215	AD97-02047A	ASSY-SPEAKER;SC-L315C, 2816S	
216	AD97-03379A	ASSY-COVER LEFT	
230	AD97-03256A	ASSY-EVF	SNA(SCD67/70)
	AD97-03258A		SNA(VPD70)
260	AD97-03430B	ASSY-LCD	SNA(SCD67)
	AD97-03430C		SNA(SCD70)
	AD97-03430A		SNA(VPD70)
901	6001-001291	SCREW-MACHINE;M1.7X4 BLK	
905	AC60-10054A	SCREW-TAP TITE;TAP2X6 BLK	
907	6002-001085	SCREW-TAPPING(1.7X5);TAP1.7X4,BLK	
916	AC60-12128A	SCREW-TAPPING(1.7X4);TAP1.7X4,BLK	
917	6003-000233	SCREW-TAPPING(2X6);TAP2X6,CH-HEAD,BLK	
126	AD63-00065C	COVER-LI BATT	



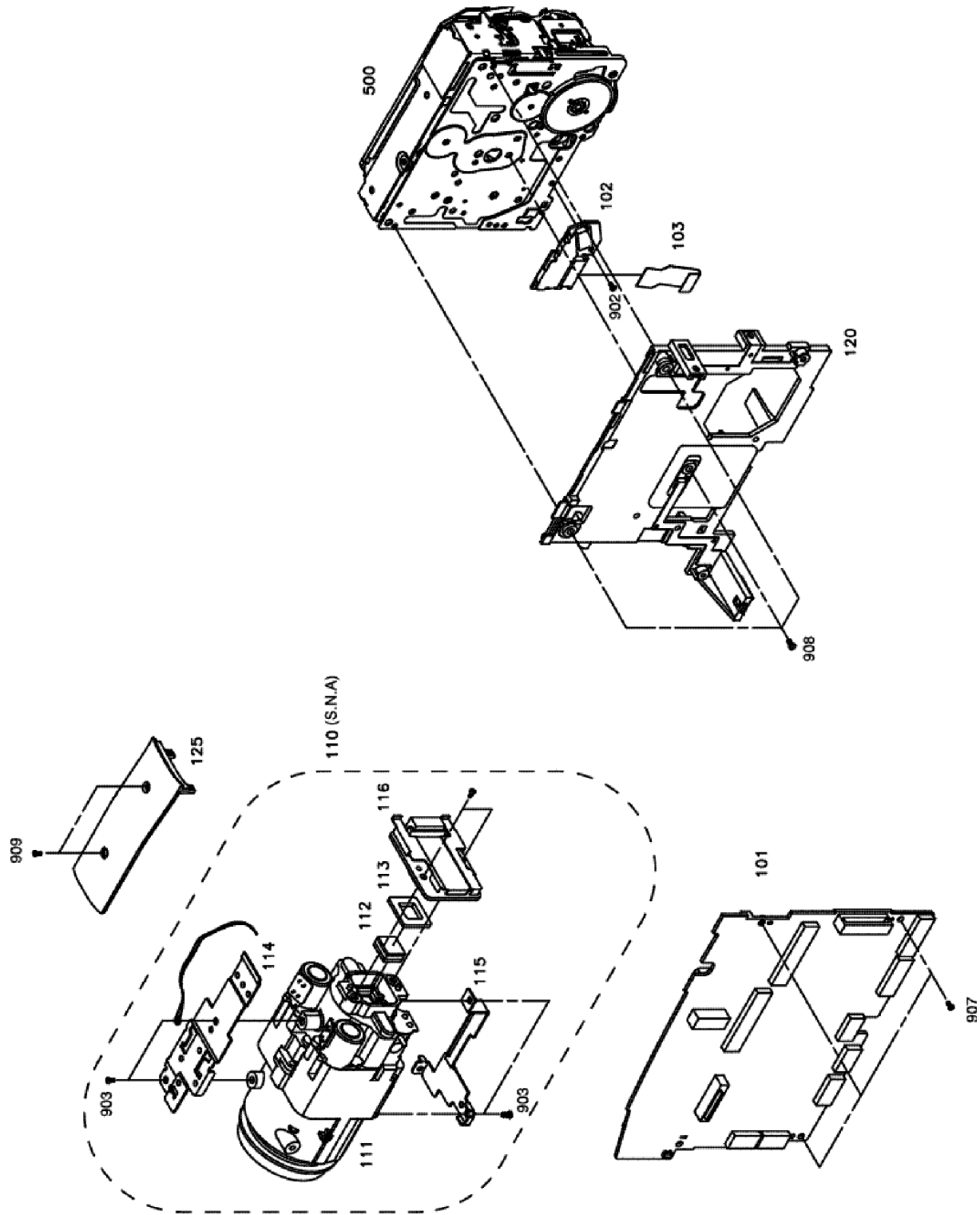
### 4-6 LCD ASSY



Loc. No	Part No	Description and Specification	Remark
167	AD61-12033A	BRKT-NUT;SECC T0.8	
261	AD07-00019A	LCD	
262	AD97-02233A	ASSY-BACK LIGHT	
263	AD97-03250A	ASSY-LCD BOARD	
264	AD64-00583A	CASE-LCD TOP;ABS 94 VO	
265	AD64-00551B		
266	AD64-00579A	BADGE-LCD;ABS 94HB, /μμ±, DSC	
	AD64-00634A		
267	AD64-00552A	CASE-LCD BOTTOM;ABS 94 VO	VPD70
	AD64-00552B		SCD67/70
268	AD63-00221A	COVER-HINGE TOP;ABS 94HB	
269	AD63-00222A	COVER-HINGE BOTTOM;ABS 94HB	
270	AD64-00609A	INLAY-LCD DIGITAL;PC CLEAR, EPOXY	VPD70
	AD64-00609C		SCD67
	AD64-00609D		SCD70
271	AD64-00445A	BUTTON-LCD LOCK;PC/ABS	
272	AD64-00446A	BUTTON-LCD REVERSE;PC/ABS 94HB	
273	AD61-00585A	GUIDE-LCD LOCK;POM BLK	
274	AD61-00344A	SPRING-LCD LOCK;SWPB	
275	AD61-00627A	SPRING-LCD REVERSE;SUS304 WPB	
276	AD97-03380A	ASSY-HINGE	
901	6001-001291	SCREW-TAPPING;M1.7X4 FEB	
916	AC60-12128A	SCREW-TAPPING;TAP1.7X4 FEB	
919	AC60-10043A	SCREW-TAPPING;TAP1.7X6 FZB	
920	AC60-10019A	SCREW-MACHINE;M2X4 FZB	
921	AC60-10028A	SCREW-MACHINE;M1.7X3 FZB	

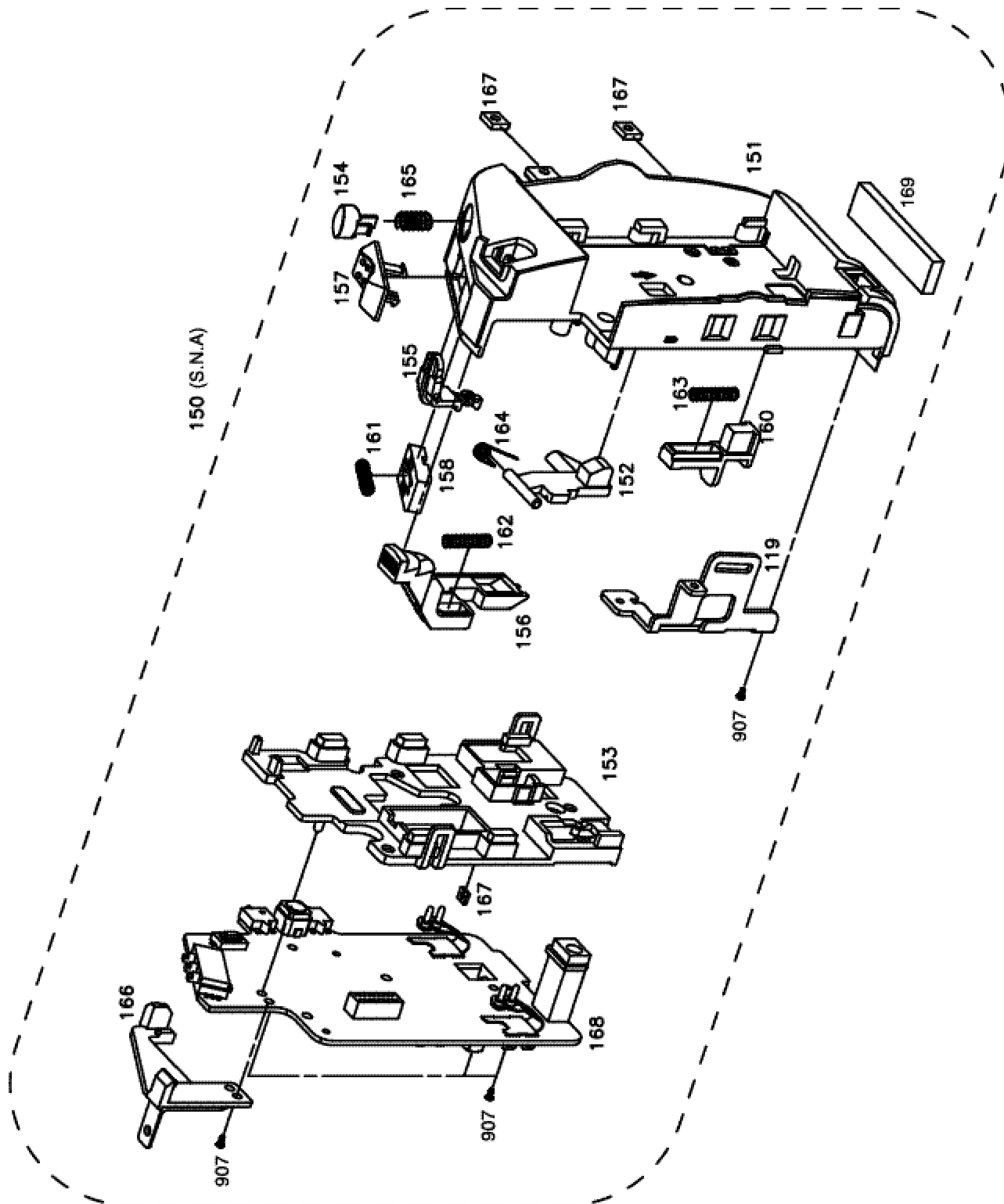
## 4-6 CAMERA ASSY & MAIN PCB

---



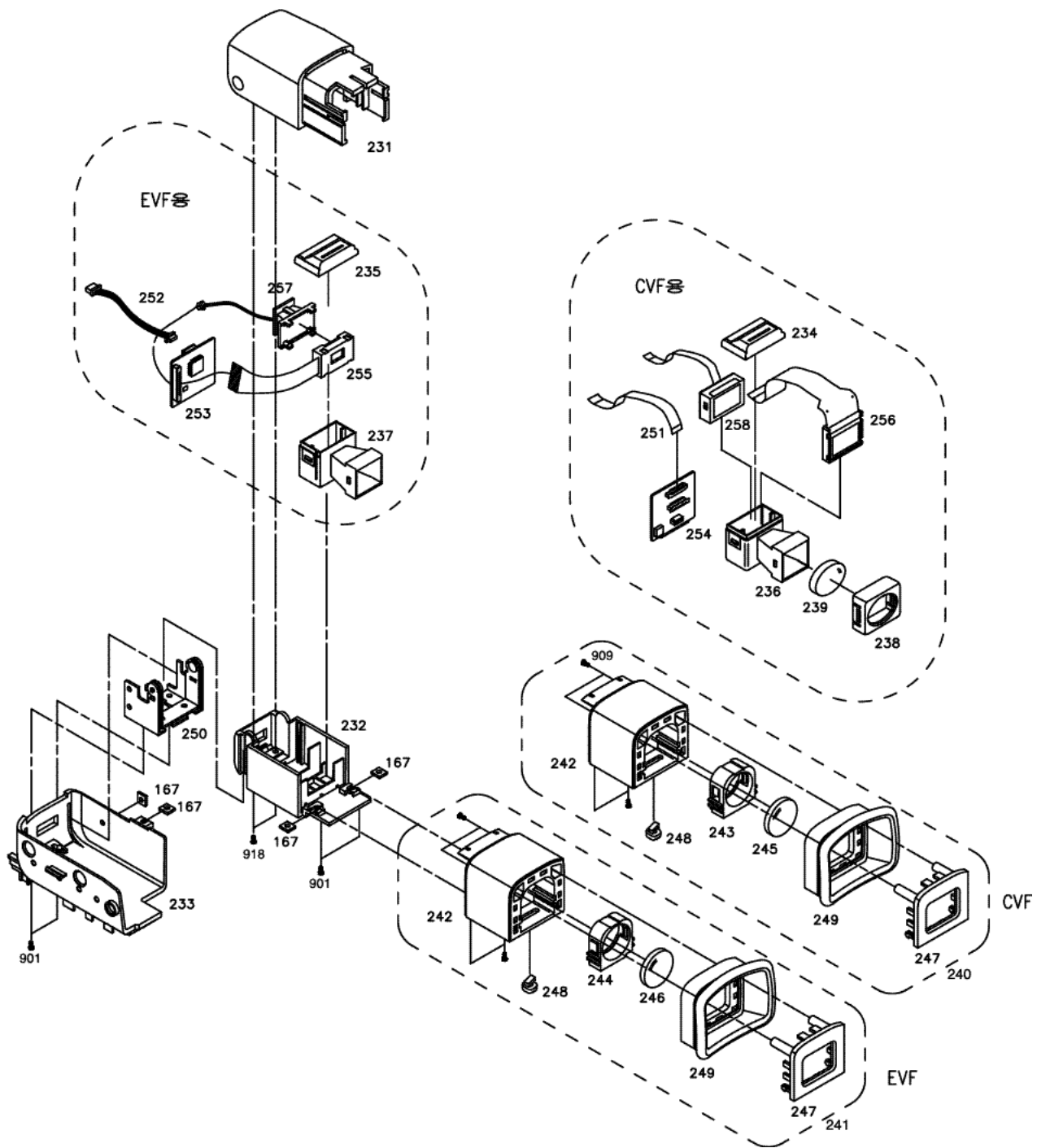
Loc. No	Part No	Description and Specification	Remark
101	AD97-03679A	ASSY-MAIN BOARD	SCD67
	AD97-03443A		SCD70
	AD97-03232A		VPD70
102	AD97-03322A	ASSY-PREAMP	
103			
110	AD97-03686A	ASSY-CAMERA	SNA(SCD67)
	AD97-03235A		SNA(VPD70)
	AD97-033442A		SNA(SCD70)
111	AD97-01684A	ASSY-ZOOM LENS	
112			
113	AD73-00003A	RUBBER-CCD;NBR	
114	AD61-00675A	BRKT-LENS TOP;SUS304 T0.5	
115	AD61-00676A	BRET-LENS-BOT;SUS304 T0.5	
116	AD97-03681A	ASSY-CCD BOARD	SCD67
	AD97-03323A		VPD70
	AD97-03449A		SCD70
120	AD97-03412A	ASSY-FRAME CHASSIS	
125	AD64-00564A	CASE-TOP	
500	AD97-03360A	ASSY-DECK	
902	AC60-12112A	SCREW-MACHINE(M1.4X2)	
903	AC60-10055A	SCREW-TAPPING(T2X4)	
907	6002-001085	SCREW TAP1.7 x 5	
908	AC60-10048A	SPACE M1.4 x 5	
909	6001-001289	SCREW-MACHINE(M1.7X5)	

## 4-7 REAR ASSY



Loc. No	Part No	Description and Specification	Remark
150	AD97-03368A	ASSY-CASE REAR SNA	
151	AD64-00570A	CASE-REAR;ABS94HB HF0660I G3532	
152	AD66-00120A	SLIDER-BATTERY EJECT;POM NTR	
153	AD63-00232A	COVER-HOLE;ABS94HB HF0660I G3532	
154	AD64-00571A	BUTTON-SNAP SHOT;ABS94HB HF0660I G3532	
155	AD61-00698A	HOLDER-SNAP SHOT;POM NTR	
156	AD64-00572A	KNOB-BATTERY EJECT;ABS94HB HF0660I G3532	
157	AD64-00573A	KNOB-ZOOM;ABS94HB HF0660I G3532	
158	AD61-00699A	HOLDER-ZOOM;POM NTR	
159	AD61-00680A	BRACKET-SHOULDER;SUS 304 T1.0	
160	AD64-00574A	KNOB-DIRECTOR;ABS94HB HF0660I G3532	
161	AD61-00776A	SPRING-ZOOM;SUS 304 WPB	
162	AD61-00681A	SPRING-BATTERY RELEASE;SUS 304 WPB	
163	AD61-00218A	SPRING-BATTERY EJECT;SUS 304 WPB	
164	AD61-00219A	SPRING-BATTERY LOCK;SUS 304 WPB	
165	AD61-00220A	SPRING-SNAP SHOT;SUS 304 WPB	
166	AD61-00700A	STOPPER-ZOOM;ABS94HB HF0660I G3532	
167	AD61-12033A	BRACKET-NUT;SECC T0.8	
168	AD97-03234A	ASSY-REAR B'D	
169	AD69-00235A	PAD-LEG;PORON(HH-48),D/GRAY	
907	6002-001085	SCREW-TAPPING(TAP1.7X5.BLK)	

## 4-8 EVF/CVF ASSY

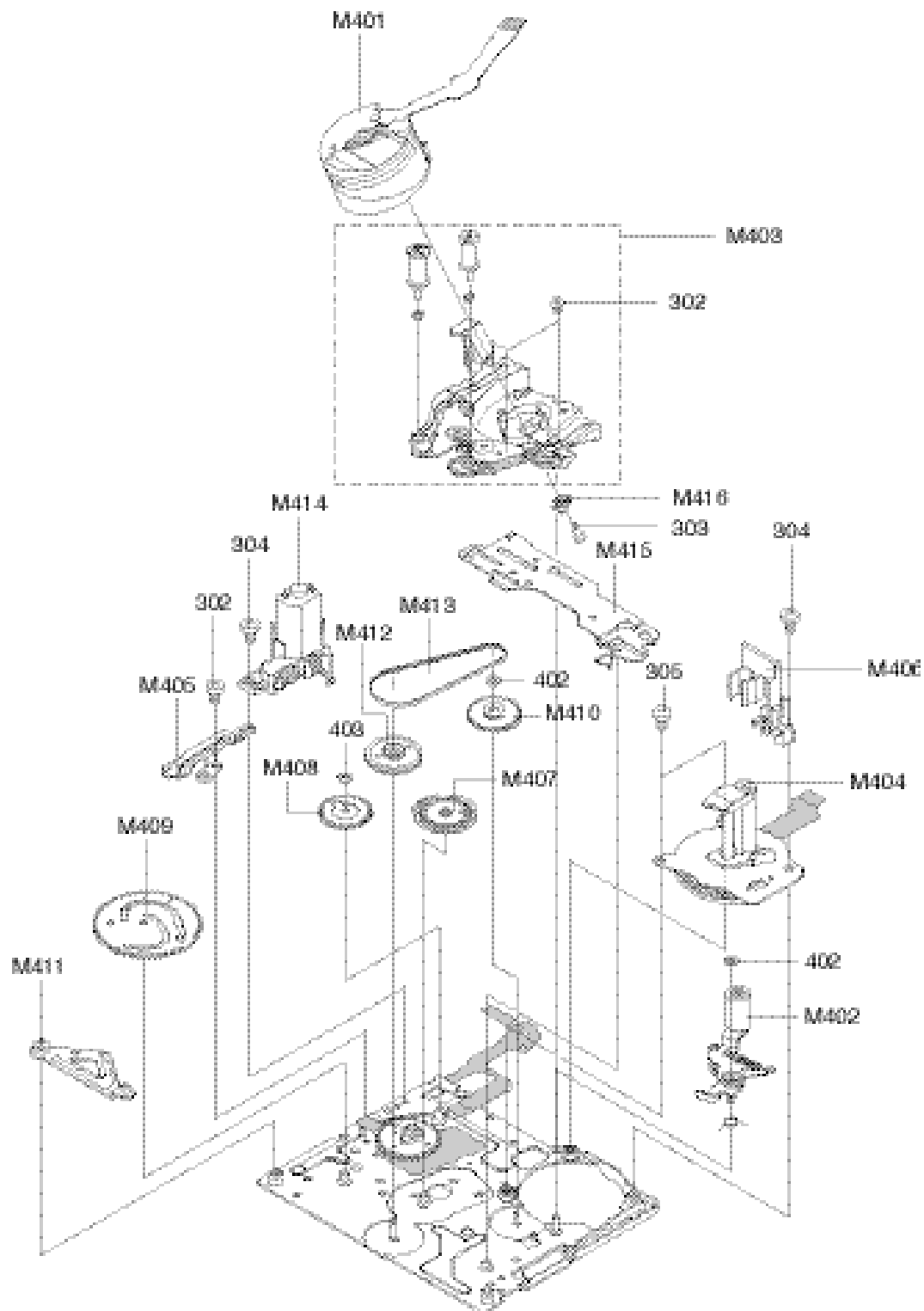


Loc. No	Part No	Description and Specification	Remark
167	AC61-12033A	BRKT-NUT	
231	AD64-00547A	CASE-EVF TOP;ABS94V0 VE0812 G6238	
232	AD64-00548A	CASE-EVF BOTTOM;ABS94V0 VE0812 G6238	
233	AD61-00663A	GUIDE-LINK;PC L1225Y TEIJIN( 1 ì+ $\pi$ - $\alpha$ )	
234	AD61-00319A	HOLDER-CVF TOP;ABS 94VO BLK(0.44 $\phi$ Ì)	
235	AD61-00430A	HOLDER-EVF TOP;ABS 94VO BLK(0.24 $\phi$ Ì)	
236	AD61-00228A	HOLDER-CVF BOTTOM;PC VO BLK/GF(20%,0.44 $\phi$ Ì)	
237	AD61-00408A	HOLDER-CVF BOTTOM;PC VO BLK/GF(20%,0.24 $\phi$ Ì)	
238	AD61-00304A	HOLDER-COVER LENS;ABS 94HB BLK(0.44 $\phi$ Ì)	
239	AD67-00026A	LENS EVF M G2;OPT PLASTIC PMMA(0.44 $\phi$ Ì)	
240	AD97-03254A	ASSY-CVF LENS	
241	AD97-03255A	ASSY-EVF LENS	
242	AD61-00664A	GUIDE-LENS;ABS94HB HF0660I G3532	SNA
243	AD61-00665A	HOLDER-CVF LENS;ABS 94HB BLK	SNA
244	AD61-00666A	HOLDER-EVF LENS;ABS 94HB BLK	SNA
245	AD67-00027A	LENS EVF M G3;OPT PLASTIC PMMA	SNA
246	AD67-00025A	LENS EVF M G1;OPT PLASTIC PMMA	SNA
247	AD61-00667A	GUIDE-CAP;ABS 94HB BLK	SNA
248	AD64-00549A	KNOB-EVF;POM 94HB BLK	SNA
249	AD73-00051A	RUBBER-EYE CUP;SILICON D/GRAY	
250	AD97-03253A	ASSY-LINK EVF	
251	AD41-00215A	FPC-CVF	
252	AD39-00052A	HANESS-EVF	
253	AD97-03695A	ASSY-EVF BOARD;NTSC/BW	SCD67/70
	AD97-03251A	ASSY-EVF BOARD;PAL/BW	VPD70
254	AD97-03252A	ASSY-CVF BOARD;NTSC/COL	
255	AD07-00009A	LCD;0.25inch B&W	
256	AD07-00008A	LCD;0.44inch COLOR	
257	AD97-01102A	B/LIGHT;0.25inch B&W	
258	AD97-03478A	B/LIGHT;0.44inch COLOR	
901	6001-001291	SCREW-MACHINE;M1.7X4,FZB	
918	AC60-22002A	SCREW-TAP;M1.7X4,FZB	
919	AC60-10043A	SCREW-TAPPING;M1.7X6 FZB	



## 4-9 MECHANICAL PARTS (1) (MAIN CHASSIS)

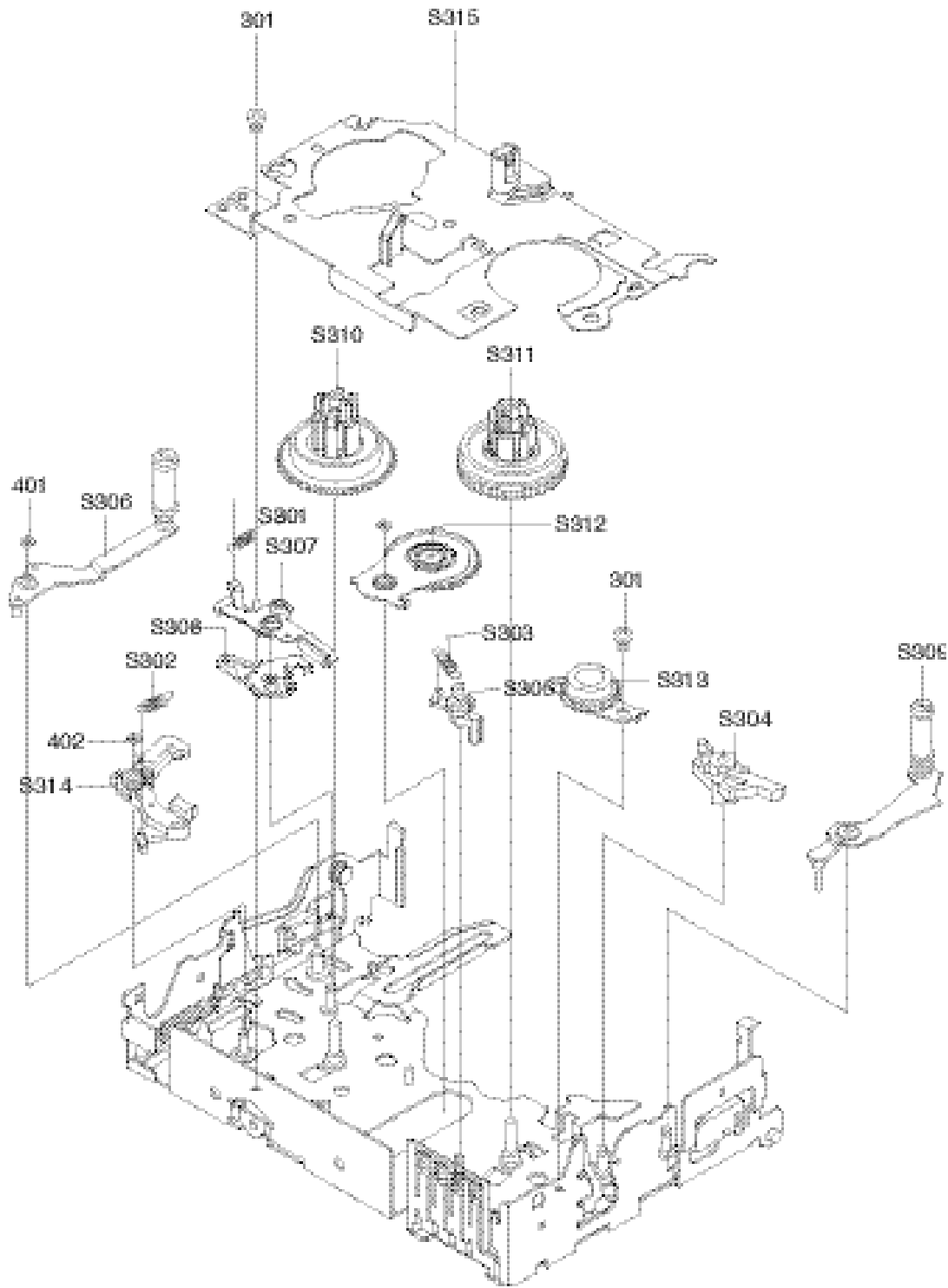
---



Loc. No	Part No	Description and Specification	Remark
302	6001-001452	SCREW-MACHINE;BH,+,M1.4,L2.5,BLK,SWRCH18	
303	6001-001451	SCREW-MACHINE;TH,+,M1.4,L4.12,ZPC(YEL),S	
304	6001-001331	SCREW-MACHINE;BH,+,M1.4,L3.0,BLK(LOCK),S	
305	AC60-12113A	SCREW;- ,BLK,L2.2,S45C-HC,BH,+,-,M1.4	
402	6031-001417	WASHER-PLAIN;POLYSLIDE,-,ID0.8,D3.0,T0.2	
403	6031-001419	WASHER-PLAIN;LUMINA,CUT,ID1.1,OD2.8,T0.2	
M401	AD97-02552A	ASSY-DRUMREV02;AHS+R/T+MOT+PBT,DD-3,ASS	
M402	AD97-02928A	ASSY-ARM-PINCH-FULL;- ,DD-3,-	
M403	AD97-02931A	ASSY-DRUM BASE RAIL;- ,DD-3,-	
M404	AD31-00028A	MOTOR-CAPSTAN;- ,DD-3,-,-,-,-,-,-,-,-,-	
M405	AD61-00490A	GUIDE-TENSION CAM;DD-3,SUS430 CP,T0.3,-,	
M406	AD61-00496A	HOLDER-FPC SUB;DD-3,DURACON,-,-,-,-	
M407	AD66-00061A	GEAR-CONNECT;DD-3,POM,0.4/0.5,8.5/23,-,-	
M408	AD66-00064A	GEAR-WHEEL;DD-3,POM,0.3/05,30/8,-,-,PCD	
M409	AD66-00065A	GEAR CAM-MAIN;DD-3,SECC,0.5,50,-,-,PCD 2	
M410	AD66-00069A	GEAR-CAPSTAN;DD-3,DYAMID,0.4,28,-,-,PCD	
M411	AD66-00085A	LEVER-CAM;DD-3,SUS430 CP,T0.5,-,-,-,-,-	
M412	AD66-00098A	GEAR-PULLEY ASSY;DD-3,POM+MAGNET,-,-,-,-	
M413	AD66-62001A	BELT-TIMING;DD-C2R,POLYURETHAN,-,L84,-,-	
M414	AD97-02935A	ASSY-LOADING-MOTOR;- ,DD-3,-	
M415	AD97-02987A	ASSY-SLIDE-MAIN;- ,DD-3,-	
M416	AD61-00558A	PLATE-S/P BASE;DD-3,SUS632 CSP ,T0.15,-,	

## 4-10 MECHANICAL PARTS(2) (SUB CHASSIS)

---



Loc. No	Part No	Description and Specification	Remark
301	6001-001513	SCREW;BH,+,M1.4,D3.0 , WH	
401	6031-001430	WASHER-PLAIN;POLYSLIDER,-,ID0.8,D2.5,T0.	
402	6031-001417	WASHER-PLAIN;POLYSLIDE,-,ID0.8,D3.0,T0.2	
S301	AD61-00509A	SPRING-TENSION;DD-3,SUS304-WPB,•0.12,-,	
S302	AD61-00513A	SPRING-BRAKE S;DD-3,SUS304-WPB,•0.18,-,	
S303	AD61-00659A	SPRING-MAIN BRAKE T;DD-3,SWP-B,•0.16,-,	
S304	AD66-00090A	LEVER-EJECT;DD-3,POM,-,-,-,-,-	
S305	AD66-00093A	BRAKE-MAIN T;DD-3,NYLON,-,-,-,-,-	
S306	AD66-00108A	ARM-TENSION-ASSY;DD-3,SUS304 CP+ETC,-,-,	
S307	AD97-02932A	ASSY-BRAKE-TENSION;-,DD-3,-	
S308	AD97-02933A	ASSY-RELEASE-T;-,DD-3,-	
S309	AD97-02934A	ASSY-REVIEW-ARM;-,DD-3,-	
S310	AD97-02938A	ASSY-REEL-DISK-S;-,DD-3,-	
S311	AD97-02939A	ASSY-REEL-DISK-T;-,DD-3,-	
S312	AD97-02940A	ASSY-IDLER;-,DD-3,-	
S313	AD97-02941A	ASSY-BRAKE-PULLEY;-,DD-3,-	
S314	AD97-02942A	ASSY-BRAKE-S;-,DD-3,-	
S315	AD97-02943A	ASSY-COVEER-REEL;-,DD-3,-	

# MEMO

## 5. Electrical Parts List

Loc.No	Part No	Desc & Spec	Remark	Loc.No	Part No	Desc & Spec	Remark
		ASSY-MAIN BOARD		C323	2203-005061	C-CERAMIC,CHIP;100nF,+80-20%,16V,Y5V,TP,	
B101	3301-001362	CORE-FERRITE BEAD;AB,1kohm,1x0.5x0.5mm,5		C324	2404-001020	C-TA,CHIP;10uF,20%,10V,GP,TP,3216,3.2	
B102	3301-001362	CORE-FERRITE BEAD;AB,1kohm,1x0.5x0.5mm,5		C325	2203-000254	C-CERAMIC,CHIP;10nF,10%,16V,X7R,TP,1005,	
B103	3301-001362	CORE-FERRITE BEAD;AB,1kohm,1x0.5x0.5mm,5		C326	2203-000254	C-CERAMIC,CHIP;10nF,10%,16V,X7R,TP,1005,	
B106	3301-001362	CORE-FERRITE BEAD;AB,1kohm,1x0.5x0.5mm,5		C327	2203-000254	C-CERAMIC,CHIP;10nF,10%,16V,X7R,TP,1005,	
B108	3301-001362	CORE-FERRITE BEAD;AB,1kohm,1x0.5x0.5mm,5		C328	2203-000254	C-CERAMIC,CHIP;10nF,10%,16V,X7R,TP,1005,	
B109	3301-001362	CORE-FERRITE BEAD;AB,1kohm,1x0.5x0.5mm,5		C331	2404-001020	C-TA,CHIP;10uF,20%,10V,GP,TP,3216,3.2	
B113	3301-001362	CORE-FERRITE BEAD;AB,1kohm,1x0.5x0.5mm,5		C332	2404-001020	C-TA,CHIP;10uF,20%,10V,GP,TP,3216,3.2	
B340	2901-001022	FILTER-EMI SMD;10V,200mA,-,-,1.6x0.8x0.8		C334	2404-000167	C-TA,CHIP;2.2uF,20%,16V,-,TP,3216,-	
B341	2901-001022	FILTER-EMI SMD;10V,200mA,-,-,1.6x0.8x0.8		C335	2203-000359	C-CERAMIC,CHIP;0.15nF,5%,50V,NP0,TP,1005	
B342	2901-001022	FILTER-EMI SMD;10V,200mA,-,-,1.6x0.8x0.8		C336	2203-002443	C-CERAMIC,CHIP;0.33nF,10%,50V,X7R,TP,100	
B343	2901-001022	FILTER-EMI SMD;10V,200mA,-,-,1.6x0.8x0.8		C337	2203-002443	C-CERAMIC,CHIP;0.33nF,10%,50V,X7R,TP,100	
B344	2901-001022	FILTER-EMI SMD;10V,200mA,-,-,1.6x0.8x0.8		C338	2203-000359	C-CERAMIC,CHIP;0.15nF,5%,50V,NP0,TP,1005	
B345	2901-001022	FILTER-EMI SMD;10V,200mA,-,-,1.6x0.8x0.8		C339	2203-002443	C-CERAMIC,CHIP;0.33nF,10%,50V,X7R,TP,100	
B346	2007-000070	R-CHIP;0ohm,5%,1/16W,DA,TP,1608		C340	2203-002443	C-CERAMIC,CHIP;0.33nF,10%,50V,X7R,TP,100	
B347	2901-001022	FILTER-EMI SMD;10V,200mA,-,-,1.6x0.8x0.8		C401	2404-001020	C-TA,CHIP;10uF,20%,10V,GP,TP,3216,3.2	
B348	2901-001022	FILTER-EMI SMD;10V,200mA,-,-,1.6x0.8x0.8		C402	2203-005061	C-CERAMIC,CHIP;100nF,+80-20%,16V,Y5V,TP,	
B349	2901-001022	FILTER-EMI SMD;10V,200mA,-,-,1.6x0.8x0.8		C403	2203-000585	C-CERAMIC,CHIP;220pF,10%,50V,X7R,TP,1005	
B350	2901-001022	FILTER-EMI SMD;10V,200mA,-,-,1.6x0.8x0.8		C404	2203-000714	C-CERAMIC,CHIP;3.3nF,10%,50V,X7R,TP,1005	
B351	2901-001022	FILTER-EMI SMD;10V,200mA,-,-,1.6x0.8x0.8		C405	2203-005061	C-CERAMIC,CHIP;100nF,+80-20%,16V,Y5V,TP,	
B515	2901-001022	FILTER-EMI SMD;10V,200mA,-,-,1.6x0.8x0.8		C406	2203-002338	C-CERAMIC,CHIP;0.015nF,5%,50V,NP0,TP,100	
B516	2901-001022	FILTER-EMI SMD;10V,200mA,-,-,1.6x0.8x0.8		C407	2203-002338	C-CERAMIC,CHIP;0.015nF,5%,50V,NP0,TP,100	
B517	2901-001022	FILTER-EMI SMD;10V,200mA,-,-,1.6x0.8x0.8		C408	2203-005061	C-CERAMIC,CHIP;100nF,+80-20%,16V,Y5V,TP,	
B701	3301-001362	CORE-FERRITE BEAD;AB,1kohm,1x0.5x0.5mm,5		C409	2203-005061	C-CERAMIC,CHIP;100nF,+80-20%,16V,Y5V,TP,	
BC01	2901-001022	FILTER-EMI SMD;10V,200mA,-,-,1.6x0.8x0.8		C410	2203-005061	C-CERAMIC,CHIP;100nF,+80-20%,16V,Y5V,TP,	
BC02	2901-001022	FILTER-EMI SMD;10V,200mA,-,-,1.6x0.8x0.8		C411	2203-005061	C-CERAMIC,CHIP;100nF,+80-20%,16V,Y5V,TP,	
C101	2203-000278	C-CERAMIC,CHIP;0.01nF,0.5pF,50V,NP0,TP,1		C412	2203-005061	C-CERAMIC,CHIP;100nF,+80-20%,16V,Y5V,TP,	
C102	2203-000278	C-CERAMIC,CHIP;0.01nF,0.5pF,50V,NP0,TP,1		C413	2203-005061	C-CERAMIC,CHIP;100nF,+80-20%,16V,Y5V,TP,	
C103	2203-005061	C-CERAMIC,CHIP;100nF,+80-20%,16V,Y5V,TP,		C414	2203-005061	C-CERAMIC,CHIP;100nF,+80-20%,16V,Y5V,TP,	
C104	2203-002717	C-CERAMIC,CHIP;10nF,+80-20%,50V,Y5V,TP,1		C415	2203-005061	C-CERAMIC,CHIP;100nF,+80-20%,16V,Y5V,TP,	
C105	2203-002717	C-CERAMIC,CHIP;10nF,+80-20%,50V,Y5V,TP,1		C416	2203-005061	C-CERAMIC,CHIP;100nF,+80-20%,16V,Y5V,TP,	
C106	2203-002717	C-CERAMIC,CHIP;10nF,+80-20%,50V,Y5V,TP,1		C418	2203-002338	C-CERAMIC,CHIP;0.015nF,5%,50V,NP0,TP,100	
C107	2203-002717	C-CERAMIC,CHIP;10nF,+80-20%,50V,Y5V,TP,1		C419	2203-002338	C-CERAMIC,CHIP;0.015nF,5%,50V,NP0,TP,100	
C108	2203-005061	C-CERAMIC,CHIP;100nF,+80-20%,16V,Y5V,TP,		C423	2203-002982	C-CERAMIC,CHIP;6.8nF,10%,50V,X7R,TP,1005	
C109	2203-002443	C-CERAMIC,CHIP;0.33nF,10%,50V,X7R,TP,100		C424	2203-002982	C-CERAMIC,CHIP;6.8nF,10%,50V,X7R,TP,1005	
C110	2203-002487	C-CERAMIC,CHIP;4.7nF,10%,25V,X7R,TP,1005		C425	2203-002717	C-CERAMIC,CHIP;10nF,+80-20%,50V,Y5V,TP,1	
C114	2203-005061	C-CERAMIC,CHIP;100nF,+80-20%,16V,Y5V,TP,		C426	2203-002717	C-CERAMIC,CHIP;10nF,+80-20%,50V,Y5V,TP,1	
C115	2203-005061	C-CERAMIC,CHIP;100nF,+80-20%,16V,Y5V,TP,		C502	2203-002717	C-CERAMIC,CHIP;10nF,+80-20%,50V,Y5V,TP,1	
C116	2203-005061	C-CERAMIC,CHIP;100nF,+80-20%,16V,Y5V,TP,		C503	2404-001039	C-TA,CHIP;47uF,20%,6.3V,GP,TP,3528,-	
C117	2203-005061	C-CERAMIC,CHIP;100nF,+80-20%,16V,Y5V,TP,		C504	2203-005061	C-CERAMIC,CHIP;100nF,+80-20%,16V,Y5V,TP,	
C118	2203-002885	C-CERAMIC,CHIP;33nF,+80-20%,50V,Y5V,TP,1		C505	2404-001039	C-TA,CHIP;47uF,20%,6.3V,GP,TP,3528,-	
C119	2203-005061	C-CERAMIC,CHIP;100nF,+80-20%,16V,Y5V,TP,		C506	2203-005061	C-CERAMIC,CHIP;100nF,+80-20%,16V,Y5V,TP,	
C120	2203-005061	C-CERAMIC,CHIP;100nF,+80-20%,16V,Y5V,TP,		C507	2203-002338	C-CERAMIC,CHIP;0.015nF,5%,50V,NP0,TP,100	
C124	2203-005061	C-CERAMIC,CHIP;100nF,+80-20%,16V,Y5V,TP,		C508	2203-000679	C-CERAMIC,CHIP;0.027nF,5%,50V,NP0,TP,100	
C125	2203-000585	C-CERAMIC,CHIP;220pF,10%,50V,X7R,TP,1005		C509	2203-005061	C-CERAMIC,CHIP;100nF,+80-20%,16V,Y5V,TP,	
C126	2203-000585	C-CERAMIC,CHIP;220pF,10%,50V,X7R,TP,1005		C510	2203-000330	C-CERAMIC,CHIP;0.012nF,5%,50V,NP0,TP,100	
C141	2404-001020	C-TA,CHIP;10uF,20%,10V,GP,TP,3216,3.2		C511	2203-000330	C-CERAMIC,CHIP;0.012nF,5%,50V,NP0,TP,100	
C142	2203-005061	C-CERAMIC,CHIP;100nF,+80-20%,16V,Y5V,TP,		C513	2203-005061	C-CERAMIC,CHIP;100nF,+80-20%,16V,Y5V,TP,	
C143	2404-001020	C-TA,CHIP;10uF,20%,10V,GP,TP,3216,3.2		C515	2203-002717	C-CERAMIC,CHIP;10nF,+80-20%,50V,Y5V,TP,1	
C144	2203-005061	C-CERAMIC,CHIP;100nF,+80-20%,16V,Y5V,TP,		C520	2203-002717	C-CERAMIC,CHIP;10nF,+80-20%,50V,Y5V,TP,1	
C145	2404-001039	C-TA,CHIP;47uF,20%,6.3V,GP,TP,3528,-		C521	2203-002717	C-CERAMIC,CHIP;10nF,+80-20%,50V,Y5V,TP,1	
C303	2203-002338	C-CERAMIC,CHIP;0.015nF,5%,50V,NP0,TP,100		C522	2203-002717	C-CERAMIC,CHIP;10nF,+80-20%,50V,Y5V,TP,1	
C304	2203-000812	C-CERAMIC,CHIP;0.033nF,5%,50V,NP0,TP,100		C523	2203-002717	C-CERAMIC,CHIP;10nF,+80-20%,50V,Y5V,TP,1	
C305	2203-005061	C-CERAMIC,CHIP;100nF,+80-20%,16V,Y5V,TP,		C525	2203-005061	C-CERAMIC,CHIP;100nF,+80-20%,16V,Y5V,TP,	
C307	2404-000167	C-TA,CHIP;2.2uF,20%,16V,-,TP,3216,-		C526	2203-002717	C-CERAMIC,CHIP;10nF,+80-20%,50V,Y5V,TP,1	
C308	2203-005061	C-CERAMIC,CHIP;100nF,+80-20%,16V,Y5V,TP,		C527	2203-002717	C-CERAMIC,CHIP;10nF,+80-20%,50V,Y5V,TP,1	
C309	2404-000167	C-TA,CHIP;2.2uF,20%,16V,-,TP,3216,-		C528	2203-005061	C-CERAMIC,CHIP;100nF,+80-20%,16V,Y5V,TP,	
C312	2404-001131	C-TA,CHIP;22uF,20%,10V,GP,TP,3528		C529	2203-005061	C-CERAMIC,CHIP;100nF,+80-20%,16V,Y5V,TP,	
C313	2203-000254	C-CERAMIC,CHIP;10nF,10%,16V,X7R,TP,1005,		C530	2203-002717	C-CERAMIC,CHIP;10nF,+80-20%,50V,Y5V,TP,1	
C314	2203-000254	C-CERAMIC,CHIP;10nF,10%,16V,X7R,TP,1005,		C531	2203-002717	C-CERAMIC,CHIP;10nF,+80-20%,50V,Y5V,TP,1	
C315	2404-001020	C-TA,CHIP;10uF,20%,10V,GP,TP,3216,3.2		C533	2203-005061	C-CERAMIC,CHIP;100nF,+80-20%,16V,Y5V,TP,	
C316	2404-000293	C-TA,CHIP;220uF,10%,6.3V,GP,TP,7343H		C534	2203-002793	C-CERAMIC,CHIP;1000nF,+80-20%,25V,Y5V,TP,	
C317	2404-001131	C-TA,CHIP;22uF,20%,10V,GP,TP,3528		C535	2203-005061	C-CERAMIC,CHIP;100nF,+80-20%,16V,Y5V,TP,	
C318	2404-001131	C-TA,CHIP;22uF,20%,10V,GP,TP,3528		C536	2203-005148	C-CERAMIC,CHIP;100nF,10%,16V,X7R,TP,1608	
C319	2404-000293	C-TA,CHIP;220uF,10%,6.3V,GP,TP,7343H		C601	2203-005148	C-CERAMIC,CHIP;100nF,10%,16V,X7R,TP,1608	
C320	2203-005061	C-CERAMIC,CHIP;100nF,+80-20%,16V,Y5V,TP,		C602	2203-005148	C-CERAMIC,CHIP;100nF,10%,16V,X7R,TP,1608	
C321	2203-002793	C-CERAMIC,CHIP;1000nF,+80-20%,25V,Y5V,TP,		C603	2203-005148	C-CERAMIC,CHIP;100nF,10%,16V,X7R,TP,1608	
C322	2404-001131	C-TA,CHIP;22uF,20%,10V,GP,TP,3528		C620	2203-000438	C-CERAMIC,CHIP;1nF,10%,50V,X7R,TP,1005,-	

## Electrical Parts List

Loc.No	Part No	Desc & Spec	Remark	Loc.No	Part No	Desc & Spec	Remark
C622	2203-005061	C-CERAMIC,CHIP;100nF,+80-20%,16V,Y5V,TP,		C756	2404-001020	C-TA,CHIP;10uF,20%,10V,GP,TP,3216,3.2	
C630	2203-005061	C-CERAMIC,CHIP;100nF,+80-20%,16V,Y5V,TP,		C760	2404-001020	C-TA,CHIP;10uF,20%,10V,GP,TP,3216,3.2	
C631	2203-005061	C-CERAMIC,CHIP;100nF,+80-20%,16V,Y5V,TP,		C761	2404-001020	C-TA,CHIP;10uF,20%,10V,GP,TP,3216,3.2	
C632	2203-005061	C-CERAMIC,CHIP;100nF,+80-20%,16V,Y5V,TP,		C767	2404-001020	C-TA,CHIP;10uF,20%,10V,GP,TP,3216,3.2	
C633	2203-005061	C-CERAMIC,CHIP;100nF,+80-20%,16V,Y5V,TP,		C768	2203-000254	C-CERAMIC,CHIP;10nF,10%,16V,X7R,TP,1005,	
C640	2203-005061	C-CERAMIC,CHIP;100nF,+80-20%,16V,Y5V,TP,		C769	2203-002487	C-CERAMIC,CHIP;4.7nF,10%,25V,X7R,TP,1005	
C650	2404-000284	C-TA,CHIP;10uF,20%,16V,-,TP,3528,-		C770	2203-002487	C-CERAMIC,CHIP;4.7nF,10%,25V,X7R,TP,1005	
C651	2404-000284	C-TA,CHIP;10uF,20%,16V,-,TP,3528,-		C771	2203-005061	C-CERAMIC,CHIP;100nF,+80-20%,16V,Y5V,TP,	
C655	2404-001131	C-TA,CHIP;22uF,20%,10V,GP,TP,3528		C772	2203-005061	C-CERAMIC,CHIP;100nF,+80-20%,16V,Y5V,TP,	
C656	2404-000284	C-TA,CHIP;10uF,20%,16V,-,TP,3528,-		C9002	2404-000284	C-TA,CHIP;10uF,20%,16V,-,TP,3528,-	
C671	2203-005061	C-CERAMIC,CHIP;100nF,+80-20%,16V,Y5V,TP,		C9004	2404-000284	C-TA,CHIP;10uF,20%,16V,-,TP,3528,-	
C672	2203-005061	C-CERAMIC,CHIP;100nF,+80-20%,16V,Y5V,TP,		C9005	2203-005644	C-CERAMIC,CHIP;10000nF,10%,6.3V,X5R,TP,3	
C673	2203-000888	C-CERAMIC,CHIP;4.7nF,10%,50V,X7R,TP,1608		C9010	2404-001020	C-TA,CHIP;10uF,20%,10V,GP,TP,3216,3.2	
C674	2203-000975	C-CERAMIC,CHIP;47nF,10%,25V,X7R,TP,1608,		C9011	2203-005619	C-CERAMIC,CHIP;4700nF,10%,16V,X5R,TP,321	
C676	2203-000491	C-CERAMIC,CHIP;2.2nF,10%,50V,X7R,TP,1608		C9013	2203-005619	C-CERAMIC,CHIP;4700nF,10%,16V,X5R,TP,321	
C677	2203-000491	C-CERAMIC,CHIP;2.2nF,10%,50V,X7R,TP,1608		C9014	2203-005619	C-CERAMIC,CHIP;4700nF,10%,16V,X5R,TP,321	
C678	2203-005148	C-CERAMIC,CHIP;100nF,10%,16V,X7R,TP,1608		C9015	2203-000560	C-CERAMIC,CHIP;220nF,+80-20%,25V,Y5V,TP,	
C679	2203-002793	C-CERAMIC,CHIP;1000nF,+80-20%,25V,Y5V,TP,		C9017	2203-000714	C-CERAMIC,CHIP;3.3nF,10%,50V,X7R,TP,1005	
C680	2203-000236	C-CERAMIC,CHIP;0.1nF,5%,50V,NPO,TP,1608		C9019	2203-000941	C-CERAMIC,CHIP;470pF,10%,50V,X7R,TP,1005	
C681	2203-000236	C-CERAMIC,CHIP;0.1nF,5%,50V,NPO,TP,1608		C9021	2203-000941	C-CERAMIC,CHIP;470pF,10%,50V,X7R,TP,1005	
C682	2203-000236	C-CERAMIC,CHIP;0.1nF,5%,50V,NPO,TP,1608		C9022	2203-000941	C-CERAMIC,CHIP;470pF,10%,50V,X7R,TP,1005	
C683	2203-000799	C-CERAMIC,CHIP;33nF,10%,16V,X7R,TP,1608		C9024	2203-000941	C-CERAMIC,CHIP;470pF,10%,50V,X7R,TP,1005	
C684	2203-005148	C-CERAMIC,CHIP;100nF,10%,16V,X7R,TP,1608		C9026	2203-000714	C-CERAMIC,CHIP;3.3nF,10%,50V,X7R,TP,1005	
C685	2203-005148	C-CERAMIC,CHIP;100nF,10%,16V,X7R,TP,1608		C9027	2203-000714	C-CERAMIC,CHIP;3.3nF,10%,50V,X7R,TP,1005	
C686	2203-005148	C-CERAMIC,CHIP;100nF,10%,16V,X7R,TP,1608		C9028	2203-005061	C-CERAMIC,CHIP;100nF,+80-20%,16V,Y5V,TP,	
C687	2203-005061	C-CERAMIC,CHIP;100nF,+80-20%,16V,Y5V,TP,		C9029	2203-000585	C-CERAMIC,CHIP;220pF,10%,50V,X7R,TP,1005	
C701	2203-000489	C-CERAMIC,CHIP;2.2nF,10%,50V,X7R,TP,1005		C9030	2203-000585	C-CERAMIC,CHIP;220pF,10%,50V,X7R,TP,1005	
C702	2203-000254	C-CERAMIC,CHIP;100nF,10%,16V,X7R,TP,1005,		C9031	2203-000585	C-CERAMIC,CHIP;220pF,10%,50V,X7R,TP,1005	
C703	2203-005247	C-CERAMIC,CHIP;68nF,+80-20%,16V,Y5V,TP,1		C904	2203-005061	C-CERAMIC,CHIP;100nF,+80-20%,16V,Y5V,TP,	
C704	2203-001405	C-CERAMIC,CHIP;22nF,+80-20%,25V,Y5V,TP,1		C905	2203-005061	C-CERAMIC,CHIP;100nF,+80-20%,16V,Y5V,TP,	
C705	2203-005061	C-CERAMIC,CHIP;100nF,+80-20%,16V,Y5V,TP,		C9050	2203-000714	C-CERAMIC,CHIP;3.3nF,10%,50V,X7R,TP,1005	
C706	2404-000232	C-TA,CHIP;4.7uF,20%,10V,-,TP,3216,-		C9051	2203-000585	C-CERAMIC,CHIP;220pF,10%,50V,X7R,TP,1005	
C707	2203-005061	C-CERAMIC,CHIP;100nF,+80-20%,16V,Y5V,TP,		C9052	2203-005619	C-CERAMIC,CHIP;4700nF,10%,16V,X5R,TP,321	
C708	2404-001039	C-TA,CHIP;47uF,20%,6.3V,GP,TP,3528,-		C9053	2404-000284	C-TA,CHIP;10uF,20%,16V,-,TP,3528,-	
C709	2203-000438	C-CERAMIC,CHIP;1nF,10%,50V,X7R,TP,1005,-		C906	2203-005061	C-CERAMIC,CHIP;100nF,+80-20%,16V,Y5V,TP,	
C710	2203-005061	C-CERAMIC,CHIP;100nF,+80-20%,16V,Y5V,TP,		C907	2203-000560	C-CERAMIC,CHIP;220nF,+80-20%,25V,Y5V,TP,	
C711	2404-000232	C-TA,CHIP;4.7uF,20%,10V,-,TP,3216,-		C908	2203-005659	C-CERAMIC,CHIP;0.18nF,5%,50V,NPO,TP,1005	
C712	2203-005061	C-CERAMIC,CHIP;100nF,+80-20%,16V,Y5V,TP,		C910	2203-000941	C-CERAMIC,CHIP;470pF,10%,50V,X7R,TP,1005	
C713	2203-001405	C-CERAMIC,CHIP;22nF,+80-20%,25V,Y5V,TP,1		C912	2203-002982	C-CERAMIC,CHIP;6.8nF,10%,50V,X7R,TP,1005	
C714	2203-005247	C-CERAMIC,CHIP;68nF,+80-20%,16V,Y5V,TP,1		C913	2203-005644	C-CERAMIC,CHIP;10000nF,10%,6.3V,X5R,TP,3	
C715	2203-000489	C-CERAMIC,CHIP;2.2nF,10%,50V,X7R,TP,1005		C919	2203-005619	C-CERAMIC,CHIP;4700nF,10%,16V,X5R,TP,321	
C716	2203-000254	C-CERAMIC,CHIP;10nF,10%,16V,X7R,TP,1005,		C920	2203-000714	C-CERAMIC,CHIP;3.3nF,10%,50V,X7R,TP,1005	
C717	2203-005061	C-CERAMIC,CHIP;100nF,+80-20%,16V,Y5V,TP,		C922	2203-000941	C-CERAMIC,CHIP;470pF,10%,50V,X7R,TP,1005	
C718	2203-001432	C-CERAMIC,CHIP;47nF,+80-20%,16V,Y5V,TP,1		C923	2404-000284	C-TA,CHIP;10uF,20%,16V,-,TP,3528,-	
C719	2203-000560	C-CERAMIC,CHIP;220nF,+80-20%,25V,Y5V,TP,		C924	2404-001020	C-TA,CHIP;10uF,20%,10V,GP,TP,3216,3.2	
C720	2203-000138	C-CERAMIC,CHIP;1.5nF,10%,50V,X7R,TP,1005		C925	2404-001020	C-TA,CHIP;10uF,20%,10V,GP,TP,3216,3.2	
C721	2203-005061	C-CERAMIC,CHIP;100nF,+80-20%,16V,Y5V,TP,		C930	2203-000714	C-CERAMIC,CHIP;3.3nF,10%,50V,X7R,TP,1005	
C722	2404-000232	C-TA,CHIP;4.7uF,20%,10V,-,TP,3216,-		C931	2203-005619	C-CERAMIC,CHIP;4700nF,10%,16V,X5R,TP,321	
C723	2404-000167	C-TA,CHIP;2.2uF,20%,16V,-,TP,3216,-		C932	2203-005619	C-CERAMIC,CHIP;4700nF,10%,16V,X5R,TP,321	
C724	2203-000560	C-CERAMIC,CHIP;220nF,+80-20%,25V,Y5V,TP,		C933	2203-005619	C-CERAMIC,CHIP;4700nF,10%,16V,X5R,TP,321	
C725	2203-005061	C-CERAMIC,CHIP;100nF,+80-20%,16V,Y5V,TP,		C934	2203-000483	C-CERAMIC,CHIP;1000nF,+80-20%,25V,Y5V,TP	
C726	2203-005061	C-CERAMIC,CHIP;100nF,+80-20%,16V,Y5V,TP,		C935	2203-005619	C-CERAMIC,CHIP;4700nF,10%,16V,X5R,TP,321	
C727	2404-000275	C-TA,CHIP;100uF,10%,10V,GP,TP,7343		C936	2203-000483	C-CERAMIC,CHIP;1000nF,+80-20%,25V,Y5V,TP	
C728	2404-001039	C-TA,CHIP;47uF,20%,6.3V,GP,TP,3528,-		C937	2203-000483	C-CERAMIC,CHIP;1000nF,+80-20%,25V,Y5V,TP	
C729	2404-001039	C-TA,CHIP;47uF,20%,6.3V,GP,TP,3528,-		C938	2203-000483	C-CERAMIC,CHIP;1000nF,+80-20%,25V,Y5V,TP	
C730	2203-000560	C-CERAMIC,CHIP;220nF,+80-20%,25V,Y5V,TP,		C939	2203-000483	C-CERAMIC,CHIP;1000nF,+80-20%,25V,Y5V,TP	
C735	2404-001039	C-TA,CHIP;47uF,20%,6.3V,GP,TP,3528,-		C940	2203-000714	C-CERAMIC,CHIP;3.3nF,10%,50V,X7R,TP,1005	
C736	2404-000232	C-TA,CHIP;4.7uF,20%,10V,-,TP,3216,-		C941	2203-000941	C-CERAMIC,CHIP;470pF,10%,50V,X7R,TP,1005	
C737	2203-005061	C-CERAMIC,CHIP;100nF,+80-20%,16V,Y5V,TP,		C943	2203-005644	C-CERAMIC,CHIP;10000nF,10%,6.3V,X5R,TP,3	
C738	2404-001039	C-TA,CHIP;47uF,20%,6.3V,GP,TP,3528,-		C944	2404-001131	C-TA,CHIP;22uF,20%,10V,GP,TP,3528	
C739	2203-005061	C-CERAMIC,CHIP;100nF,+80-20%,16V,Y5V,TP,		C951	2203-000812	C-CERAMIC,CHIP;0.033nF,5%,50V,NPO,TP,100	
C740	2203-000138	C-CERAMIC,CHIP;1.5nF,10%,50V,X7R,TP,1005		C952	2203-000941	C-CERAMIC,CHIP;470pF,10%,50V,X7R,TP,1005	
C741	2203-001432	C-CERAMIC,CHIP;47nF,+80-20%,16V,Y5V,TP,1		C953	2404-000284	C-TA,CHIP;10uF,20%,16V,-,TP,3528,-	
C742	2203-005061	C-CERAMIC,CHIP;100nF,+80-20%,16V,Y5V,TP,		C955	2203-000254	C-CERAMIC,CHIP;10nF,10%,16V,X7R,TP,1005,	
C743	2203-000560	C-CERAMIC,CHIP;220nF,+80-20%,25V,Y5V,TP,		C959	2203-005619	C-CERAMIC,CHIP;4700nF,10%,16V,X5R,TP,321	
C746	2203-000438	C-CERAMIC,CHIP;1nF,10%,50V,X7R,TP,1005,-		C960	2203-000812	C-CERAMIC,CHIP;0.033nF,5%,50V,NPO,TP,100	
C747	2203-000438	C-CERAMIC,CHIP;1nF,10%,50V,X7R,TP,1005,-		C961	2203-000941	C-CERAMIC,CHIP;470pF,10%,50V,X7R,TP,1005	
C750	2203-005061	C-CERAMIC,CHIP;100nF,+80-20%,16V,Y5V,TP,		C962	2404-000284	C-TA,CHIP;10uF,20%,16V,-,TP,3528,-	
C751	2203-000489	C-CERAMIC,CHIP;2.2nF,10%,50V,X7R,TP,1005		C963	2203-000254	C-CERAMIC,CHIP;10nF,10%,16V,X7R,TP,1005,	
C752	2404-000232	C-TA,CHIP;4.7uF,20%,10V,-,TP,3216,-		C969	2203-005619	C-CERAMIC,CHIP;4700nF,10%,16V,X5R,TP,321	
C753	2203-000489	C-CERAMIC,CHIP;2.2nF,10%,50V,X7R,TP,1005		C983	2203-000941	C-CERAMIC,CHIP;470pF,10%,50V,X7R,TP,1005	
C754	2404-001020	C-TA,CHIP;10uF,20%,10V,GP,TP,3216,3.2		C991	2404-001020	C-TA,CHIP;10uF,20%,10V,GP,TP,3216,3.2	
C755	2203-005061	C-CERAMIC,CHIP;100nF,+80-20%,16V,Y5V,TP,		C992	2404-000335	C-TA,CHIP;3.3uF,20%,16V,GP,TP,3216	

Loc.No	Part No	Desc & Spec	Remark	Loc.No	Part No	Desc & Spec	Remark
CA01	2203-002793	C-CERAMIC,CHIP;1000nF,+80-20%,25V,Y5V,TP		CD11	2203-005061	C-CERAMIC,CHIP;100nF,+80-20%,16V,Y5V,TP	
CA02	2404-000190	C-TA,CHIP;22uF,20%,16V,-,TP,5832,-		CD12	2203-005061	C-CERAMIC,CHIP;100nF,+80-20%,16V,Y5V,TP	
CA03	2203-005061	C-CERAMIC,CHIP;100nF,+80-20%,16V,Y5V,TP		CD13	2203-005061	C-CERAMIC,CHIP;100nF,+80-20%,16V,Y5V,TP	
CA05	2203-002793	C-CERAMIC,CHIP;1000nF,+80-20%,25V,Y5V,TP		CD14	2203-005061	C-CERAMIC,CHIP;100nF,+80-20%,16V,Y5V,TP	
CA06	2203-002793	C-CERAMIC,CHIP;1000nF,+80-20%,25V,Y5V,TP		CD15	2203-000995	C-CERAMIC,CHIP;0.047nF,5%,50V,NP0,TP,100	
CA07	2203-002793	C-CERAMIC,CHIP;1000nF,+80-20%,25V,Y5V,TP		CI01	2203-005061	C-CERAMIC,CHIP;100nF,+80-20%,16V,Y5V,TP	
CA10	2203-000257	C-CERAMIC,CHIP;10nF,10%,50V,X7R,TP,1608		CI02	2203-005061	C-CERAMIC,CHIP;100nF,+80-20%,16V,Y5V,TP	
CA11	2203-001630	C-CERAMIC,CHIP;330nF,+80-20%,16V,Y5V,TP		CI03	2203-005061	C-CERAMIC,CHIP;100nF,+80-20%,16V,Y5V,TP	
CA12	2203-000189	C-CERAMIC,CHIP;100nF,+80-20%,25V,Y5V,TP		CI04	2404-001020	C-TA,CHIP;10uF,20%,10V,GP,TP,3216,3.2	
CA13	2203-005061	C-CERAMIC,CHIP;100nF,+80-20%,16V,Y5V,TP		CI05	2203-000438	C-CERAMIC,CHIP;1nF,10%,50V,X7R,TP,1005,-	
CA14	2404-001020	C-TA,CHIP;10uF,20%,10V,GP,TP,3216,3.2		CI06	2203-005061	C-CERAMIC,CHIP;100nF,+80-20%,16V,Y5V,TP	
CA20	2404-000190	C-TA,CHIP;22uF,20%,16V,-,TP,5832,-		CI07	2404-001020	C-TA,CHIP;10uF,20%,10V,GP,TP,3216,3.2	
CA21	2203-000189	C-CERAMIC,CHIP;100nF,+80-20%,25V,Y5V,TP		CI08	2203-000438	C-CERAMIC,CHIP;1nF,10%,50V,X7R,TP,1005,-	
CA22	2203-000812	C-CERAMIC,CHIP;0.033nF,5%,50V,NP0,TP,100		CI09	2203-005061	C-CERAMIC,CHIP;100nF,+80-20%,16V,Y5V,TP	
CA23	2203-005061	C-CERAMIC,CHIP;100nF,+80-20%,16V,Y5V,TP		CI10	2203-005061	C-CERAMIC,CHIP;100nF,+80-20%,16V,Y5V,TP	
CA24	2203-005061	C-CERAMIC,CHIP;100nF,+80-20%,16V,Y5V,TP		CI11	2203-005061	C-CERAMIC,CHIP;100nF,+80-20%,16V,Y5V,TP	
CA25	2203-005061	C-CERAMIC,CHIP;100nF,+80-20%,16V,Y5V,TP		CI12	2203-000438	C-CERAMIC,CHIP;1nF,10%,50V,X7R,TP,1005,-	
CA26	2203-005061	C-CERAMIC,CHIP;100nF,+80-20%,16V,Y5V,TP		CI13	2203-005061	C-CERAMIC,CHIP;100nF,+80-20%,16V,Y5V,TP	
CA27	2203-005061	C-CERAMIC,CHIP;100nF,+80-20%,16V,Y5V,TP		CI14	2203-000438	C-CERAMIC,CHIP;1nF,10%,50V,X7R,TP,1005,-	
CA28	2203-005061	C-CERAMIC,CHIP;100nF,+80-20%,16V,Y5V,TP		CI15	2203-005061	C-CERAMIC,CHIP;100nF,+80-20%,16V,Y5V,TP	
CA29	2203-005061	C-CERAMIC,CHIP;100nF,+80-20%,16V,Y5V,TP		CI16	2203-000330	C-CERAMIC,CHIP;0.012nF,5%,50V,NP0,TP,100	
CA30	2404-000232	C-TA,CHIP;4.7uF,20%,10V,-,TP,3216,-		CI17	2203-000330	C-CERAMIC,CHIP;0.012nF,5%,50V,NP0,TP,100	
CC01	2203-000812	C-CERAMIC,CHIP;0.033nF,5%,50V,NP0,TP,100		CI18	2404-000151	C-TA,CHIP;1uF,20%,16V,-,TP,3216,-	
CC02	2203-001408	C-CERAMIC,CHIP;0.27nF,5%,50V,NP0,TP,1608		CI19	2203-000585	C-CERAMIC,CHIP;220pF,10%,50V,X7R,TP,1005	
CC05	2404-000167	C-TA,CHIP;2.2uF,20%,16V,-,TP,3216,-		CI20	2203-005061	C-CERAMIC,CHIP;100nF,+80-20%,16V,Y5V,TP	
CC06	2404-001020	C-TA,CHIP;10uF,20%,10V,GP,TP,3216,3.2		CI21	2404-001020	C-TA,CHIP;10uF,20%,10V,GP,TP,3216,3.2	
CC07	2404-000167	C-TA,CHIP;2.2uF,20%,16V,-,TP,3216,-		CI24	2203-005061	C-CERAMIC,CHIP;100nF,+80-20%,16V,Y5V,TP	
CC08	2404-001020	C-TA,CHIP;10uF,20%,10V,GP,TP,3216,3.2		CI25	2203-005061	C-CERAMIC,CHIP;100nF,+80-20%,16V,Y5V,TP	
CC09	2203-000438	C-CERAMIC,CHIP;1nF,10%,50V,X7R,TP,1005,-		CI26	2203-005061	C-CERAMIC,CHIP;100nF,+80-20%,16V,Y5V,TP	
CC10	2404-001020	C-TA,CHIP;10uF,20%,10V,GP,TP,3216,3.2		CI28	2203-005061	C-CERAMIC,CHIP;100nF,+80-20%,16V,Y5V,TP	
CC11	2203-002717	C-CERAMIC,CHIP;10nF,+80-20%,50V,Y5V,TP,1		CI29	2203-005061	C-CERAMIC,CHIP;100nF,+80-20%,16V,Y5V,TP	
CC12	2203-002793	C-CERAMIC,CHIP;1000nF,+80-20%,25V,Y5V,TP		CI30	2203-005061	C-CERAMIC,CHIP;100nF,+80-20%,16V,Y5V,TP	
CC13	2203-000278	C-CERAMIC,CHIP;0.01nF,0.5pF,50V,NP0,TP,1		CI31	2203-005061	C-CERAMIC,CHIP;100nF,+80-20%,16V,Y5V,TP	
CC14	2203-002982	C-CERAMIC,CHIP;6.8nF,10%,50V,X7R,TP,1005		CI32	2203-005061	C-CERAMIC,CHIP;100nF,+80-20%,16V,Y5V,TP	
CC15	2404-001020	C-TA,CHIP;10uF,20%,10V,GP,TP,3216,3.2		CN101	3708-001111	CONNECTOR-FPC/FC/PIC;14P,0.5mm,SMD-A,SN	
CC16	2203-002717	C-CERAMIC,CHIP;10nF,+80-20%,50V,Y5V,TP,1		CN301	3708-001115	CONNECTOR-FPC/FC/PIC;40P,0.5mm,SMD-S,SN	
CC17	2203-002793	C-CERAMIC,CHIP;1000nF,+80-20%,25V,Y5V,TP		CN402	3710-001215	CONNECTOR-SOCKET;10P,2R,0.8mm,SMD-S,SN	
CC18	2203-000278	C-CERAMIC,CHIP;0.01nF,0.5pF,50V,NP0,TP,1		CN601	3708-001022	CONNECTOR-FPC/FC/PIC;18P,0.5mm,ANGLE,S	
CC19	2203-002982	C-CERAMIC,CHIP;6.8nF,10%,50V,X7R,TP,1005		CN602	3708-001598	CONNECTOR-FPC/FC/PIC;19P,0.5mm,SMD-A-T,S	
CC20	2203-000278	C-CERAMIC,CHIP;0.01nF,0.5pF,50V,NP0,TP,1		CN603	3708-001235	CONNECTOR-FPC/FC/PIC;10P,0.5mm,SMD-S,SN	
CC21	2203-002982	C-CERAMIC,CHIP;6.8nF,10%,50V,X7R,TP,1005		CN604	3708-001134	CONNECTOR-FPC/FC/PIC;11P,0.5mm,SMD-A,SN	
CC22	2404-001020	C-TA,CHIP;10uF,20%,10V,GP,TP,3216,3.2		CN701	3711-000922	CONNECTOR-HEADER;BOX,4P,1R,1.25mm,SMD-A,	
CC23	2203-005061	C-CERAMIC,CHIP;100nF,+80-20%,16V,Y5V,TP		CN901	3710-000554	CONNECTOR-SOCKET;40P,2R,0.8mm,SMD-A,SN	
CC24	2203-005061	C-CERAMIC,CHIP;100nF,+80-20%,16V,Y5V,TP		CN902	3711-002162	CONNECTOR-HEADER;3WALL,2P,1R,1.25mm,SMD-	
CC25	2203-005061	C-CERAMIC,CHIP;100nF,+80-20%,16V,Y5V,TP		CNA01	3708-001071	CONNECTOR-FPC/FC/PIC;22P,0.5mm,SMD-S,SN	
CC26	2404-001020	C-TA,CHIP;10uF,20%,10V,GP,TP,3216,3.2		CNC01	3708-001115	CONNECTOR-FPC/FC/PIC;40P,0.5mm,SMD-S,SN	
CC27	2203-005061	C-CERAMIC,CHIP;100nF,+80-20%,16V,Y5V,TP		CNI01	3708-001070	CONNECTOR-FPC/FC/PIC;22P,0.5mm,SMD-A,SN	
CC28	2203-005061	C-CERAMIC,CHIP;100nF,+80-20%,16V,Y5V,TP		CNP01	3710-001478	CONNECTOR-SOCKET;18P,2R,1MM,SMD-S,SN	
CC29	2203-005061	C-CERAMIC,CHIP;100nF,+80-20%,16V,Y5V,TP		CP02	2203-002793	C-CERAMIC,CHIP;1000nF,+80-20%,25V,Y5V,TP	
CC30	2203-005061	C-CERAMIC,CHIP;100nF,+80-20%,16V,Y5V,TP		CP03	2404-001039	C-TA,CHIP;47uF,20%,6.3V,GP,TP,3528,-	
CC31	2404-001020	C-TA,CHIP;10uF,20%,10V,GP,TP,3216,3.2		CP05	2404-000218	C-TA,CHIP;330nF,20%,35V,-,TP,3216,-	
CC32	2203-005061	C-CERAMIC,CHIP;100nF,+80-20%,16V,Y5V,TP		CP06	2203-005061	C-CERAMIC,CHIP;100nF,+80-20%,16V,Y5V,TP	
CC33	2203-005061	C-CERAMIC,CHIP;100nF,+80-20%,16V,Y5V,TP		CP07	2203-005061	C-CERAMIC,CHIP;100nF,+80-20%,16V,Y5V,TP	
CC35	2203-005061	C-CERAMIC,CHIP;100nF,+80-20%,16V,Y5V,TP		CP08	2203-005061	C-CERAMIC,CHIP;100nF,+80-20%,16V,Y5V,TP	
CC38	2404-001020	C-TA,CHIP;10uF,20%,10V,GP,TP,3216,3.2		CP10	2203-000189	C-CERAMIC,CHIP;100nF,+80-20%,25V,Y5V,TP	
CC39	2203-005061	C-CERAMIC,CHIP;100nF,+80-20%,16V,Y5V,TP		CP11	2203-002793	C-CERAMIC,CHIP;1000nF,+80-20%,25V,Y5V,TP	
CC40	2203-005061	C-CERAMIC,CHIP;100nF,+80-20%,16V,Y5V,TP		CP12	2203-000189	C-CERAMIC,CHIP;100nF,+80-20%,25V,Y5V,TP	
CC41	2203-002717	C-CERAMIC,CHIP;10nF,+80-20%,50V,Y5V,TP,1		CP13	2203-002793	C-CERAMIC,CHIP;1000nF,+80-20%,25V,Y5V,TP	
CC42	2203-002717	C-CERAMIC,CHIP;10nF,+80-20%,50V,Y5V,TP,1		CP14	2203-002793	C-CERAMIC,CHIP;1000nF,+80-20%,25V,Y5V,TP	
CC43	2203-005061	C-CERAMIC,CHIP;100nF,+80-20%,16V,Y5V,TP		CP15	2203-002793	C-CERAMIC,CHIP;1000nF,+80-20%,25V,Y5V,TP	
CC44	2203-005061	C-CERAMIC,CHIP;100nF,+80-20%,16V,Y5V,TP		CP16	2404-001020	C-TA,CHIP;10uF,20%,10V,GP,TP,3216,3.2	
CC45	2203-002717	C-CERAMIC,CHIP;10nF,+80-20%,50V,Y5V,TP,1		CP18	2203-002793	C-CERAMIC,CHIP;1000nF,+80-20%,25V,Y5V,TP	
CC46	2007-000033	R-CHIP;0OHM,5%,1/8W,DA,TP,3216		CP19	2404-001039	C-TA,CHIP;47uF,20%,6.3V,GP,TP,3528,-	
CC47	2203-005061	C-CERAMIC,CHIP;100nF,+80-20%,16V,Y5V,TP		CP20	2404-000232	C-TA,CHIP;4.7uF,20%,10V,-,TP,3216,-	
CC48	2203-001153	C-CERAMIC,CHIP;0.068nF,5%,50V,NP0,TP,100		CP21	2203-005061	C-CERAMIC,CHIP;100nF,+80-20%,16V,Y5V,TP	
CD01	2404-001020	C-TA,CHIP;10uF,20%,10V,GP,TP,3216,3.2		CP22	2203-005061	C-CERAMIC,CHIP;100nF,+80-20%,16V,Y5V,TP	
CD02	2203-005061	C-CERAMIC,CHIP;100nF,+80-20%,16V,Y5V,TP		CP23	2203-005061	C-CERAMIC,CHIP;100nF,+80-20%,16V,Y5V,TP	
CD03	2203-000278	C-CERAMIC,CHIP;0.01nF,0.5pF,50V,NP0,TP,1		CP24	2203-002793	C-CERAMIC,CHIP;1000nF,+80-20%,25V,Y5V,TP	
CD04	2203-000812	C-CERAMIC,CHIP;0.033nF,5%,50V,NP0,TP,100		CP25	2404-001039	C-TA,CHIP;47uF,20%,6.3V,GP,TP,3528,-	
CD07	2203-005061	C-CERAMIC,CHIP;100nF,+80-20%,16V,Y5V,TP		CP26	2203-005061	C-CERAMIC,CHIP;100nF,+80-20%,16V,Y5V,TP	
CD08	2203-005061	C-CERAMIC,CHIP;100nF,+80-20%,16V,Y5V,TP		CP27	2203-005061	C-CERAMIC,CHIP;100nF,+80-20%,16V,Y5V,TP	
CD09	2203-005061	C-CERAMIC,CHIP;100nF,+80-20%,16V,Y5V,TP		CP28	2203-000714	C-CERAMIC,CHIP;3.3nF,10%,50V,X7R,TP,1005	
CD10	2203-005061	C-CERAMIC,CHIP;100nF,+80-20%,16V,Y5V,TP		CP29	2203-000714	C-CERAMIC,CHIP;3.3nF,10%,50V,X7R,TP,1005	



## Electrical Parts List

Loc.No	Part No	Desc & Spec	Remark	Loc.No	Part No	Desc & Spec	Remark
CP31	2203-002793	C-CERAMIC,CHIP;100nF,+80-20%,25V,Y5V,TP		L603	2703-002181	INDUCTOR-SMD;33UH,10%,2.5X2.0X1.8MM	
CP32	2404-001039	C-TA,CHIP;47uF,20%,6.3V,GP,TP,3528,-		L604	2703-002181	INDUCTOR-SMD;33UH,10%,2.5X2.0X1.8MM	
CP33	2203-002717	C-CERAMIC,CHIP;10nF,+80-20%,50V,Y5V,TP,1		L701	2703-000407	INDUCTOR-SMD;330uH,10%,3.2X2.5X2.2mm	
CP36	2203-000257	C-CERAMIC,CHIP;10nF,10%,50V,X7R,TP,1608		L704	2703-002175	INDUCTOR-SMD;100UH,10%,2.5X2.0X1.8MM	
CP37	2203-000189	C-CERAMIC,CHIP;100nF,+80-20%,25V,Y5V,TP,		L706	2703-000402	INDUCTOR-SMD;1uH,20%,3.2X2.5X2.2mm	
CP40	2203-000715	C-CERAMIC,CHIP;3.3nF,10%,50V,X7R,TP,1608		L707	2703-001867	INDUCTOR-SMD;1UH,20%,2.5X2X1.8MM	
CP41	2404-000212	C-TA,CHIP;3.3uF,20%,25V,-,TP,3528,-		L710	2703-002181	INDUCTOR-SMD;33UH,10%,2.5X2.0X1.8MM	
CP42	2203-000189	C-CERAMIC,CHIP;100nF,+80-20%,25V,Y5V,TP,		L900	2703-000408	INDUCTOR-SMD;3.3uH,20%,3.2X2.5X2.2mm	
CP43	2203-000715	C-CERAMIC,CHIP;3.3nF,10%,50V,X7R,TP,1608		L9001	2703-000408	INDUCTOR-SMD;3.3uH,20%,3.2X2.5X2.2mm	
CP44	2404-000212	C-TA,CHIP;3.3uF,20%,25V,-,TP,3528,-		L9002	2703-001865	INDUCTOR-SMD;33UH,20%,6X6X2.8MM	
CP45	2203-000189	C-CERAMIC,CHIP;100nF,+80-20%,25V,Y5V,TP,		L9004	2703-001872	INDUCTOR-SMD;22UH,20%,6X6X2.8MM	
CP46	2404-000156	C-TA,CHIP;1uF,20%,35V,-,TP,3528,1.4mm		L9005	2007-000033	R-CHIP;0OHM,5%,1/8W,DA,TP,3216	
CP50	2203-002793	C-CERAMIC,CHIP;1000nF,+80-20%,25V,Y5V,TP		L9008	2703-000408	INDUCTOR-SMD;3.3uH,20%,3.2X2.5X2.2mm	
CP51	2404-001039	C-TA,CHIP;47uF,20%,6.3V,GP,TP,3528,-		L9009	2703-000408	INDUCTOR-SMD;3.3uH,20%,3.2X2.5X2.2mm	
CP53	2404-001020	C-TA,CHIP;10uF,20%,10V,GP,TP,3216,3.2		L901	2703-000408	INDUCTOR-SMD;3.3uH,20%,3.2X2.5X2.2mm	
D304	0401-001054	DIODE-SWITCHING;KDS160,85V,300mA,SOD-323		L9010	2703-001865	INDUCTOR-SMD;33UH,20%,6X6X2.8MM	
D501	0401-001058	DIODE-SWITCHING;KDS121,85V,300mA,SOT-323		L9011	2703-000398	INDUCTOR-SMD;10uH,10%,3.2X2.5X2.2mm	
D502	0601-001422	LED;SMD,RED,-,660nm		L9050	2703-001865	INDUCTOR-SMD;33UH,20%,6X6X2.8MM	
D930	0404-000110	DIODE-SCHOTTKY;RB411D,20V,500mA,SOT-23,T		L9051	2703-000408	INDUCTOR-SMD;3.3uH,20%,3.2X2.5X2.2mm	
D931	0407-000139	DIODE-ARRAY;IMN10,80V,100mA,CX3,IMD,TP		L910	2703-001865	INDUCTOR-SMD;33UH,20%,6X6X2.8MM	
DA01	0401-001054	DIODE-SWITCHING;KDS160,85V,300mA,SOD-323		L916	2007-000033	R-CHIP;0OHM,5%,1/8W,DA,TP,3216	
DP01	0401-001054	DIODE-SWITCHING;KDS160,85V,300mA,SOD-323		L920	2703-001865	INDUCTOR-SMD;33UH,20%,6X6X2.8MM	
FC01	AC29-92001R	FILTER-LC CHIP;BP,8.192M,NLT3225-S8R2,C4		L921	2703-000408	INDUCTOR-SMD;3.3uH,20%,3.2X2.5X2.2mm	
FC02	AC29-92001S	FILTER-LC CHIP;BP,11.290M,NLT3225-S11R3,		L922	2703-000408	INDUCTOR-SMD;3.3uH,20%,3.2X2.5X2.2mm	
FC03	AC29-92001Q	FILTER-LC CHIP;BP,12.288M,NLT3225-S12R3A		L923	2007-000033	R-CHIP;0OHM,5%,1/8W,DA,TP,3216	
FI01	AD27-00004A	COIL-CHOKER;PLW3216S161SQ2T1,VP-D65,112oh		L924	2007-000033	R-CHIP;0OHM,5%,1/8W,DA,TP,3216	
FI02	AD27-00004A	COIL-CHOKER;PLW3216S161SQ2T1,VP-D65,112oh		L930	2703-002175	INDUCTOR-SMD;100UH,10%,2.5X2.0X1.8MM	
IC102	1204-001684	IC-EQUALIZER;VM65011LPTQ,QFP,64P,393MIL,		L931	2703-002175	INDUCTOR-SMD;100UH,10%,2.5X2.0X1.8MM	
IC301	1204-001458	IC-OSD PROCESSOR;M35040-064FP(SEC),DIP,2		L932	2703-002175	INDUCTOR-SMD;100UH,10%,2.5X2.0X1.8MM	
IC302	1201-001322	IC-VIDEO AMP;NJM2538V,SOP,20P,175MIL,-,		L933	2703-002175	INDUCTOR-SMD;100UH,10%,2.5X2.0X1.8MM	
IC303	AC14-12015G	IC-LINEAR;NJM2249V,SSOP,TAPE		L940	2703-001865	INDUCTOR-SMD;33UH,20%,6X6X2.8MM	
IC401	AD09-00052A	IC-MICOM;uPD70F3040YGM-UJU,-,-,LQFP,-		L941	2703-000408	INDUCTOR-SMD;3.3uH,20%,3.2X2.5X2.2mm	
IC404	1103-001023	IC-EEPROM;524C80D81,1028x8Bit,SOP,8P,150		L950	2703-001866	INDUCTOR-SMD;100UH,20%,6X6X2.8MM	
IC405	0801-002272	IC-CMOS LOGIC;TC7SET08FU(TE85L)AND GATE,		L960	2703-001866	INDUCTOR-SMD;100UH,20%,6X6X2.8MM	
IC406	1203-002277	IC-POSI.FIXED REG.;TK71730,SOT23-5,5P,63		L990	2703-000398	INDUCTOR-SMD;10uH,10%,3.2X2.5X2.2mm	
IC501	AD09-12002N	IC-AF MICOM OTP;CXP818P48AR-1		L991	2007-000033	R-CHIP;0OHM,5%,1/8W,DA,TP,3216	
IC502	1203-001021	IC-VOLTAGE REGULATOR;8423,SOP,8P,251MIL,		LA01	2703-002174	INDUCTOR-SMD;10UH,10%,2.5X2.0X1.8MM	
IC601	1003-001241	IC-MOTOR DRIVER;LB11990W,SQFP,64P,-,1A		LA02	2703-002174	INDUCTOR-SMD;10UH,10%,2.5X2.0X1.8MM	
IC602	1201-000240	IC-OPAMP;2902,SOP,14P,173MIL,QUAD,15V/m		LA04	2703-002174	INDUCTOR-SMD;10UH,10%,2.5X2.0X1.8MM	
IC701	1205-001482	IC-INTERFACE;LA74200W,QFP,64P,400MIL,EPO		LC01	2703-002174	INDUCTOR-SMD;10UH,10%,2.5X2.0X1.8MM	
IC751	1002-001261	IC-D/A CONVERTER;AK4550,16BIT,TSSOP,16P,		LC02	2703-002174	INDUCTOR-SMD;10UH,10%,2.5X2.0X1.8MM	
IC900	1203-001534	IC-PWM CONTROLLER;TL14661,QFP,64P,-,PLAS		LC03	2703-002174	INDUCTOR-SMD;10UH,10%,2.5X2.0X1.8MM	
IC9001	1203-000445	IC-POSI.FIXED REG.;14641,TO-220,3P,-,PLA		LC04	2703-002174	INDUCTOR-SMD;10UH,10%,2.5X2.0X1.8MM	
ICA01	1003-001200	IC-MOTOR DRIVER;UPD16835,SOP,38P,300MIL,		LC06	2703-002174	INDUCTOR-SMD;10UH,10%,2.5X2.0X1.8MM	
ICA02	1201-000246	IC-OPAMP;3403,SOP,14P,173MIL,QUAD,20V/m		LD01	2703-002174	INDUCTOR-SMD;10UH,10%,2.5X2.0X1.8MM	
ICA03	1201-000200	IC-OPAMP;3414,SOP,8P,173MIL,DUAL,-,PLAS		LI01	2703-002174	INDUCTOR-SMD;10UH,10%,2.5X2.0X1.8MM	
ICC01	AD13-00012A	IC ASIC;-AV-CODEC,208PIN,3.3V/2.5V,-1		LI02	2703-002174	INDUCTOR-SMD;10UH,10%,2.5X2.0X1.8MM	
ICC02	AC14-12008U	IC-LOGIC;M52660FP,QFP,BULK,48P		LI05	2703-002174	INDUCTOR-SMD;10UH,10%,2.5X2.0X1.8MM	
ICC03	0801-000301	IC-CMOS LOGIC;7W04,INVERTER,SSOP,8P,110M		LP01	2703-002174	INDUCTOR-SMD;10UH,10%,2.5X2.0X1.8MM	
ICC04	1002-001167	IC-D/A CONVERTER;M62368GP,8BIT,SSOP,16P,		LP02	2703-002174	INDUCTOR-SMD;10UH,10%,2.5X2.0X1.8MM	
ICC05	0801-002001	IC-CMOS LOGIC;7W74,D FLIP-FLOP,SSOP,8P,1		LP03	2703-002174	INDUCTOR-SMD;10UH,10%,2.5X2.0X1.8MM	
ICC06	1105-001268	IC-DRAM;3617161,512Kx16bitx2Bit,TSOP,5		LP04	2703-002174	INDUCTOR-SMD;10UH,10%,2.5X2.0X1.8MM	
ICC07	0801-002534	IC-CMOS LOGIC;7WH74,D FLIP-FLOP,SSOP,8P,		LP05	2703-002174	INDUCTOR-SMD;10UH,10%,2.5X2.0X1.8MM	
ICD01	AD13-00009A	IC ASIC;-L8A0404,TQFP,144p,Channel		LP06	2703-002174	INDUCTOR-SMD;10UH,10%,2.5X2.0X1.8MM	
ICD02	AD11-00002A	IC-MEMORY;GLT440L16-40TC,40,TSOP,DRAM,		LP07	2703-002174	INDUCTOR-SMD;10UH,10%,2.5X2.0X1.8MM	
ICI01	1205-001987	IC-DATA COMM./GEN.;TSB42AB4,QFP,128P,551		LP08	2703-002174	INDUCTOR-SMD;10UH,10%,2.5X2.0X1.8MM	
ICI02	1205-001988	IC-DATA COMM./GEN.;TSB41AB1-PAP,QFP,64P,		Q101	0501-002128	TR-SMALLSIGNAL;KTC4075,NPN,100mW,USM,TP	
ICI03	0801-002272	IC-CMOS LOGIC;TC7SET08FU(TE85L)AND GATE,		Q302	0501-002128	TR-SMALLSIGNAL;KTC4075,NPN,100mW,USM,TP	
ICP01	1002-001270	IC-A/D CONVERTER;TLV990BPF,10,TQFP,48P,		Q306	0504-001032	TR-DIGITAL;KRC404,NPN,100MW,47K/47K,SOT-	
ICP02	AH14-00001A	IC-DIS;KS7333,TQFP,-,80P,M-PJ		Q307	0504-001032	TR-DIGITAL;KRC404,NPN,100MW,47K/47K,SOT-	
ICP03	1105-001268	IC-DRAM;3617161,512Kx16bitx2Bit,TSOP,5		Q501	0504-001032	TR-DIGITAL;KRC404,NPN,100MW,47K/47K,SOT-	
ICP04	AD13-00011A	IC-DSP;SSC7341X,VP-D73,80P,0 TO 70,TQ		Q502	0501-000546	TR-SMALLSIGNAL;KSA1298,PNP,200mW,SOT-23	
ICP05	1003-001065	IC-CLOCK DRIVER;KS7221D,SOP,20P,225MIL,Q		Q503	0504-001036	TR-DIGITAL;KRA304,PNP,100MW,47K/47K,SOT-	
L101	2703-002174	INDUCTOR-SMD;10UH,10%,2.5X2.0X1.8MM		Q601	0501-000172	TR-SMALLSIGNAL;2SB1121,PNP,500mW,PCP,TP	
L102	2703-002174	INDUCTOR-SMD;10UH,10%,2.5X2.0X1.8MM		Q602	0504-001038	TR-DIGITAL;KRC402,NPN,100MW,10K/10K,SOT-	
L302	2703-002094	INDUCTOR-SMD;22uH,10%,2.5X2.0X1.8mm		Q611	0504-001038	TR-DIGITAL;KRC402,NPN,100MW,10K/10K,SOT-	
L303	2703-002174	INDUCTOR-SMD;10UH,10%,2.5X2.0X1.8MM		Q701	0501-002128	TR-SMALLSIGNAL;KTC4075,NPN,100mW,USM,TP	
L304	2703-002174	INDUCTOR-SMD;10UH,10%,2.5X2.0X1.8MM		Q702	0501-002128	TR-SMALLSIGNAL;KTC4075,NPN,100mW,USM,TP	
L305	2703-002174	INDUCTOR-SMD;10UH,10%,2.5X2.0X1.8MM		Q703	0501-002128	TR-SMALLSIGNAL;KTC4075,NPN,100mW,USM,TP	
L306	2703-000426	INDUCTOR-SMD;2.2uH,5%,2x2.5x1.8mm		Q704	0501-002128	TR-SMALLSIGNAL;KTC4075,NPN,100mW,USM,TP	
L307	2703-000426	INDUCTOR-SMD;2.2uH,5%,2x2.5x1.8mm		Q705	0504-001036	TR-DIGITAL;KRA304,PNP,100MW,47K/47K,SOT-	
L401	2007-000029	R-CHIP;0OHM,5%,1/10W,DA,TP,2012		Q706	0504-001032	TR-DIGITAL;KRC404,NPN,100MW,47K/47K,SOT-	
L601	2703-002174	INDUCTOR-SMD;10UH,10%,2.5X2.0X1.8MM		Q9001	0502-001184	TR-POWER;CPH6701,PNP,1300mW,SOT-23-6L,T	

Loc.No	Part No	Desc & Spec	Remark	Loc.No	Part No	Desc & Spec	Remark
Q9003	0502-001184	TR-POWER;CPH6701,PNP,1300mW,SOT-23-6L,T		R414	2007-000140	R-CHIP;1Kohm,5%,1/16W,DA,TP,1005	
Q9004	0502-001184	TR-POWER;CPH6701,PNP,1300mW,SOT-23-6L,T		R415	2007-000140	R-CHIP;1Kohm,5%,1/16W,DA,TP,1005	
Q9005	0502-001184	TR-POWER;CPH6701,PNP,1300mW,SOT-23-6L,T		R417	2007-000148	R-CHIP;10Kohm,5%,1/16W,DA,TP,1005	
Q910	0502-001184	TR-POWER;CPH6701,PNP,1300mW,SOT-23-6L,T		R418	2007-000140	R-CHIP;1Kohm,5%,1/16W,DA,TP,1005	
Q920	0502-001184	TR-POWER;CPH6701,PNP,1300mW,SOT-23-6L,T		R419	2007-000140	R-CHIP;1Kohm,5%,1/16W,DA,TP,1005	
Q930	0502-001076	TR-POWER;2SB1302(T),PNP,1.3W,SC-62,TP,2		R420	2007-000140	R-CHIP;1Kohm,5%,1/16W,DA,TP,1005	
Q940	0502-001184	TR-POWER;CPH6701,PNP,1300mW,SOT-23-6L,T		R421	2007-000140	R-CHIP;1Kohm,5%,1/16W,DA,TP,1005	
Q950	0502-001184	TR-POWER;CPH6701,PNP,1300mW,SOT-23-6L,T		R422	2007-000140	R-CHIP;1Kohm,5%,1/16W,DA,TP,1005	
Q960	0502-001184	TR-POWER;CPH6701,PNP,1300mW,SOT-23-6L,T		R423	2007-000140	R-CHIP;1Kohm,5%,1/16W,DA,TP,1005	
Q993	0504-001032	TR-DIGITAL;KRC404,NPN,100MW,47K/47K,SOT-		R424	2007-000140	R-CHIP;1Kohm,5%,1/16W,DA,TP,1005	
Q994	0502-001076	TR-POWER;2SB1302(T),PNP,1.3W,SC-62,TP,2		R425	2007-000140	R-CHIP;1Kohm,5%,1/16W,DA,TP,1005	
Q995	0502-001076	TR-POWER;2SB1302(T),PNP,1.3W,SC-62,TP,2		R426	2007-000140	R-CHIP;1Kohm,5%,1/16W,DA,TP,1005	
Q996	0504-001032	TR-DIGITAL;KRC404,NPN,100MW,47K/47K,SOT-		R427	2007-000140	R-CHIP;1Kohm,5%,1/16W,DA,TP,1005	
QA01	0501-002310	TR-SMALLSIGNAL;HN1B04FU,PNP/NPN,200mW,U		R428	2007-000140	R-CHIP;1Kohm,5%,1/16W,DA,TP,1005	
QA02	0504-001032	TR-DIGITAL;KRC404,NPN,100MW,47K/47K,SOT-		R429	2007-000140	R-CHIP;1Kohm,5%,1/16W,DA,TP,1005	
QA03	0504-001032	TR-DIGITAL;KRC404,NPN,100MW,47K/47K,SOT-		R430	2007-000140	R-CHIP;1Kohm,5%,1/16W,DA,TP,1005	
QA04	0504-001032	TR-DIGITAL;KRC404,NPN,100MW,47K/47K,SOT-		R431	2007-000140	R-CHIP;1Kohm,5%,1/16W,DA,TP,1005	
QA05	0504-001037	TR-DIGITAL;KRC401,NPN,100MW,4.7K/4.7K,SO		R432	2007-000140	R-CHIP;1Kohm,5%,1/16W,DA,TP,1005	
QA06	0504-001032	TR-DIGITAL;KRC404,NPN,100MW,47K/47K,SOT-		R433	2007-000140	R-CHIP;1Kohm,5%,1/16W,DA,TP,1005	
QA07	0504-001037	TR-DIGITAL;KRC401,NPN,100MW,4.7K/4.7K,SO		R434	2007-000140	R-CHIP;1Kohm,5%,1/16W,DA,TP,1005	
QI03	0504-001032	TR-DIGITAL;KRC404,NPN,100MW,47K/47K,SOT-		R436	2007-000140	R-CHIP;1Kohm,5%,1/16W,DA,TP,1005	
QI04	0502-001076	TR-POWER;2SB1302(T),PNP,1.3W,SC-62,TP,2		R437	2007-000162	R-CHIP;100Kohm,5%,1/16W,DA,TP,1005	
QI05	0504-001032	TR-DIGITAL;KRC404,NPN,100MW,47K/47K,SOT-		R438	2007-000157	R-CHIP;47Kohm,5%,1/16W,DA,TP,1005	
QP01	0504-001032	TR-DIGITAL;KRC404,NPN,100MW,47K/47K,SOT-		R439	2007-000148	R-CHIP;10Kohm,5%,1/16W,DA,TP,1005	
QP02	0504-001032	TR-DIGITAL;KRC404,NPN,100MW,47K/47K,SOT-		R440	2007-000140	R-CHIP;1Kohm,5%,1/16W,DA,TP,1005	
R102	2007-000155	R-CHIP;27Kohm,5%,1/16W,DA,TP,1005		R441	2007-000140	R-CHIP;1Kohm,5%,1/16W,DA,TP,1005	
R103	2007-000159	R-CHIP;56Kohm,5%,1/16W,DA,TP,1005		R442	2007-000140	R-CHIP;1Kohm,5%,1/16W,DA,TP,1005	
R104	2007-000139	R-CHIP;220ohm,5%,1/16W,DA,TP,1005		R443	2007-000982	R-CHIP;5.6Kohm,5%,1/16W,DA,TP,1005	
R107	2007-000151	R-CHIP;15Kohm,5%,1/16W,DA,TP,1005		R444	2007-000148	R-CHIP;10Kohm,5%,1/16W,DA,TP,1005	
R108	2007-000151	R-CHIP;15Kohm,5%,1/16W,DA,TP,1005		R445	2007-000140	R-CHIP;1Kohm,5%,1/16W,DA,TP,1005	
R116	2007-000171	R-CHIP;0ohm,5%,1/16W,DA,TP,1005		R446	2007-000148	R-CHIP;10Kohm,5%,1/16W,DA,TP,1005	
R121	2007-000171	R-CHIP;0ohm,5%,1/16W,DA,TP,1005		R447	2007-000148	R-CHIP;10Kohm,5%,1/16W,DA,TP,1005	
R132	2007-000171	R-CHIP;0ohm,5%,1/16W,DA,TP,1005		R448	2007-000148	R-CHIP;10Kohm,5%,1/16W,DA,TP,1005	
R135	2007-003013	R-CHIP;2.4KOHM,5%,1/16W,DA,TP,1005		R449	2007-000148	R-CHIP;10Kohm,5%,1/16W,DA,TP,1005	
R136	2007-007095	R-CHIP;390OHM,5%,1/16W,DA,TP,1005		R450	2007-000170	R-CHIP;1Mohm,5%,1/16W,DA,TP,1005	
R301	2007-000140	R-CHIP;1Kohm,5%,1/16W,DA,TP,1005		R451	2007-000170	R-CHIP;1Mohm,5%,1/16W,DA,TP,1005	
R302	2007-000140	R-CHIP;1Kohm,5%,1/16W,DA,TP,1005		R454	2007-000162	R-CHIP;100Kohm,5%,1/16W,DA,TP,1005	
R303	2007-000140	R-CHIP;1Kohm,5%,1/16W,DA,TP,1005		R455	2007-000162	R-CHIP;100Kohm,5%,1/16W,DA,TP,1005	
R304	2007-001307	R-CHIP;180ohm,5%,1/16W,DA,TP,1005		R457	2007-000140	R-CHIP;1Kohm,5%,1/16W,DA,TP,1005	
R311	2007-003029	R-CHIP;820KOHM,5%,1/16W,DA,TP,1005		R458	2007-000148	R-CHIP;10Kohm,5%,1/16W,DA,TP,1005	
R312	2007-001305	R-CHIP;120ohm,5%,1/16W,DA,TP,1005		R459	2007-000148	R-CHIP;10Kohm,5%,1/16W,DA,TP,1005	
R313	2007-001305	R-CHIP;120ohm,5%,1/16W,DA,TP,1005		R462	2007-000138	R-CHIP;100ohm,5%,1/16W,DA,TP,1005	
R314	2007-000148	R-CHIP;10Kohm,5%,1/16W,DA,TP,1005		R469	2007-000140	R-CHIP;1Kohm,5%,1/16W,DA,TP,1005	
R315	2007-000148	R-CHIP;10Kohm,5%,1/16W,DA,TP,1005		R470	2007-000140	R-CHIP;1Kohm,5%,1/16W,DA,TP,1005	
R316	2007-000566	R-CHIP;220Kohm,5%,1/16W,DA,TP,1005		R472	2007-000162	R-CHIP;100Kohm,5%,1/16W,DA,TP,1005	
R317	2007-000140	R-CHIP;1Kohm,5%,1/16W,DA,TP,1005		R473	2007-000162	R-CHIP;100Kohm,5%,1/16W,DA,TP,1005	
R318	2007-000140	R-CHIP;1Kohm,5%,1/16W,DA,TP,1005		R474	2007-000140	R-CHIP;1Kohm,5%,1/16W,DA,TP,1005	
R322	2007-000162	R-CHIP;100Kohm,5%,1/16W,DA,TP,1005		R491	2007-000162	R-CHIP;100Kohm,5%,1/16W,DA,TP,1005	
R323	2007-000162	R-CHIP;100Kohm,5%,1/16W,DA,TP,1005		R492	2007-000162	R-CHIP;100Kohm,5%,1/16W,DA,TP,1005	
R325	2007-000141	R-CHIP;2.2Kohm,5%,1/16W,DA,TP,1005		R493	2007-000162	R-CHIP;100Kohm,5%,1/16W,DA,TP,1005	
R331	2007-000171	R-CHIP;0ohm,5%,1/16W,DA,TP,1005		R494	2007-000162	R-CHIP;100Kohm,5%,1/16W,DA,TP,1005	
R332	2007-000161	R-CHIP;82Kohm,5%,1/16W,DA,TP,1005		R495	2007-000162	R-CHIP;100Kohm,5%,1/16W,DA,TP,1005	
R333	2007-000162	R-CHIP;100Kohm,5%,1/16W,DA,TP,1005		R496	2007-000140	R-CHIP;1Kohm,5%,1/16W,DA,TP,1005	
R334	2007-000161	R-CHIP;82Kohm,5%,1/16W,DA,TP,1005		R501	2007-000162	R-CHIP;100Kohm,5%,1/16W,DA,TP,1005	
R335	2007-000162	R-CHIP;100Kohm,5%,1/16W,DA,TP,1005		R502	2007-000140	R-CHIP;1Kohm,5%,1/16W,DA,TP,1005	
R336	2007-008015	R-CHIP;75ohm,1%,1/16W,DA,TP,1005		R503	2007-000162	R-CHIP;100Kohm,5%,1/16W,DA,TP,1005	
R337	2007-008015	R-CHIP;75ohm,1%,1/16W,DA,TP,1005		R504	2007-000140	R-CHIP;1Kohm,5%,1/16W,DA,TP,1005	
R338	2007-002970	R-CHIP;56OHM,5%,1/16W,DA,TP,1005		R506	2007-000636	R-CHIP;270Kohm,5%,1/16W,DA,TP,1005	
R340	2007-000148	R-CHIP;10Kohm,5%,1/16W,DA,TP,1005		R507	2007-000140	R-CHIP;1Kohm,5%,1/16W,DA,TP,1005	
R341	2007-008336	R-CHIP;820KOHM,1%,1/16W,1005,TP,1005		R509	2007-000140	R-CHIP;1Kohm,5%,1/16W,DA,TP,1005	
R342	2007-008336	R-CHIP;820OHM,1%,1/16W,1005,TP,1005		R510	2007-000140	R-CHIP;1Kohm,5%,1/16W,DA,TP,1005	
R401	2007-000140	R-CHIP;1Kohm,5%,1/16W,DA,TP,1005		R511	2007-000140	R-CHIP;1Kohm,5%,1/16W,DA,TP,1005	
R402	2007-000162	R-CHIP;100Kohm,5%,1/16W,DA,TP,1005		R512	2007-000140	R-CHIP;1Kohm,5%,1/16W,DA,TP,1005	
R403	2007-000162	R-CHIP;100Kohm,5%,1/16W,DA,TP,1005		R513	2007-000140	R-CHIP;1Kohm,5%,1/16W,DA,TP,1005	
R404	2007-000138	R-CHIP;100ohm,5%,1/16W,DA,TP,1005		R514	2007-001325	R-CHIP;3.3Kohm,5%,1/16W,DA,TP,1005	
R405	2007-000138	R-CHIP;100ohm,5%,1/16W,DA,TP,1005		R515	2007-000140	R-CHIP;1Kohm,5%,1/16W,DA,TP,1005	
R406	2007-000171	R-CHIP;0ohm,5%,1/16W,DA,TP,1005		R516	2007-000157	R-CHIP;47Kohm,5%,1/16W,DA,TP,1005	
R407	2007-000138	R-CHIP;100ohm,5%,1/16W,DA,TP,1005		R517	2007-000141	R-CHIP;2.2Kohm,5%,1/16W,DA,TP,1005	
R408	2007-000138	R-CHIP;100ohm,5%,1/16W,DA,TP,1005		R518	2007-000140	R-CHIP;1Kohm,5%,1/16W,DA,TP,1005	
R409	2007-000140	R-CHIP;1Kohm,5%,1/16W,DA,TP,1005		R519	2007-000140	R-CHIP;1Kohm,5%,1/16W,DA,TP,1005	
R410	2007-000140	R-CHIP;1Kohm,5%,1/16W,DA,TP,1005		R520	2007-000140	R-CHIP;1Kohm,5%,1/16W,DA,TP,1005	
R411	2007-000140	R-CHIP;1Kohm,5%,1/16W,DA,TP,1005		R521	2007-000140	R-CHIP;1Kohm,5%,1/16W,DA,TP,1005	
R413	2007-000140	R-CHIP;1Kohm,5%,1/16W,DA,TP,1005		R522	2007-000140	R-CHIP;1Kohm,5%,1/16W,DA,TP,1005	

Electrical Parts List

Loc.No	Part No	Desc & Spec	Remark	Loc.No	Part No	Desc & Spec	Remark
R523	2007-000140	R-CHIP:1Kohm,5%,1/16W,DA,TP,1005		R671	2007-001114	R-CHIP:680Kohm,5%,1/16W,DA,TP,1608	
R524	2007-001325	R-CHIP:3.3Kohm,5%,1/16W,DA,TP,1005		R672	2007-000483	R-CHIP:10HM,5%,1/10W,DA,TP,2012	
R525	2007-000148	R-CHIP:10Kohm,5%,1/16W,DA,TP,1005		R673	2007-000483	R-CHIP:10HM,5%,1/10W,DA,TP,2012	
R526	2007-000140	R-CHIP:1Kohm,5%,1/16W,DA,TP,1005		R674	2007-000483	R-CHIP:10HM,5%,1/10W,DA,TP,2012	
R528	2007-000162	R-CHIP:100Kohm,5%,1/16W,DA,TP,1005		R675	2007-000483	R-CHIP:10HM,5%,1/10W,DA,TP,2012	
R529	2007-000140	R-CHIP:1Kohm,5%,1/16W,DA,TP,1005		R676	2007-000483	R-CHIP:10HM,5%,1/10W,DA,TP,2012	
R530	2007-000157	R-CHIP:47Kohm,5%,1/16W,DA,TP,1005		R679	2007-000775	R-CHIP:33Kohm,5%,1/16W,DA,TP,1005	
R531	2007-001325	R-CHIP:3.3Kohm,5%,1/16W,DA,TP,1005		R680	2007-000775	R-CHIP:33Kohm,5%,1/16W,DA,TP,1005	
R532	2007-000140	R-CHIP:1Kohm,5%,1/16W,DA,TP,1005		R681	2007-000096	R-CHIP:30Kohm,5%,1/16W,DA,TP,1608	
R533	2007-000140	R-CHIP:1Kohm,5%,1/16W,DA,TP,1005		R682	2007-000156	R-CHIP:30Kohm,5%,1/16W,DA,TP,1005	
R535	2007-000162	R-CHIP:100Kohm,5%,1/16W,DA,TP,1005		R685	2007-000170	R-CHIP:1Mohm,5%,1/16W,DA,TP,1005	
R536	2007-000140	R-CHIP:1Kohm,5%,1/16W,DA,TP,1005		R686	2007-000153	R-CHIP:22Kohm,5%,1/16W,DA,TP,1005	
R537	2007-000140	R-CHIP:1Kohm,5%,1/16W,DA,TP,1005		R687	2007-000171	R-CHIP:0ohm,5%,1/16W,DA,TP,1005	
R538	2007-000162	R-CHIP:100Kohm,5%,1/16W,DA,TP,1005		R701	2007-003023	R-CHIP:62KOHM,5%,1/16W,DA,TP,1005	
R540	2007-000140	R-CHIP:1Kohm,5%,1/16W,DA,TP,1005		R702	2007-000156	R-CHIP:30Kohm,5%,1/16W,DA,TP,1005	
R541	2007-000148	R-CHIP:10Kohm,5%,1/16W,DA,TP,1005		R703	2007-000963	R-CHIP:5.1Kohm,2%,1/16W,DA,TP,1005	
R542	2007-000162	R-CHIP:100Kohm,5%,1/16W,DA,TP,1005		R704	2007-000141	R-CHIP:2.2Kohm,5%,1/16W,DA,TP,1005	
R543	2007-000162	R-CHIP:100Kohm,5%,1/16W,DA,TP,1005		R705	2007-000141	R-CHIP:2.2Kohm,5%,1/16W,DA,TP,1005	
R544	2007-000140	R-CHIP:1Kohm,5%,1/16W,DA,TP,1005		R706	2007-003023	R-CHIP:62KOHM,5%,1/16W,DA,TP,1005	
R545	2007-002797	R-CHIP:560ohm,5%,1/16W,DA,TP,1005		R707	2007-000156	R-CHIP:30Kohm,5%,1/16W,DA,TP,1005	
R546	2007-000162	R-CHIP:100Kohm,5%,1/16W,DA,TP,1005		R708	2007-008341	R-CHIP:5.1KOHM,0.5%,1/16W,DA,TP,1005	
R548	2007-000162	R-CHIP:100Kohm,5%,1/16W,DA,TP,1005		R709	2007-000148	R-CHIP:10Kohm,5%,1/16W,DA,TP,1005	
R550	2007-000162	R-CHIP:100Kohm,5%,1/16W,DA,TP,1005		R710	2007-000148	R-CHIP:10Kohm,5%,1/16W,DA,TP,1005	
R551	2007-000162	R-CHIP:100Kohm,5%,1/16W,DA,TP,1005		R711	2007-000148	R-CHIP:10Kohm,5%,1/16W,DA,TP,1005	
R552	2007-000157	R-CHIP:47Kohm,5%,1/16W,DA,TP,1005		R712	2007-000775	R-CHIP:33Kohm,5%,1/16W,DA,TP,1005	
R553	2007-000157	R-CHIP:47Kohm,5%,1/16W,DA,TP,1005		R713	2007-000148	R-CHIP:10Kohm,5%,1/16W,DA,TP,1005	
R554	2007-000162	R-CHIP:100Kohm,5%,1/16W,DA,TP,1005		R715	2007-002797	R-CHIP:560ohm,5%,1/16W,DA,TP,1005	
R555	2007-000162	R-CHIP:100Kohm,5%,1/16W,DA,TP,1005		R716	2007-000141	R-CHIP:2.2Kohm,5%,1/16W,DA,TP,1005	
R556	2007-000162	R-CHIP:100Kohm,5%,1/16W,DA,TP,1005		R717	2007-000141	R-CHIP:2.2Kohm,5%,1/16W,DA,TP,1005	
R557	2007-000162	R-CHIP:100Kohm,5%,1/16W,DA,TP,1005		R718	2007-000148	R-CHIP:10Kohm,5%,1/16W,DA,TP,1005	
R558	2007-000140	R-CHIP:1Kohm,5%,1/16W,DA,TP,1005		R719	2007-000141	R-CHIP:2.2Kohm,5%,1/16W,DA,TP,1005	
R559	2007-000140	R-CHIP:1Kohm,5%,1/16W,DA,TP,1005		R720	2007-000141	R-CHIP:2.2Kohm,5%,1/16W,DA,TP,1005	
R560	2007-000138	R-CHIP:100ohm,5%,1/16W,DA,TP,1005		R721	2007-000162	R-CHIP:100Kohm,5%,1/16W,DA,TP,1005	
R561	2007-000755	R-CHIP:330Kohm,1%,1/16W,DA,TP,1608		R724	2007-002797	R-CHIP:560ohm,5%,1/16W,DA,TP,1005	
R562	2007-001111	R-CHIP:680Kohm,1%,1/16W,DA,TP,1608		R725	2007-000148	R-CHIP:10Kohm,5%,1/16W,DA,TP,1005	
R563	2007-000755	R-CHIP:330Kohm,1%,1/16W,DA,TP,1608		R727	2007-000148	R-CHIP:10Kohm,5%,1/16W,DA,TP,1005	
R564	2007-001111	R-CHIP:680Kohm,1%,1/16W,DA,TP,1608		R728	2007-000148	R-CHIP:10Kohm,5%,1/16W,DA,TP,1005	
R570	2007-000162	R-CHIP:100Kohm,5%,1/16W,DA,TP,1005		R729	2007-000775	R-CHIP:33Kohm,5%,1/16W,DA,TP,1005	
R571	2007-000140	R-CHIP:1Kohm,5%,1/16W,DA,TP,1005		R730	2007-000148	R-CHIP:10Kohm,5%,1/16W,DA,TP,1005	
R572	2007-000140	R-CHIP:1Kohm,5%,1/16W,DA,TP,1005		R735	2007-001333	R-CHIP:18Kohm,5%,1/16W,DA,TP,1005	
R573	2007-000162	R-CHIP:100Kohm,5%,1/16W,DA,TP,1005		R736	2007-001333	R-CHIP:18Kohm,5%,1/16W,DA,TP,1005	
R574	2007-000162	R-CHIP:100Kohm,5%,1/16W,DA,TP,1005		R739	2007-000152	R-CHIP:20Kohm,5%,1/16W,DA,TP,1005	
R575	2007-000162	R-CHIP:100Kohm,5%,1/16W,DA,TP,1005		R740	2007-000152	R-CHIP:20Kohm,5%,1/16W,DA,TP,1005	
R576	2007-000162	R-CHIP:100Kohm,5%,1/16W,DA,TP,1005		R750	2007-000932	R-CHIP:470ohm,5%,1/16W,DA,TP,1005	
R577	2007-000162	R-CHIP:100Kohm,5%,1/16W,DA,TP,1005		R751	2007-000932	R-CHIP:470ohm,5%,1/16W,DA,TP,1005	
R578	2007-000162	R-CHIP:100Kohm,5%,1/16W,DA,TP,1005		R752	2007-000172	R-CHIP:10ohm,5%,1/16W,DA,TP,1005	
R598	2007-000162	R-CHIP:100Kohm,5%,1/16W,DA,TP,1005		R753	2007-000140	R-CHIP:1Kohm,5%,1/16W,DA,TP,1005	
R601	2007-003015	R-CHIP:2.2OHM,5%,1/16W,DA,TP,1005		R760	2007-000147	R-CHIP:8.2Kohm,5%,1/16W,DA,TP,1005	
R602	2007-003015	R-CHIP:2.2OHM,5%,1/16W,DA,TP,1005		R762	2007-000147	R-CHIP:8.2Kohm,5%,1/16W,DA,TP,1005	
R603	2007-003015	R-CHIP:2.2OHM,5%,1/16W,DA,TP,1005		R770	2007-000146	R-CHIP:6.8Kohm,5%,1/16W,DA,TP,1005	
R610	2007-000643	R-CHIP:270ohm,5%,1/16W,DA,TP,1608		R771	2007-000146	R-CHIP:6.8Kohm,5%,1/16W,DA,TP,1005	
R611	2007-001217	R-CHIP:82ohm,5%,1/16W,DA,TP,1005		R900	2007-000066	R-CHIP:20Kohm,1%,1/16W,DA,TP,1608	
R612	2007-000643	R-CHIP:270ohm,5%,1/16W,DA,TP,1608		R9001	2007-000148	R-CHIP:10Kohm,5%,1/16W,DA,TP,1005	
R615	2007-000157	R-CHIP:47Kohm,5%,1/16W,DA,TP,1005		R9002	2007-001333	R-CHIP:18Kohm,5%,1/16W,DA,TP,1005	
R620	2007-000831	R-CHIP:39Kohm,5%,1/16W,DA,TP,1005		R9003	2007-000982	R-CHIP:5.6Kohm,5%,1/16W,DA,TP,1005	
R621	2007-000146	R-CHIP:6.8Kohm,5%,1/16W,DA,TP,1005		R9004	2007-001333	R-CHIP:18Kohm,5%,1/16W,DA,TP,1005	
R622	2007-000162	R-CHIP:100Kohm,5%,1/16W,DA,TP,1005		R9005	2007-000982	R-CHIP:5.6Kohm,5%,1/16W,DA,TP,1005	
R623	2007-000148	R-CHIP:10Kohm,5%,1/16W,DA,TP,1005		R9007	2007-000775	R-CHIP:33Kohm,5%,1/16W,DA,TP,1005	
R625	2007-000104	R-CHIP:150Kohm,5%,1/16W,DA,TP,1608		R9008	2007-000157	R-CHIP:47Kohm,5%,1/16W,DA,TP,1005	
R640	2007-000160	R-CHIP:68Kohm,5%,1/16W,DA,TP,1005		R9009	2007-000982	R-CHIP:5.6Kohm,5%,1/16W,DA,TP,1005	
R641	2007-000775	R-CHIP:33Kohm,5%,1/16W,DA,TP,1005		R901	2007-001333	R-CHIP:18Kohm,5%,1/16W,DA,TP,1005	
R642	2007-000152	R-CHIP:20Kohm,5%,1/16W,DA,TP,1005		R9010	2007-001333	R-CHIP:18Kohm,5%,1/16W,DA,TP,1005	
R643	2007-000162	R-CHIP:100Kohm,5%,1/16W,DA,TP,1005		R9011	2007-000157	R-CHIP:47Kohm,5%,1/16W,DA,TP,1005	
R644	2007-000161	R-CHIP:82Kohm,5%,1/16W,DA,TP,1005		R9012	2007-000148	R-CHIP:10Kohm,5%,1/16W,DA,TP,1005	
R645	2007-000160	R-CHIP:68Kohm,5%,1/16W,DA,TP,1005		R9014	2007-000148	R-CHIP:10Kohm,5%,1/16W,DA,TP,1005	
R646	2007-000775	R-CHIP:33Kohm,5%,1/16W,DA,TP,1005		R9015	2007-001157	R-CHIP:750ohm,5%,1/16W,DA,TP,1608	
R647	2007-000152	R-CHIP:20Kohm,5%,1/16W,DA,TP,1005		R9017	2007-001644	R-CHIP:10Kohm,0.5%,1/16W,DA,TP,1608	
R648	2007-000162	R-CHIP:100Kohm,5%,1/16W,DA,TP,1005		R9018	2007-001650	R-CHIP:8.2Kohm,0.5%,1/16W,DA,TP,1608	
R660	2007-000159	R-CHIP:56Kohm,5%,1/16W,DA,TP,1005		R9019	2007-000147	R-CHIP:8.2Kohm,5%,1/16W,DA,TP,1005	
R661	2007-000775	R-CHIP:33Kohm,5%,1/16W,DA,TP,1005		R9020	2007-000151	R-CHIP:15Kohm,5%,1/16W,DA,TP,1005	
R662	2007-000157	R-CHIP:47Kohm,5%,1/16W,DA,TP,1005		R9023	2007-000070	R-CHIP:0ohm,5%,1/16W,DA,TP,1608	
R663	2007-000155	R-CHIP:27Kohm,5%,1/16W,DA,TP,1005		R9024	2007-001697	R-CHIP:18Kohm,0.5%,1/16W,DA,TP,1608	
R670	2007-000153	R-CHIP:22Kohm,5%,1/16W,DA,TP,1005		R9025	2007-001697	R-CHIP:18Kohm,0.5%,1/16W,DA,TP,1608	

Loc.No	Part No	Desc & Spec	Remark	Loc.No	Part No	Desc & Spec	Remark
R9026	2007-001068	R-CHIP:6.8Kohm,1%,1/16W,DA,TP,1608		RA32	2007-000869	R-CHIP:4.7Kohm,1%,1/16W,DA,TP,1608	
R9027	2007-000076	R-CHIP:330ohm,5%,1/16W,DA,TP,1608		RA33	2007-000863	R-CHIP:4.3OHM,5%,1/10W,DA,TP,2012	
R9033	2007-001139	R-CHIP:7.5Kohm,1%,1/16W,DA,TP,1608		RA34	2007-000863	R-CHIP:4.3OHM,5%,1/10W,DA,TP,2012	
R9050	2007-000982	R-CHIP:5.6Kohm,5%,1/16W,DA,TP,1005		RA35	2007-000102	R-CHIP:100Kohm,5%,1/16W,DA,TP,1608	
R9051	2007-000148	R-CHIP:10Kohm,5%,1/16W,DA,TP,1005		RA36	2007-000102	R-CHIP:100Kohm,5%,1/16W,DA,TP,1608	
R9052	2007-001697	R-CHIP:18Kohm,0.5%,1/16W,DA,TP,1608		RA37	2007-000102	R-CHIP:100Kohm,5%,1/16W,DA,TP,1608	
R9053	2007-001649	R-CHIP:4.7Kohm,0.5%,1/16W,DA,TP,1608		RA38	2007-000102	R-CHIP:100Kohm,5%,1/16W,DA,TP,1608	
R9054	2007-001697	R-CHIP:18Kohm,0.5%,1/16W,DA,TP,1608		RA39	2007-000102	R-CHIP:100Kohm,5%,1/16W,DA,TP,1608	
R9055	2007-000147	R-CHIP:8.2Kohm,5%,1/16W,DA,TP,1005		RA40	2007-000863	R-CHIP:4.3OHM,5%,1/10W,DA,TP,2012	
R9056	2007-000151	R-CHIP:15Kohm,5%,1/16W,DA,TP,1005		RA41	2007-000863	R-CHIP:4.3OHM,5%,1/10W,DA,TP,2012	
R9057	2007-000171	R-CHIP:0ohm,5%,1/16W,DA,TP,1005		RA42	2007-000102	R-CHIP:100Kohm,5%,1/16W,DA,TP,1608	
R910	2007-000151	R-CHIP:15Kohm,5%,1/16W,DA,TP,1005		RA43	2007-000102	R-CHIP:100Kohm,5%,1/16W,DA,TP,1608	
R911	2007-000219	R-CHIP:1.2Kohm,1%,1/16W,DA,TP,1608		RA44	2007-000090	R-CHIP:10KOHM,5%,1/16W,DA,TP,1608	
R913	2007-001697	R-CHIP:18Kohm,0.5%,1/16W,DA,TP,1608		RA45	2007-000097	R-CHIP:47Kohm,5%,1/16W,DA,TP,1608	
R914	2007-000141	R-CHIP:2.2Kohm,5%,1/16W,DA,TP,1005		RA46	2007-000100	R-CHIP:68Kohm,5%,1/16W,DA,TP,1608	
R915	2007-001697	R-CHIP:18Kohm,0.5%,1/16W,DA,TP,1608		RA47	2007-000118	R-CHIP:390ohm,5%,1/16W,DA,TP,1608	
R920	2007-001697	R-CHIP:18Kohm,0.5%,1/16W,DA,TP,1608		RA48	2007-000097	R-CHIP:47Kohm,5%,1/16W,DA,TP,1608	
R922	2007-001644	R-CHIP:10Kohm,0.5%,1/16W,DA,TP,1608		RA49	2007-000100	R-CHIP:68Kohm,5%,1/16W,DA,TP,1608	
R923	2007-000141	R-CHIP:2.2Kohm,5%,1/16W,DA,TP,1005		RA50	2007-000118	R-CHIP:390ohm,5%,1/16W,DA,TP,1608	
R924	2007-001694	R-CHIP:12Kohm,0.5%,1/16W,DA,TP,1608		RA51	2007-000098	R-CHIP:56Kohm,5%,1/16W,DA,TP,1608	
R925	2007-000148	R-CHIP:10Kohm,5%,1/16W,DA,TP,1005		RA53	2007-000160	R-CHIP:68Kohm,5%,1/16W,DA,TP,1005	
R931	2007-001650	R-CHIP:8.2Kohm,0.5%,1/16W,DA,TP,1608		RA54	2007-000160	R-CHIP:68Kohm,5%,1/16W,DA,TP,1005	
R932	2007-001643	R-CHIP:100Kohm,0.5%,1/16W,DA,TP,1608		RC01	2007-000170	R-CHIP:1Mohm,5%,1/16W,DA,TP,1005	
R934	2007-000982	R-CHIP:5.6Kohm,5%,1/16W,DA,TP,1005		RC03	2007-000858	R-CHIP:4.3Kohm,2%,1/16W,DA,TP,1005	
R935	2007-001697	R-CHIP:18Kohm,0.5%,1/16W,DA,TP,1608		RC04	2007-000141	R-CHIP:2.2Kohm,5%,1/16W,DA,TP,1005	
R936	2007-000151	R-CHIP:15Kohm,5%,1/16W,DA,TP,1005		RC05	2007-000963	R-CHIP:5.1Kohm,2%,1/16W,DA,TP,1005	
R937	2007-000157	R-CHIP:47Kohm,5%,1/16W,DA,TP,1005		RC06	2007-000170	R-CHIP:1Mohm,5%,1/16W,DA,TP,1005	
R938	2007-000148	R-CHIP:10Kohm,5%,1/16W,DA,TP,1005		RC08	2007-002797	R-CHIP:56ohm,5%,1/16W,DA,TP,1005	
R941	2007-000239	R-CHIP:1.5Kohm,1%,1/16W,DA,TP,1608		RC09	2007-007095	R-CHIP:390OHM,5%,1/16W,DA,TP,1005	
R942	2007-001694	R-CHIP:12Kohm,0.5%,1/16W,DA,TP,1608		RC11	2007-002797	R-CHIP:56ohm,5%,1/16W,DA,TP,1005	
R943	2007-001325	R-CHIP:3.3Kohm,5%,1/16W,DA,TP,1005		RC12	2007-007095	R-CHIP:390OHM,5%,1/16W,DA,TP,1005	
R944	2007-001697	R-CHIP:18Kohm,0.5%,1/16W,DA,TP,1608		RC14	2007-002797	R-CHIP:56ohm,5%,1/16W,DA,TP,1005	
R945	2007-000148	R-CHIP:10Kohm,5%,1/16W,DA,TP,1005		RC15	2007-007095	R-CHIP:390OHM,5%,1/16W,DA,TP,1005	
R952	2007-000148	R-CHIP:10Kohm,5%,1/16W,DA,TP,1005		RC16	2007-000162	R-CHIP:100Kohm,5%,1/16W,DA,TP,1005	
R953	2007-000148	R-CHIP:10Kohm,5%,1/16W,DA,TP,1005		RC19	2007-000171	R-CHIP:0ohm,5%,1/16W,DA,TP,1005	
R954	2007-000455	R-CHIP:18Kohm,5%,1/16W,DA,TP,1608		RC20	2007-000171	R-CHIP:0ohm,5%,1/16W,DA,TP,1005	
R955	2007-000067	R-CHIP:15Kohm,1%,1/16W,DA,TP,1608		RC24	2007-008015	R-CHIP:75ohm,1%,1/16W,DA,TP,1005	
R958	2007-000148	R-CHIP:10Kohm,5%,1/16W,DA,TP,1005		RC25	2007-001301	R-CHIP:68ohm,5%,1/16W,DA,TP,1005	
R960	2007-000151	R-CHIP:15Kohm,5%,1/16W,DA,TP,1005		RC26	2007-001313	R-CHIP:330ohm,5%,1/16W,DA,TP,1005	
R961	2007-001333	R-CHIP:18Kohm,5%,1/16W,DA,TP,1005		RC27	2007-008015	R-CHIP:75ohm,1%,1/16W,DA,TP,1005	
R962	2007-000155	R-CHIP:27Kohm,5%,1/16W,DA,TP,1005		RC28	2007-008336	R-CHIP:82OHM,1%,1/16W,1005,TP,1005	
R965	2007-000148	R-CHIP:10Kohm,5%,1/16W,DA,TP,1005		RC29	2007-001313	R-CHIP:330ohm,5%,1/16W,DA,TP,1005	
R990	2007-000162	R-CHIP:100Kohm,5%,1/16W,DA,TP,1005		RC30	2007-002970	R-CHIP:56OHM,5%,1/16W,DA,TP,1005	
R991	2007-000140	R-CHIP:1Kohm,5%,1/16W,DA,TP,1005		RC31	2007-008015	R-CHIP:75ohm,1%,1/16W,DA,TP,1005	
R9910	2007-000141	R-CHIP:2.2Kohm,5%,1/16W,DA,TP,1005		RC32	2007-001313	R-CHIP:330ohm,5%,1/16W,DA,TP,1005	
R9911	2007-000162	R-CHIP:100Kohm,5%,1/16W,DA,TP,1005		RC33	2007-002970	R-CHIP:56OHM,5%,1/16W,DA,TP,1005	
R992	2007-001038	R-CHIP:56Kohm,1%,1/16W,DA,TP,1608		RC35	2007-000171	R-CHIP:0ohm,5%,1/16W,DA,TP,1005	
R993	2007-000070	R-CHIP:0ohm,5%,1/16W,DA,TP,1608		RC39	2007-000171	R-CHIP:0ohm,5%,1/16W,DA,TP,1005	
RA01	2007-000090	R-CHIP:10KOHM,5%,1/16W,DA,TP,1608		RD01	2007-000170	R-CHIP:1Mohm,5%,1/16W,DA,TP,1005	
RA02	2007-000683	R-CHIP:3.3Kohm,1%,1/16W,DA,TP,1608		RD02	2007-000140	R-CHIP:1Kohm,5%,1/16W,DA,TP,1005	
RA03	2007-000078	R-CHIP:1Kohm,5%,1/16W,DA,TP,1608		RD03	2007-000140	R-CHIP:1Kohm,5%,1/16W,DA,TP,1005	
RA04	2007-000979	R-CHIP:5.6Kohm,1%,1/16W,DA,TP,1608		RD04	2007-000140	R-CHIP:1Kohm,5%,1/16W,DA,TP,1005	
RA05	2007-000078	R-CHIP:1Kohm,5%,1/16W,DA,TP,1608		RD05	2007-000140	R-CHIP:1Kohm,5%,1/16W,DA,TP,1005	
RA06	2007-000097	R-CHIP:47Kohm,5%,1/16W,DA,TP,1608		RD06	2007-000140	R-CHIP:1Kohm,5%,1/16W,DA,TP,1005	
RA07	2007-000106	R-CHIP:220Kohm,5%,1/16W,DA,TP,1608		RD07	2007-000171	R-CHIP:0ohm,5%,1/16W,DA,TP,1005	
RA08	2007-000090	R-CHIP:10KOHM,5%,1/16W,DA,TP,1608		RD08	2007-000171	R-CHIP:0ohm,5%,1/16W,DA,TP,1005	
RA09	2007-000106	R-CHIP:220Kohm,5%,1/16W,DA,TP,1608		REGP01	1203-002184	IC-VOLTAGE REGULATOR;71725,SOT-23-5,5P,6	
RA10	2007-000171	R-CHIP:0ohm,5%,1/16W,DA,TP,1005		RI01	2007-000148	R-CHIP:10Kohm,5%,1/16W,DA,TP,1005	
RA11	2007-000106	R-CHIP:220Kohm,5%,1/16W,DA,TP,1608		RI02	2007-000148	R-CHIP:10Kohm,5%,1/16W,DA,TP,1005	
RA12	2007-000979	R-CHIP:5.6Kohm,1%,1/16W,DA,TP,1608		RI03	2007-000148	R-CHIP:10Kohm,5%,1/16W,DA,TP,1005	
RA13	2007-000979	R-CHIP:5.6Kohm,1%,1/16W,DA,TP,1608		RI04	2007-000143	R-CHIP:4.7Kohm,5%,1/16W,DA,TP,1005	
RA14	2007-000098	R-CHIP:56Kohm,5%,1/16W,DA,TP,1608		RI05	2007-000143	R-CHIP:4.7Kohm,5%,1/16W,DA,TP,1005	
RA15	2007-000075	R-CHIP:220ohm,5%,1/16W,DA,TP,1608		RI06	2007-000143	R-CHIP:4.7Kohm,5%,1/16W,DA,TP,1005	
RA16	2007-000076	R-CHIP:330ohm,5%,1/16W,DA,TP,1608		RI07	2007-000143	R-CHIP:4.7Kohm,5%,1/16W,DA,TP,1005	
RA18	2007-000097	R-CHIP:47Kohm,5%,1/16W,DA,TP,1608		RI08	2007-000148	R-CHIP:10Kohm,5%,1/16W,DA,TP,1005	
RA19	2007-000979	R-CHIP:5.6Kohm,1%,1/16W,DA,TP,1608		RI10	2007-000162	R-CHIP:100Kohm,5%,1/16W,DA,TP,1005	
RA20	2007-001167	R-CHIP:75ohm,5%,1/16W,DA,TP,1608		RI11	2007-000148	R-CHIP:10Kohm,5%,1/16W,DA,TP,1005	
RA21	2007-000869	R-CHIP:4.7Kohm,1%,1/16W,DA,TP,1608		RI13	2007-000148	R-CHIP:10Kohm,5%,1/16W,DA,TP,1005	
RA26	2007-000070	R-CHIP:0ohm,5%,1/16W,DA,TP,1608		RI17	2007-000148	R-CHIP:10Kohm,5%,1/16W,DA,TP,1005	
RA27	2007-000107	R-CHIP:470Kohm,5%,1/16W,DA,TP,1608		RI20	2007-000140	R-CHIP:1Kohm,5%,1/16W,DA,TP,1005	
RA28	2007-000118	R-CHIP:390ohm,5%,1/16W,DA,TP,1608		RI22	2007-000138	R-CHIP:100ohm,5%,1/16W,DA,TP,1005	
RA29	2007-000078	R-CHIP:1Kohm,5%,1/16W,DA,TP,1608		RI23	2007-008301	R-CHIP:56.2OHM,1%,1/16W,DA,TP,1005	
RA31	2007-001007	R-CHIP:51Kohm,1%,1/16W,DA,TP,1608		RI24	2007-008301	R-CHIP:56.2OHM,1%,1/16W,DA,TP,1005	

Electrical Parts List

Loc.No	Part No	Desc & Spec	Remark	Loc.No	Part No	Desc & Spec	Remark
RI25	2007-008301	R-CHIP:56.2OHM,1%,1/16W,DA,TP,1005		CN902	3708-001132	CONNECTOR-FPC/FC/PIC;15P,0.5mm,SMD-A,SN	
RI26	2007-008301	R-CHIP:56.2OHM,1%,1/16W,DA,TP,1005		IC901	1201-001511	IC-PREAMP;370250,VSOP,14P,-,DUAL,500V/V,	
RI27	2007-008300	R-CHIP:5.11KOHM,1%,1/16W,DA,TP,1005		R901	2007-000123	R-CHIP:1.5Kohm,5%,1/16W,DA,TP,1608	
RI28	2007-000162	R-CHIP:100Kohm,5%,1/16W,DA,TP,1005		R902	2007-000070	R-CHIP:0ohm,5%,1/16W,DA,TP,1608	
RI29	2007-001313	R-CHIP:330ohm,5%,1/16W,DA,TP,1005		R903	2007-000070	R-CHIP:0ohm,5%,1/16W,DA,TP,1608	
RI30	2007-000171	R-CHIP:0ohm,5%,1/16W,DA,TP,1005					
RI40	2007-000157	R-CHIP:47Kohm,5%,1/16W,DA,TP,1005					
RI51	2007-008391	R-CHIP:6.34KOHM,1%,1/16W,DA,TP,1005					
RI69	2007-000140	R-CHIP:1Kohm,5%,1/16W,DA,TP,1005		BR01	3301-001296	ASSY-REAR BOARD	
RI70	2007-000148	R-CHIP:10Kohm,5%,1/16W,DA,TP,1005		CNR01	3710-001106	CORE-FERRITE BEAD;AB,600ohm,4.5x3.2x3mm,	
RI90	2007-000070	R-CHIP:0ohm,5%,1/16W,DA,TP,1608		CNR02	3710-001478	CONNECTOR-SOCKET;40P,2R,0.8mm,SMD-S,SN	
RI91	2007-000070	R-CHIP:0ohm,5%,1/16W,DA,TP,1608		CR01	2203-000189	CONNECTOR-SOCKET;18P,2R,1MM,SMD-S,SN	
RP03	2007-000162	R-CHIP:100Kohm,5%,1/16W,DA,TP,1005		DR01	0401-001054	C-CERAMIC,CHIP;100nF,+80-20%,25V,Y5V,TP,	
RP04	2007-000098	R-CHIP:56Kohm,5%,1/16W,DA,TP,1608		FER01	0505-001417	DIODE-SWITCHING;KDS160,85V,300mA,SOD-323	
RP06	2007-000171	R-CHIP:0ohm,5%,1/16W,DA,TP,1005		ICR01	AC14-12012T	FET-SILICON;TPC8303,P,-30V,-4.5A,55mohm,	
RP07	2007-000171	R-CHIP:0ohm,5%,1/16W,DA,TP,1005		QR01	0504-001072	IC-OPAMP;TA75S01F(TE85L),QFP,-	
RP08	2007-000171	R-CHIP:0ohm,5%,1/16W,DA,TP,1005		QR02	0504-001032	TR-DIGITAL;KRA303,P,NP,100mW,22K/22K,SOT-	
RP09	2007-000171	R-CHIP:0ohm,5%,1/16W,DA,TP,1005		QR05	0504-001032	TR-DIGITAL;KRC404,NPN,100MW,47K/47K,SOT-	
RP10	2007-000171	R-CHIP:0ohm,5%,1/16W,DA,TP,1005		QR06	0504-001032	TR-DIGITAL;KRC404,NPN,100MW,47K/47K,SOT-	
RP11	2007-000171	R-CHIP:0ohm,5%,1/16W,DA,TP,1005		RR01	2007-007948	TR-DIGITAL;KRC404,NPN,100MW,47K/47K,SOT-	
RP12	2007-000171	R-CHIP:0ohm,5%,1/16W,DA,TP,1005		RR02	2007-000067	R-CHIP;0.1ohm,1%,0.75W,DA,TP,5025	
RP13	2007-000171	R-CHIP:0ohm,5%,1/16W,DA,TP,1005		RR03	2007-000043	R-CHIP;15Kohm,1%,1/16W,DA,TP,1608	
RP14	2007-000171	R-CHIP:0ohm,5%,1/16W,DA,TP,1005		RR04	2007-000134	R-CHIP;1Kohm,1%,1/16W,DA,TP,1608	
RP15	2007-000171	R-CHIP:0ohm,5%,1/16W,DA,TP,1005		RR08	2007-000109	R-CHIP;33Kohm,5%,1/16W,DA,TP,1608	
RP16	2007-000162	R-CHIP:100Kohm,5%,1/16W,DA,TP,1005		RR09	2007-000077	R-CHIP;1Mohm,5%,1/16W,DA,TP,1608	
RP27	2007-000171	R-CHIP:0ohm,5%,1/16W,DA,TP,1005		RR10	2007-000077	R-CHIP;470ohm,5%,1/16W,DA,TP,1608	
RP28	2007-000171	R-CHIP:0ohm,5%,1/16W,DA,TP,1005		RR11	2007-000102	R-CHIP;100Kohm,5%,1/16W,DA,TP,1608	
RP29	2007-000171	R-CHIP:0ohm,5%,1/16W,DA,TP,1005		SWR01	3409-001035	SWITCH-DETECTOR;3-5V,50uA-10mA,2.30gf,LE	
RP30	2007-000138	R-CHIP:100ohm,5%,1/16W,DA,TP,1005		SWR03	3404-001130	SWITCH-TACT;12VDC,50mA,160gf,6.1x3.7x2.5	
RP31	2007-000138	R-CHIP:100ohm,5%,1/16W,DA,TP,1005		SWR04	2102-001019	VR-SLIDE;10Kohm,30%,1/20W,SLIDE	
RP35	2007-000138	R-CHIP:100ohm,5%,1/16W,DA,TP,1005		SWR05	3409-001035	SWITCH-DETECTOR;3-5V,50uA-10mA,2.30gf,LE	
RP38	2007-000171	R-CHIP:0ohm,5%,1/16W,DA,TP,1005		SWR06	3409-001036	SWITCH-DETECTOR;3-5V,50uA-10mA,2.30gf,L	
RP41	2007-000171	R-CHIP:0ohm,5%,1/16W,DA,TP,1005		SWR07	3404-001171	SWITCH-TACT;12VDC,50MA,200GF,6.6X6X5MM,	
RP45	2007-000138	R-CHIP:100ohm,5%,1/16W,DA,TP,1005		SWR08	3404-001117	SWITCH-TACT;12V,50mA,130gf,8.0x3.7x2.5mm	
RP46	2007-000138	R-CHIP:100ohm,5%,1/16W,DA,TP,1005		BTR1	AD63-00219A	TERMINAL-BATTERY;W-PJ,C5210R-H,0,2,-	
RP48	2007-000162	R-CHIP:100Kohm,5%,1/16W,DA,TP,1005		BTR2	AD63-00219A	TERMINAL-BATTERY;W-PJ,C5210R-H,0,2,-	
RP63	2007-000162	R-CHIP:100Kohm,5%,1/16W,DA,TP,1005		JR01	AD97-03400A	ASSY-DC JACK;-VP-D70,-	
RP64	2007-000162	R-CHIP:100Kohm,5%,1/16W,DA,TP,1005		SWR02	3403-001084	SWITCH-PUSH;DC5V,1 MA,-,ON-OFF,-	
RP71	2007-000162	R-CHIP:100Kohm,5%,1/16W,DA,TP,1005					
RP72	2007-000171	R-CHIP:0ohm,5%,1/16W,DA,TP,1005					
T901	2601-001083	TRANS-SMD,PULSE;32UH(PAL),-,6.1X6.1X2.					
XC01	2801-003652	CRYSTAL-SMD;8.192MHz,50ppm,28-ACL,12pF,5		CE01	2404-001020	ASSY-EVF BOARD	
XD01	2801-003424	CRYSTAL-SMD;41.85MHz,50ppm,28-ACC,12pF,-		CE02	2203-000189	C-TA,CHIP;10uF,20%,10V,GP,TP,3216,3.2	
XI01	2801-003907	CRYSTAL-SMD;24.576MHz,50ppm,28-ACO,12pF,		CE03	2203-000189	C-CERAMIC,CHIP;100nF,+80-20%,25V,Y5V,TP,	
XS03	2804-001309	OSCILLATOR-CLOCK;54MHZ,20PPM,10TTL& CMO		CE04	2203-000440	C-CERAMIC,CHIP;100nF,+80-20%,25V,Y5V,TP,	
XT401	2801-003823	CRYSTAL-SMD;20MHZ,50PPM,28-ACL,12PF,50OH		CE05	2404-000284	C-TA,CHIP;10uF,20%,16V,-,TP,3528,-	
XT501	2801-003242	CRYSTAL-SMD;11.895104MHZ,50PPM,28-ABL,13		CE07	2404-001020	C-TA,CHIP;10uF,20%,10V,GP,TP,3216,3.2	
XT502	2801-000258	CRYSTAL-UNIT;32.768KHz,20ppm,28-AAW,12.5		CE08	2203-000189	C-CERAMIC,CHIP;100nF,+80-20%,25V,Y5V,TP,	
RC22	2007-000171	R-CHIP:0ohm,5%,1/16W,DA,TP,1005		CE10	2203-000189	C-CERAMIC,CHIP;100nF,+80-20%,25V,Y5V,TP,	
				CE11	2203-000189	C-CERAMIC,CHIP;100nF,+80-20%,25V,Y5V,TP,	
				CE12	2203-000189	C-CERAMIC,CHIP;100nF,+80-20%,25V,Y5V,TP,	
				CE13	2203-000975	C-CERAMIC,CHIP;47nF,10%,25V,X7R,TP,1608,	
CC01	2404-000212	ASSY-CCD BOARD		CE14	2404-000151	C-TA,CHIP;1uF,20%,16V,-,TP,3216,-	
CC02	2203-000189	C-TA,CHIP;3.3uF,20%,25V,-,TP,3528,-		CE15	2404-000151	C-TA,CHIP;1uF,20%,16V,-,TP,3216,-	
CC03	2203-000257	C-CERAMIC,CHIP;100nF,+80-20%,25V,Y5V,TP,		CE16	2404-001020	C-TA,CHIP;10uF,20%,10V,GP,TP,3216,3.2	
CC04	2203-000440	C-CERAMIC,CHIP;1nF,10%,50V,X7R,TP,1608,-		CE17	2203-000189	C-CERAMIC,CHIP;100nF,+80-20%,25V,Y5V,TP,	
CC05	2203-000189	C-CERAMIC,CHIP;100nF,+80-20%,25V,Y5V,TP,		CE18	2203-000189	C-CERAMIC,CHIP;100nF,+80-20%,25V,Y5V,TP,	
CC06	2404-000212	C-TA,CHIP;3.3uF,20%,25V,-,TP,3528,-		CE19	2203-000189	C-CERAMIC,CHIP;100nF,+80-20%,25V,Y5V,TP,	
CNC01	3711-004241	CONNECTOR-HEADER;BOX,18P,2R,1MM,SMD-A,SN		CNE01	3711-002612	CONNECTOR-HEADER;BOX,5P,1R,1.25mm,SMD-A,	
DC01	0401-001054	DIODE-SWITCHING;KDS160,85V,300mA,SOD-323		CNE02	3708-001076	CONNECTOR-FPC/FC/PIC;20P,0.5mm,SMT-S,SN	
QC01	0505-000180	FET-SILICON;2SK1070,N,-,50mA,-,150mW,SOT		CNE03	3711-002162	CONNECTOR-HEADER;3WALL,2P,1R,1.25mm,SMD-	
RC01	2007-000074	R-CHIP:100ohm,5%,1/16W,DA,TP,1608		ICE01	1003-001373	IC-LCD DRIVER;MCVVQ111FB,LQFP,48P,276MIL	
RC02	2007-000124	R-CHIP;2.2Kohm,5%,1/16W,DA,TP,1608		LE01	2703-000397	INDUCTOR-SMD;33uH,10%,2.5x2x1.8mm	
RC04	2007-000109	R-CHIP:1Mohm,5%,1/16W,DA,TP,1608		LE03	2703-000397	INDUCTOR-SMD;33uH,10%,2.5x2x1.8mm	
RC05	2007-000102	R-CHIP;100Kohm,5%,1/16W,DA,TP,1608		QE02	0501-002310	TR-SMALLSIGNAL;HN1B04FU,P,NP/NPN,200mW,U	
RC06	2007-000109	R-CHIP:1Mohm,5%,1/16W,DA,TP,1608		RE01	2007-001125	R-CHIP;68Kohm,1%,1/16W,DA,TP,1608	
RC50	2007-000070	R-CHIP:0ohm,5%,1/16W,DA,TP,1608		RE02	2007-001068	R-CHIP;6.8Kohm,1%,1/16W,DA,TP,1608	
ICC01	0605-001052	CCD;COLOR,DIP,14P,400MIL,460K,3.72		RE05	2007-000828	R-CHIP;39Kohm,1%,1/16W,DA,TP,1608	
				RE06	2007-000828	R-CHIP;39Kohm,1%,1/16W,DA,TP,1608	
				RE07	2007-000078	R-CHIP;1Kohm,5%,1/16W,DA,TP,1608	
				RE08	2007-000346	R-CHIP;120OHM,5%,1/8W,DA,TP,3216	
C901	2203-005148	ASSY-PREAMPBOARD		RE16	2007-000090	R-CHIP;10KOHM,5%,1/16W,DA,TP,1608	
CN901	3708-001235	C-CERAMIC,CHIP;100nF,10%,16V,X7R,TP,1608		RE17	2007-000082	R-CHIP;3.3Kohm,5%,1/16W,DA,TP,1608	
		CONNECTOR-FPC/FC/PIC;10P,0.5mm,SMD-A,SN					

Loc.No	Part No	Desc & Spec	Remark	Loc.No	Part No	Desc & Spec	Remark
RE19	2007-000090	R-CHIP;10KOHM,5%,1/16W,DA,TP,1608		LL102	2703-000407	INDUCTOR-SMD;330uH,10%,3.2x2.5x2.2mm	
RE20	2007-000090	R-CHIP;10KOHM,5%,1/16W,DA,TP,1608		LL104	2703-000396	INDUCTOR-SMD;10uH,10%,2.5x2x1.8mm	
RE21	2007-000091	R-CHIP;12Kohm,5%,1/16W,DA,TP,1608		LL105	2703-000396	INDUCTOR-SMD;10uH,10%,2.5x2x1.8mm	
RE22	2007-001670	R-CHIP;68OHM,1%,1/10W,DA,TP,2012		LL109	2703-001866	INDUCTOR-SMD;100UH,20%,6X6X2.8MM	
RE24	2007-000084	R-CHIP;4.7Kohm,5%,1/16W,DA,TP,1608		LL115	2703-000398	INDUCTOR-SMD;10uH,10%,3.2x2.5x2.2mm	
RE25	2007-000097	R-CHIP;47Kohm,5%,1/16W,DA,TP,1608		LL201	2703-000396	INDUCTOR-SMD;10uH,10%,2.5x2x1.8mm	
RE29	2007-000091	R-CHIP;12Kohm,5%,1/16W,DA,TP,1608		LL202	2703-000396	INDUCTOR-SMD;10uH,10%,2.5x2x1.8mm	
VRE02	2104-000110	VR-SMD;10Kohm,25%,0.15W,TOP		LL304	2703-000396	INDUCTOR-SMD;10uH,10%,2.5x2x1.8mm	
		ASSY-LCD BOARD		LL307	2703-000407	INDUCTOR-SMD;330uH,10%,3.2x2.5x2.2mm	
CL101	2203-000189	C-CERAMIC,CHIP;100nF,+80-20%,25V,Y5V,TP		LL401	2703-000396	INDUCTOR-SMD;10uH,10%,2.5x2x1.8mm	
CL102	2203-000189	C-CERAMIC,CHIP;100nF,+80-20%,25V,Y5V,TP		QL103	0504-001037	TR-DIGITAL;KRC401,NPN,100MW,4.7K/4.7K,SO	
CL104	2203-000189	C-CERAMIC,CHIP;100nF,+80-20%,25V,Y5V,TP		QL108	0502-001182	TR-POWER;KTD1898,NPN,500mW,SOT-89,TP,12	
CL107	2404-000212	C-TA,CHIP;3.3uF,20%,25V,-,TP,3528,-		QL109	0502-001182	TR-POWER;KTD1898,NPN,500mW,SOT-89,TP,12	
CL110	2404-000212	C-TA,CHIP;3.3uF,20%,25V,-,TP,3528,-		QL110	0501-002311	TR-SMALLSIGNAL;HN2A01FU,PNP,200mW,UMD6,	
CL111	2203-000189	C-CERAMIC,CHIP;100nF,+80-20%,25V,Y5V,TP		QL302	0501-002312	TR-SMALLSIGNAL;HN2C01FU,NPN,200mW,UMD6,	
CL137	2404-001131	C-TA,CHIP;22UF,20%,10V,GP,TP,3528		QL303	0501-002128	TR-SMALLSIGNAL;KTC4075,NPN,100mW,USM,TP	
CL138	2203-000189	C-CERAMIC,CHIP;100nF,+80-20%,25V,Y5V,TP		RL136	2007-000516	R-CHIP;2.7Kohm,1%,1/16W,DA,TP,1608	
CL148	2301-001108	C-FILM,CHIP;22nF,5%,50V,TP,3.2x2.5x1.4,3		RL137	2007-000516	R-CHIP;2.7Kohm,1%,1/16W,DA,TP,1608	
CL150	2203-005046	C-CERAMIC,CHIP;0.022nF,5%,3kV,NP0,TP,452		RL140	2007-000124	R-CHIP;2.2Kohm,5%,1/16W,DA,TP,1608	
CL157	2404-001020	C-TA,CHIP;10uF,20%,10V,GP,TP,3216,3.2		RL141	2007-000116	R-CHIP;120ohm,5%,1/16W,DA,TP,1608	
CL158	2203-000189	C-CERAMIC,CHIP;100nF,+80-20%,25V,Y5V,TP		RL142	2007-000078	R-CHIP;1Kohm,5%,1/16W,DA,TP,1608	
CL160	2404-001131	C-TA,CHIP;22UF,20%,10V,GP,TP,3528		RL201	2007-000090	R-CHIP;10KOHM,5%,1/16W,DA,TP,1608	
CL161	2203-000189	C-CERAMIC,CHIP;100nF,+80-20%,25V,Y5V,TP		RL202	2007-000102	R-CHIP;100Kohm,5%,1/16W,DA,TP,1608	
CL162	2404-001020	C-TA,CHIP;10uF,20%,10V,GP,TP,3216,3.2		RL203	2007-000102	R-CHIP;100Kohm,5%,1/16W,DA,TP,1608	
CL202	2404-000232	C-TA,CHIP;4.7uF,20%,10V,-,TP,3216,-		RL204	2007-000092	R-CHIP;15Kohm,5%,1/16W,DA,TP,1608	
CL203	2203-001103	C-CERAMIC,CHIP;6.8nF,10%,50V,X7R,TP,1608		RL205	2007-000090	R-CHIP;10KOHM,5%,1/16W,DA,TP,1608	
CL204	2404-000232	C-TA,CHIP;4.7uF,20%,10V,-,TP,3216,-		RL206	2007-000101	R-CHIP;82Kohm,5%,1/16W,DA,TP,1608	
CL205	2203-000783	C-CERAMIC,CHIP;0.33nF,5%,50V,NP0,TP,1608		RL207	2007-000119	R-CHIP;560ohm,5%,1/16W,DA,TP,1608	
CL206	2203-005105	C-CERAMIC,CHIP;0.68nF,5%,50V,NP0,TP,1608		RL240	2007-001038	R-CHIP;56Kohm,1%,1/16W,DA,TP,1608	
CL207	2404-000151	C-TA,CHIP;1uF,20%,16V,-,TP,3216,-		RL241	2007-000336	R-CHIP;120Kohm,1%,1/16W,DA,TP,1608	
CL208	2203-000189	C-CERAMIC,CHIP;100nF,+80-20%,25V,Y5V,TP		RL242	2007-001038	R-CHIP;56Kohm,1%,1/16W,DA,TP,1608	
CL209	2203-000189	C-CERAMIC,CHIP;100nF,+80-20%,25V,Y5V,TP		RL243	2007-000336	R-CHIP;120Kohm,1%,1/16W,DA,TP,1608	
CL210	2404-000232	C-TA,CHIP;4.7uF,20%,10V,-,TP,3216,-		RL244	2007-001038	R-CHIP;56Kohm,1%,1/16W,DA,TP,1608	
CL211	2203-000189	C-CERAMIC,CHIP;100nF,+80-20%,25V,Y5V,TP		RL245	2007-000336	R-CHIP;120Kohm,1%,1/16W,DA,TP,1608	
CL212	2203-002793	C-CERAMIC,CHIP;1000nF,+80-20%,25V,Y5V,TP		RL246	2007-000965	R-CHIP;5.1Kohm,5%,1/16W,DA,TP,1608	
CL213	2203-002793	C-CERAMIC,CHIP;1000nF,+80-20%,25V,Y5V,TP		RL247	2007-000965	R-CHIP;5.1Kohm,5%,1/16W,DA,TP,1608	
CL214	2203-002793	C-CERAMIC,CHIP;1000nF,+80-20%,25V,Y5V,TP		RL248	2007-000965	R-CHIP;5.1Kohm,5%,1/16W,DA,TP,1608	
CL217	2203-002793	C-CERAMIC,CHIP;1000nF,+80-20%,25V,Y5V,TP		RL301	2007-000458	R-CHIP;18Kohm,5%,1/16W,DA,TP,1608	
CL218	2404-000151	C-TA,CHIP;1uF,20%,16V,-,TP,3216,-		RL302	2007-000078	R-CHIP;1Kohm,5%,1/16W,DA,TP,1608	
CL219	2203-002793	C-CERAMIC,CHIP;1000nF,+80-20%,25V,Y5V,TP		RL303	2007-000086	R-CHIP;5.6Kohm,5%,1/16W,DA,TP,1608	
CL220	2203-002793	C-CERAMIC,CHIP;1000nF,+80-20%,25V,Y5V,TP		RL304	2007-000078	R-CHIP;1Kohm,5%,1/16W,DA,TP,1608	
CL221	2404-000232	C-TA,CHIP;4.7uF,20%,10V,-,TP,3216,-		RL305	2007-000102	R-CHIP;100Kohm,5%,1/16W,DA,TP,1608	
CL222	2404-000232	C-TA,CHIP;4.7uF,20%,10V,-,TP,3216,-		RL428	2007-000074	R-CHIP;100ohm,5%,1/16W,DA,TP,1608	
CL223	2404-000232	C-TA,CHIP;4.7uF,20%,10V,-,TP,3216,-		RL429	2007-000102	R-CHIP;100Kohm,5%,1/16W,DA,TP,1608	
CL224	2404-000284	C-TA,CHIP;10uF,20%,16V,-,TP,3528,-		SWL101	3409-001035	SWITCH-DETECTOR;3-5V,50uA-10mA,2.30gf,LE	
CL226	2404-000151	C-TA,CHIP;1uF,20%,16V,-,TP,3216,-		TL101	AD26-82001C	TRANS-INVERTER;12.4X11X3.4,6V,101KHZ,843	
CL227	2404-000151	C-TA,CHIP;1uF,20%,16V,-,TP,3216,-				ASSY-FUNCTION BOARD	
CL229	2203-000189	C-CERAMIC,CHIP;100nF,+80-20%,25V,Y5V,TP		CF01	2404-001020	C-TA,CHIP;10uF,20%,10V,GP,TP,3216,3.2	
CL230	2404-000304	C-TA,CHIP;22uF,20%,6.3V,-,TP,3528,-		CF02	2203-000257	C-CERAMIC,CHIP;10nF,10%,50V,X7R,TP,1608	
CL231	2203-000189	C-CERAMIC,CHIP;100nF,+80-20%,25V,Y5V,TP		CF03	2203-000257	C-CERAMIC,CHIP;10nF,10%,50V,X7R,TP,1608	
CL232	2404-001020	C-TA,CHIP;10uF,20%,10V,GP,TP,3216,3.2		CF04	2404-001020	C-TA,CHIP;10uF,20%,10V,GP,TP,3216,3.2	
CL240	2404-000304	C-TA,CHIP;22uF,20%,6.3V,-,TP,3528,-		CF05	2203-005148	C-CERAMIC,CHIP;100nF,10%,16V,X7R,TP,1608	
CL302	2404-001020	C-TA,CHIP;10uF,20%,10V,GP,TP,3216,3.2		CF06	2404-000190	C-TA,CHIP;22uF,20%,16V,-,TP,5832,-	
CL303	2404-001020	C-TA,CHIP;10uF,20%,10V,GP,TP,3216,3.2		CF08	2404-000304	C-TA,CHIP;22uF,20%,6.3V,-,TP,3528,-	
CL316	2404-001020	C-TA,CHIP;10uF,20%,10V,GP,TP,3216,3.2		ICF01	1203-002306	IC-VOLTAGE REGULATOR;TK71650SOT,SOT-23-5,	
CL317	2203-000189	C-CERAMIC,CHIP;100nF,+80-20%,25V,Y5V,TP		LDF01	0601-001006	LED;CHIP,Y-GRN,1.3x2.9mm,570nm	
CL318	2404-001020	C-TA,CHIP;10uF,20%,10V,GP,TP,3216,3.2		LF01	2703-002181	INDUCTOR-SMD;33UH,10%,2.5X2.0X1.8MM	
CL319	2203-000189	C-CERAMIC,CHIP;100nF,+80-20%,25V,Y5V,TP		LF02	2703-002174	INDUCTOR-SMD;10UH,10%,2.5X2.0X1.8MM	
CL331	2404-000284	C-TA,CHIP;10uF,20%,16V,-,TP,3528,-		PF01	3708-001115	CONNECTOR-FPC/FC/PIC;40P,0.5mm,SMD-S,SN	
CL332	2404-000335	C-TA,CHIP;3.3uF,20%,16V,GP,TP,3216		PF02	3711-002162	CONNECTOR-HEADER;3WALL,2P,1R,1.25mm,SMD-	
CL343	2404-001020	C-TA,CHIP;10uF,20%,10V,GP,TP,3216,3.2		PF03	3708-001114	CONNECTOR-FPC/FC/PIC;30P,0.5mm,SMD-S,SN	
CL344	2203-000189	C-CERAMIC,CHIP;100nF,+80-20%,25V,Y5V,TP		PF05	3711-000475	CONNECTOR-HEADER;3WALL,5P,1R,1.25mm,SMD-	
CL401	2404-000284	C-TA,CHIP;10uF,20%,16V,-,TP,3528,-		QF01	0504-001032	TR-DIGITAL;KRC404,NPN,100MW,47K/47K,SOT-	
CL412	2203-002793	C-CERAMIC,CHIP;1000nF,+80-20%,25V,Y5V,TP		QF02	0502-001076	TR-POWER;2SB1302(T),PNP,1.3W,SC-62,TP,2	
CNL101	3708-001455	CONNECTOR-FPC/FC/PIC;30P,0.5mm,SMD-A,SN		QF03	0504-001032	TR-DIGITAL;KRC404,NPN,100MW,47K/47K,SOT-	
CNL102	3708-001334	CONNECTOR-FPC/FC/PIC;10P,0.8mm,SMD-A,SN		QF04	0501-000546	TR-SMALLSIGNAL;KSA1298,PNP,200mW,SOT-23	
CNL301	3708-001604	CONNECTOR-FPC/FC/PIC;24P,0.5MM,SMD-A,SN		QF05	0504-001032	TR-DIGITAL;KRC404,NPN,100MW,47K/47K,SOT-	
DL303	0401-001054	DIODE-SWITCHING;KDS160,85V,300mA,SOD-323		RF01	2007-000072	R-CHIP;47ohm,5%,1/16W,DA,TP,1608	
ICL201	1003-001368	IC-LCD DRIVER;AN2533FH,QFP,64P,393MIL,-		RF02	2007-000078	R-CHIP;1Kohm,5%,1/16W,DA,TP,1608	
ICL202	1103-001133	IC-EEPROM;24C020,256x8BIT,SOP,8P,150MIL,		RF03	2007-000102	R-CHIP;100Kohm,5%,1/16W,DA,TP,1608	
ICL301	1201-001086	IC-OPAMP;TA75S558F,SOP,5P,62.9MIL,DUAL		RF04	2007-000651	R-CHIP;27Kohm,1%,1/16W,DA,TP,1608	

Electrical Parts List

Loc.No	Part No	Desc & Spec	Remark	Loc.No	Part No	Desc & Spec	Remark
RF05	2007-000828	R-CHIP:39Kohm,1%,1/16W,DA,TP,1608		J52	AC38-12001U	WIRE-JUMPER(H-WRAP);1007#26,120M/M	
RF06	2007-001206	R-CHIP:82Kohm,1%,1/16W,DA,TP,1608		J53	2007-000029	R-CHIP:0OHM,5%,1/10W,DA,TP,2012	
RF07	2007-000633	R-CHIP:270Kohm,1%,1/16W,DA,TP,1608		J55	AC38-12001U	WIRE-JUMPER(H-WRAP);1007#26,120M/M	
RF09	2007-001206	R-CHIP:82Kohm,1%,1/16W,DA,TP,1608		J56	AC38-12001U	WIRE-JUMPER(H-WRAP);1007#26,120M/M	
RF10	2007-000828	R-CHIP:39Kohm,1%,1/16W,DA,TP,1608		J57	AC38-12001U	WIRE-JUMPER(H-WRAP);1007#26,120M/M	
RF11	2007-000651	R-CHIP:27Kohm,1%,1/16W,DA,TP,1608		J61	AC38-12001U	WIRE-JUMPER(H-WRAP);1007#26,120M/M	
RF12	2007-000102	R-CHIP:100Kohm,5%,1/16W,DA,TP,1608		L50	AC27-12001N	COIL-CHOKE;10UH-15%,RA,K-30,Q80,150KHZ,-	
RF13	2007-000078	R-CHIP:1Kohm,5%,1/16W,DA,TP,1608		LF10	AC27-32001F	COIL-LINE FILTER;BSF-2123,20MH,20HM,ST,-	
RF14	2007-000102	R-CHIP:100Kohm,5%,1/16W,DA,TP,1608		PC10	0604-000119	PHOTO-COUPLER;TR,200-400%,200mW,DIL-4,ST	
RF15	2007-000123	R-CHIP:1.5Kohm,5%,1/16W,DA,TP,1608		Q52	0501-000457	TR-SMALLSIGNAL;MMBT2222A,NPN,350mW,SOT-	
RF17	2007-000070	R-CHIP:0ohm,5%,1/16W,DA,TP,1608		R00	2007-000477	R-CHIP:1MOHM,5%,1/10W,DA,TP,2012	
RF19	2007-000078	R-CHIP:1Kohm,5%,1/16W,DA,TP,1608		R10	2007-000481	R-CHIP:1MOHM,5%,1/8W,DA,TP,3216	
RF20	2007-000078	R-CHIP:1Kohm,5%,1/16W,DA,TP,1608		R11	2007-000481	R-CHIP:1MOHM,5%,1/8W,DA,TP,3216	
RF22	2007-000458	R-CHIP:18Kohm,5%,1/16W,DA,TP,1608		R13	2003-000771	R-METALOXIDE(S);68Kohm,5%,2W,AA,TP,4x12	
RF23	2007-000098	R-CHIP:56Kohm,5%,1/16W,DA,TP,1608		R14	2007-000598	R-CHIP:22OHM,5%,1/8W,DA,TP,3216	
RF26	2007-000071	R-CHIP:22ohm,5%,1/16W,DA,TP,1608		R15	2007-000768	R-CHIP:330OHM,5%,1/8W,DA,TP,3216	
RF27	2007-001042	R-CHIP:56ohm,1%,1/16W,DA,TP,1608		R16	2007-000768	R-CHIP:330OHM,5%,1/8W,DA,TP,3216	
RF28	2007-000102	R-CHIP:100Kohm,5%,1/16W,DA,TP,1608		R17	2007-001212	R-CHIP:82KOHM,5%,1/8W,DA,TP,3216	
RF29	2007-000141	R-CHIP:2.2Kohm,5%,1/16W,DA,TP,1005		R18	2007-001212	R-CHIP:82KOHM,5%,1/8W,DA,TP,3216	
SWF01	3404-001037	SWITCH-TACT;12V,50mA,130gf,6x6x4.3mm,SPS		R19	2007-001212	R-CHIP:82KOHM,5%,1/8W,DA,TP,3216	
SWF02	3404-001037	SWITCH-TACT;12V,50mA,130gf,6x6x4.3mm,SPS		R20	2007-001212	R-CHIP:82KOHM,5%,1/8W,DA,TP,3216	
SWF03	3404-001037	SWITCH-TACT;12V,50mA,130gf,6x6x4.3mm,SPS		R21	2001-000374	R-CARBON;15OHM,5%,1/4W,AA,TP,2.4X6.4MM	
SWF04	3404-001037	SWITCH-TACT;12V,50mA,130gf,6x6x4.3mm,SPS		R30	2001-000739	R-CARBON;4.7MOHM,5%,1/8W,AA,TP,1.8X3.2M	
SWF05	3404-001037	SWITCH-TACT;12V,50mA,130gf,6x6x4.3mm,SPS		R30	2201-001005	C-CERAMIC,DISC;2.2nF,20%,400V,Y5U,TP,1x	
SWF07	3404-001034	SWITCH-TACT;12V,50mA,160gf,4x7.4x1.8mm,S		R30A	2201-001005	C-CERAMIC,DISC;2.2nF,20%,400V,Y5U,TP,1x	
SWF08	3404-001034	SWITCH-TACT;12V,50mA,160gf,4x7.4x1.8mm,S		R50	2007-000472	R-CHIP:1KOHM,5%,1/8W,DA,TP,3216	
SWF09	3404-001037	SWITCH-TACT;12V,50mA,130gf,6x6x4.3mm,SPS		R51	2007-000472	R-CHIP:1KOHM,5%,1/8W,DA,TP,3216	
SWF10	3404-001037	SWITCH-TACT;12V,50mA,130gf,6x6x4.3mm,SPS		R53	2007-000868	R-CHIP:4.7KOHM,1%,1/10W,DA,TP,2012	
SWF11	3409-001035	SWITCH-DETECTOR;3-5V,50uA-10mA,2,30gf,LE		R54	2007-000868	R-CHIP:4.7KOHM,1%,1/10W,DA,TP,2012	
RMF01	AD32-00010A	MODULE REMOCON;PIC-2604 SM1,37.9KHz,940m		R55	2007-000312	R-CHIP:100HM,5%,1/8W,DA,TP,3216	
SWF13	3409-001024	SWITCH-DETECTOR;5V,1mA,SPST,31gf,LEVER		R57	2007-000938	R-CHIP:47KOHM,1%,1/10W,DA,TP,2012	
VRF01	2101-001078	VR-ROTARY;1ohm,-,-,TOP		R58	2007-001205	R-CHIP:82KOHM,1%,1/10W,DA,TP,2012	
	AD44-00035A	ADAPTOR-AC POWER;100/240V,50HZ/60HZ,-,-,		R59	2007-000868	R-CHIP:4.7KOHM,1%,1/10W,DA,TP,2012	
C10	2203-000455	C-CERAMIC,CHIP;1nF,5%,50V,NP0,TP,2012		R60	2007-000771	R-CHIP:33KOHM,1%,1/10W,DA,TP,2012	
C11	2301-001092	C-FILM,MPEF;100nF,20%,275V,BK,18x6x12,15		R61	2007-000395	R-CHIP:150KOHM,5%,1/10W,DA,TP,2012	
C12	2401-003302	C-AL;47uF,20%,400V,GP,TP,18X31.5,7.		R62	2007-001039	R-CHIP:56KOHM,5%,1/10W,DA,TP,2012	
C13	2401-003046	C-AL;47uF,20%,50V,WT,TP,6.3x11,2,5		R63	2007-000290	R-CHIP:100OHM,5%,1/10W,DA,TP,2012	
C14	2203-000716	C-CERAMIC,CHIP;3.3nF,10%,50V,X7R,TP,2012		R64	2007-001205	R-CHIP:82KOHM,1%,1/10W,DA,TP,2012	
C15	2203-000716	C-CERAMIC,CHIP;3.3nF,10%,50V,X7R,TP,2012		R65	2007-000868	R-CHIP:4.7KOHM,1%,1/10W,DA,TP,2012	
C16	2203-000716	C-CERAMIC,CHIP;3.3nF,10%,50V,X7R,TP,2012		R66	2007-000406	R-CHIP:15KOHM,1%,1/10W,DA,TP,2012	
C30	2201-000828	C-CERAMIC,DISC;3.3nF,20%,400V,Y5U,TP,15x		R68	2007-000572	R-CHIP:220OHM,5%,1/10W,DA,TP,2012	
C50	2401-000133	C-AL;1000uF,20%,16V,GP,TP,10x20,5		R70	2007-000546	R-CHIP:20KOHM,5%,1/10W,DA,TP,2012	
C51	2401-000037	C-AL;470uF,20%,16V,GP,TP,8x11,5,5		R71	2007-000300	R-CHIP:10KOHM,5%,1/10W,DA,TP,2012	
C55	2203-000239	C-CERAMIC,CHIP;0.1nF,5%,50V,NP0,TP,2012		R72	2007-000582	R-CHIP:22KOHM,1%,1/10W,DA,TP,2012	
C57	2203-002793	C-CERAMIC,CHIP;1000nF,+80-20%,25V,Y5V,TP		R74	2007-001205	R-CHIP:82KOHM,1%,1/10W,DA,TP,2012	
C58	2203-000192	C-CERAMIC,CHIP;100nF,+80-20%,50V,Y5V,TP		R76	2005-000102	R-WIRE WOUND;0.1ohm,1%,1W,AA,TP,4.5x11mm	
C59	2203-000938	C-CERAMIC,CHIP;0.47nF,5%,50V,NP0,TP,2012		R77	2007-000068	R-CHIP:470KOHM,5%,1/10W,DA,TP,2012	
C61	2203-000192	C-CERAMIC,CHIP;100nF,+80-20%,50V,Y5V,TP		R79	2007-001067	R-CHIP:6.8KOHM,1%,1/10W,DA,TP,2012	
C62	2401-000442	C-AL;10uF,20%,25V,GP,TP,5x5,2,5		R80	2007-000477	R-CHIP:1MOHM,5%,1/10W,DA,TP,2012	
C63	2203-000455	C-CERAMIC,CHIP;1nF,5%,50V,NP0,TP,2012		T10	AD26-00026A	TRANS POWER;AA-E6,AA-E6,1.4mH,6P,100-260	
CON1	3721-001034	PLUG-AC POWER;2P,-,-,NI		VR50	2101-001049	VR-ROTARY;500ohm,-,-,-	
CON2	3711-000900	CONNECTOR-HEADER;BOX,3P,1R,2.5mm,STRAIGH			AD59-00066A	REMOCON;VP-D70,BRM-D2E,87X52X14,DVC,16	
D10	0402-000137	DIODE-RECTIFIER;1N4007,1000V,1A,DO-41,TP		CT02	2203-000239	C-CERAMIC,CHIP;0.1nF,5%,50V,NP0,TP,2012	
D11	0402-000137	DIODE-RECTIFIER;1N4007,1000V,1A,DO-41,TP		CT03	2203-000239	C-CERAMIC,CHIP;0.1nF,5%,50V,NP0,TP,2012	
D12	0402-000137	DIODE-RECTIFIER;1N4007,1000V,1A,DO-41,TP		CT04	2203-000199	C-CERAMIC,CHIP;100nF,+80-20%,50V,Z5U,TP,	
D13	0402-000137	DIODE-RECTIFIER;1N4007,1000V,1A,DO-41,TP		ICT01	AD09-00005A	IC-MCU;KS51850-H9D,-,REEL,-,-,SOP,-	
D14	0402-001041	DIODE-RECTIFIER;ERA22-10,1000V,500mA,MSR		LDT01	0601-000519	LED-IR;ROUND,5mm,170mW,4V,940nm,-	
D15	0402-001041	DIODE-RECTIFIER;ERA22-10,1000V,500mA,MSR		RT01	2007-000483	R-CHIP:1OHM,5%,1/10W,DA,TP,2012	
D50	0402-001062	DIODE-RECTIFIER;SF10SC9,90V,10A,FTO-220,		XT01	2802-000148	RESONATOR-CERAMIC;455KHz,0.4%,BK,7.0x3.5	
D52	0407-000116	DIODE-ARRAY;DAP202K,80V,100mA,CK2-3,SOT-					
D53	0407-000114	DIODE-ARRAY;DAN202K,80V,100mA,CA2-3,SOT-					
D54	0407-000114	DIODE-ARRAY;DAN202K,80V,100mA,CA2-3,SOT-					
D55	0407-000114	DIODE-ARRAY;DAN202K,80V,100mA,CA2-3,SOT-					
F10	3601-000207	FUSE-CARTRIDGE;250V,1A,TIME-LAG,GLASS,5.					
IC10	1203-002180	IC-PWM CONTROLLER;5M0265,TO220F-4L,4P,39					
IC50	AC14-12006D	IC;KA431Z,TO-92,TAPING					
IC51	AC14-12001K	IC;KA324,-,-					
J10	AC38-12001U	WIRE-JUMPER(H-WRAP);1007#26,120M/M					
J11	AC38-12001U	WIRE-JUMPER(H-WRAP);1007#26,120M/M					
J50	2007-000029	R-CHIP:0OHM,5%,1/10W,DA,TP,2012					
J51	AC38-12001U	WIRE-JUMPER(H-WRAP);1007#26,120M/M					

---

## 7. PCB Diagrams

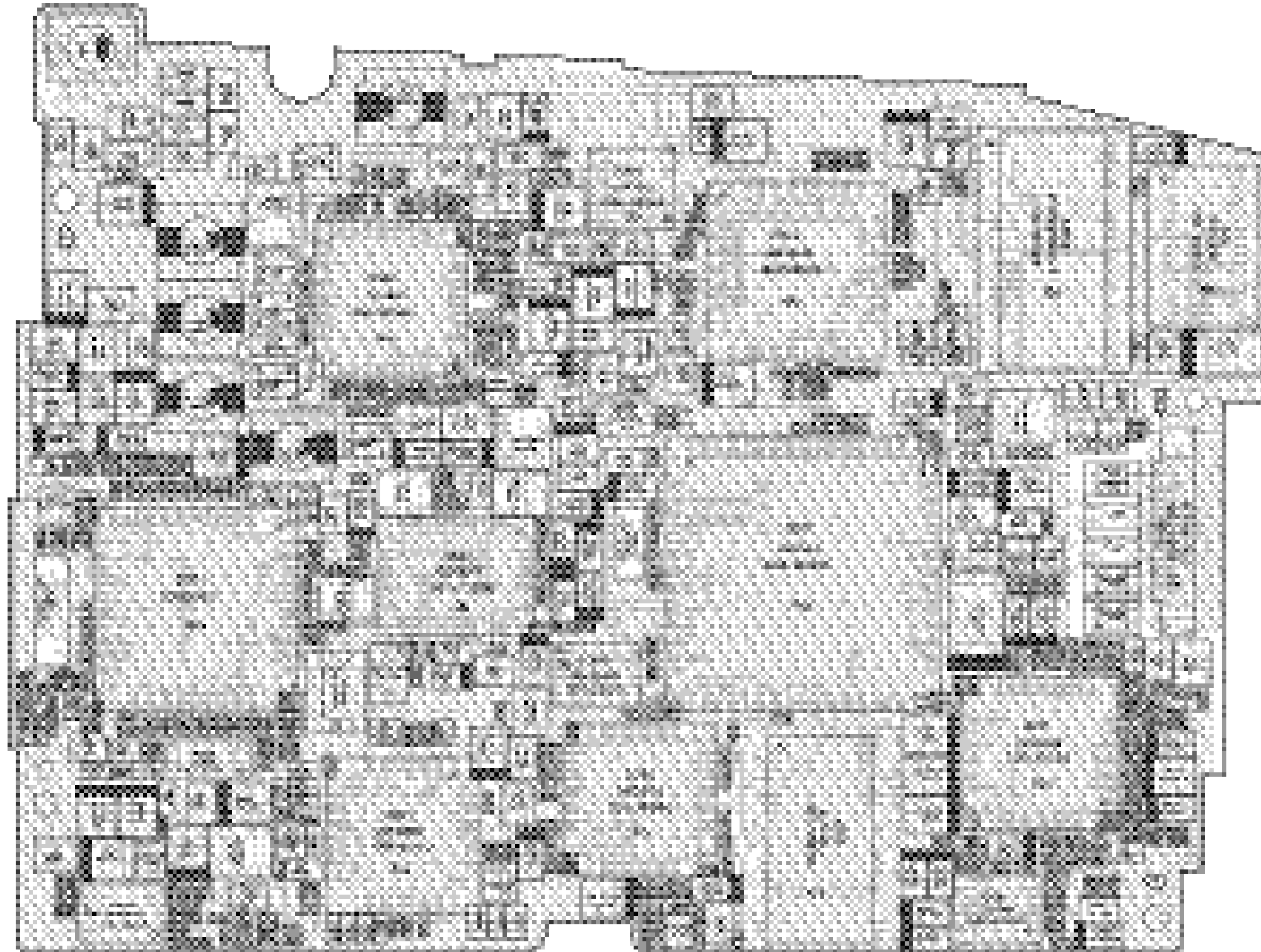
---

	Page
7-1 Main .....	7-2
7-2 Rear .....	7-4
7-3 Fucntion .....	7-5
7-4 EVF .....	7-6
7-5 LCD .....	7-7
7-6 Pre Amp .....	7-8

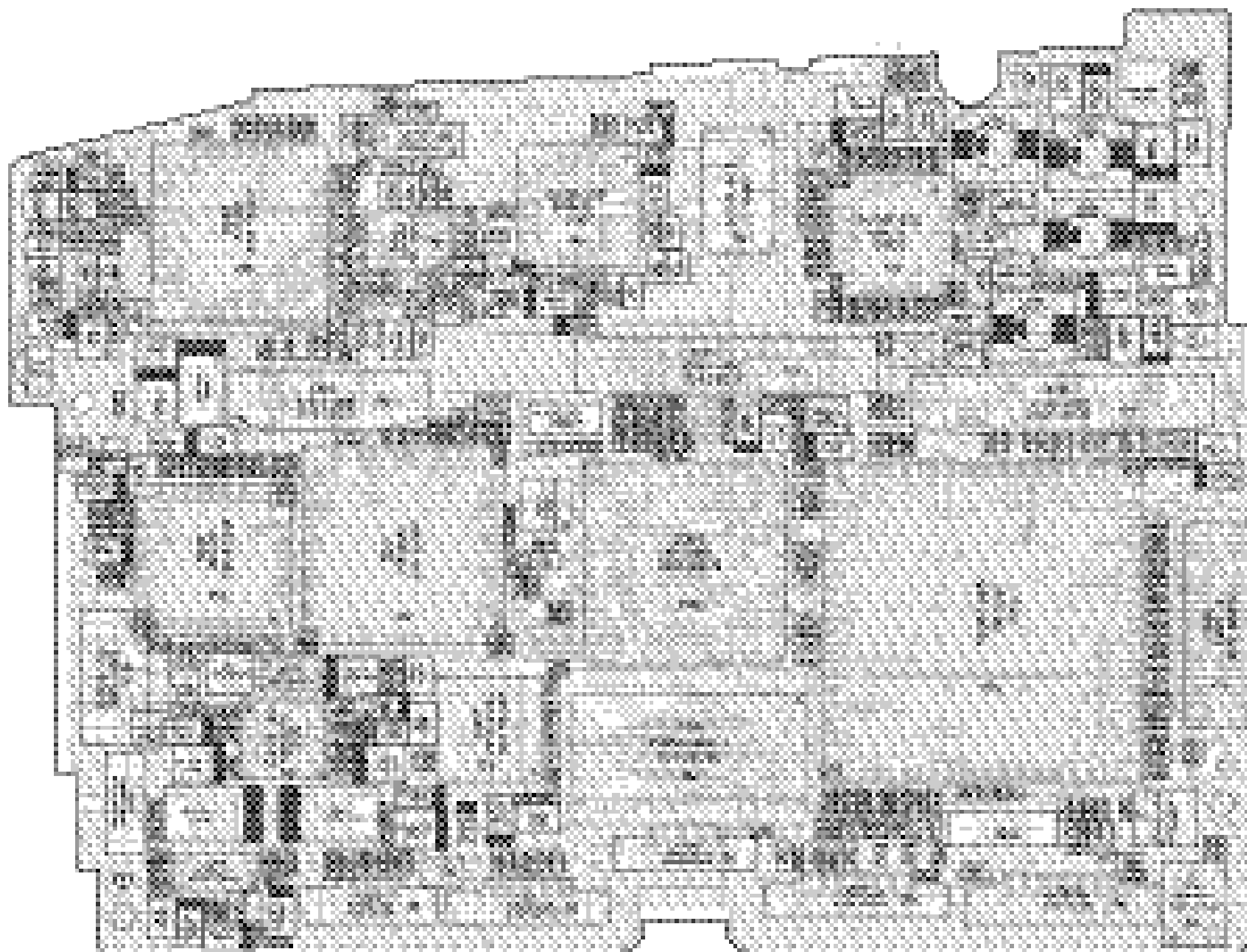


7-1 Main

---



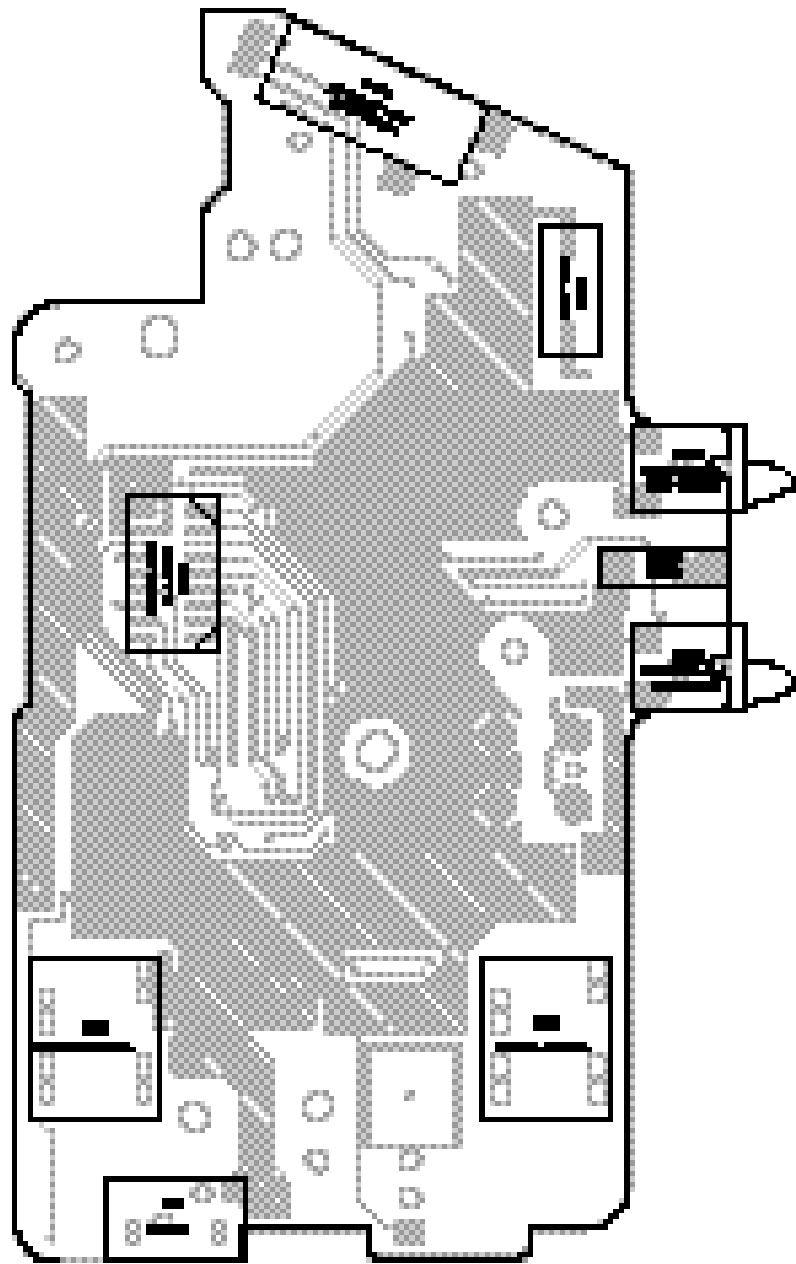
(Component Side)



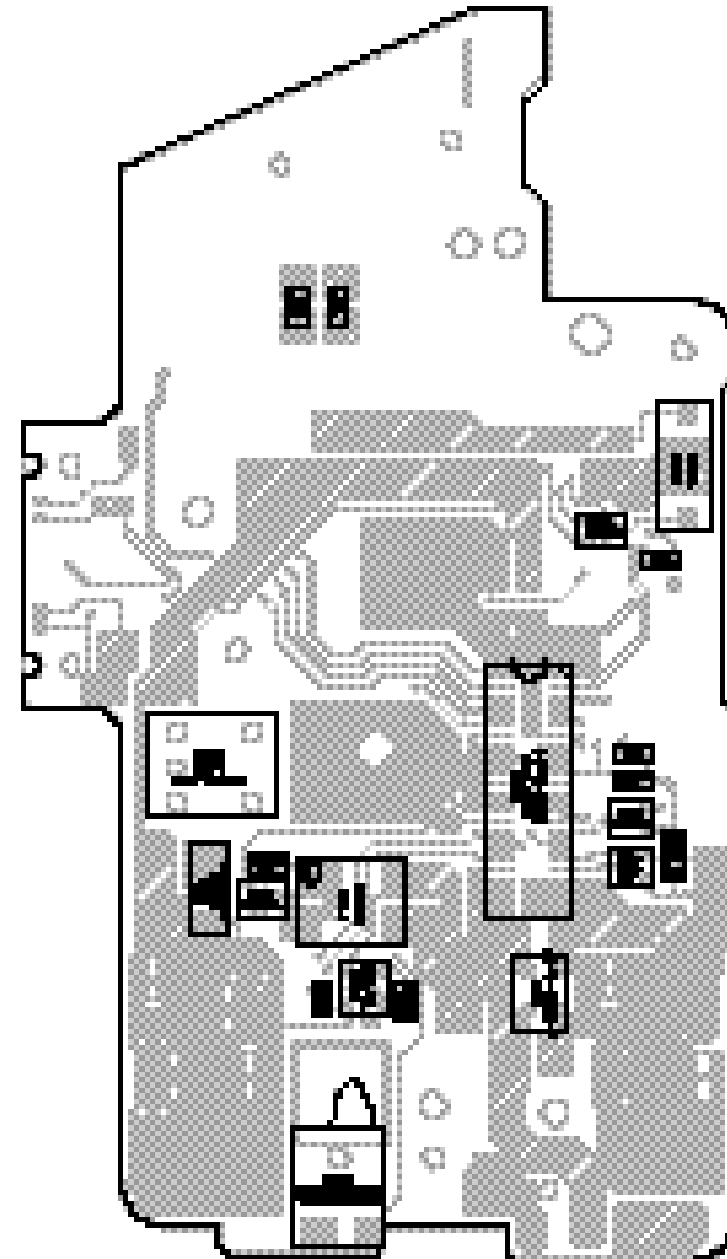
(Conductor Side)

7-2 Rear

---

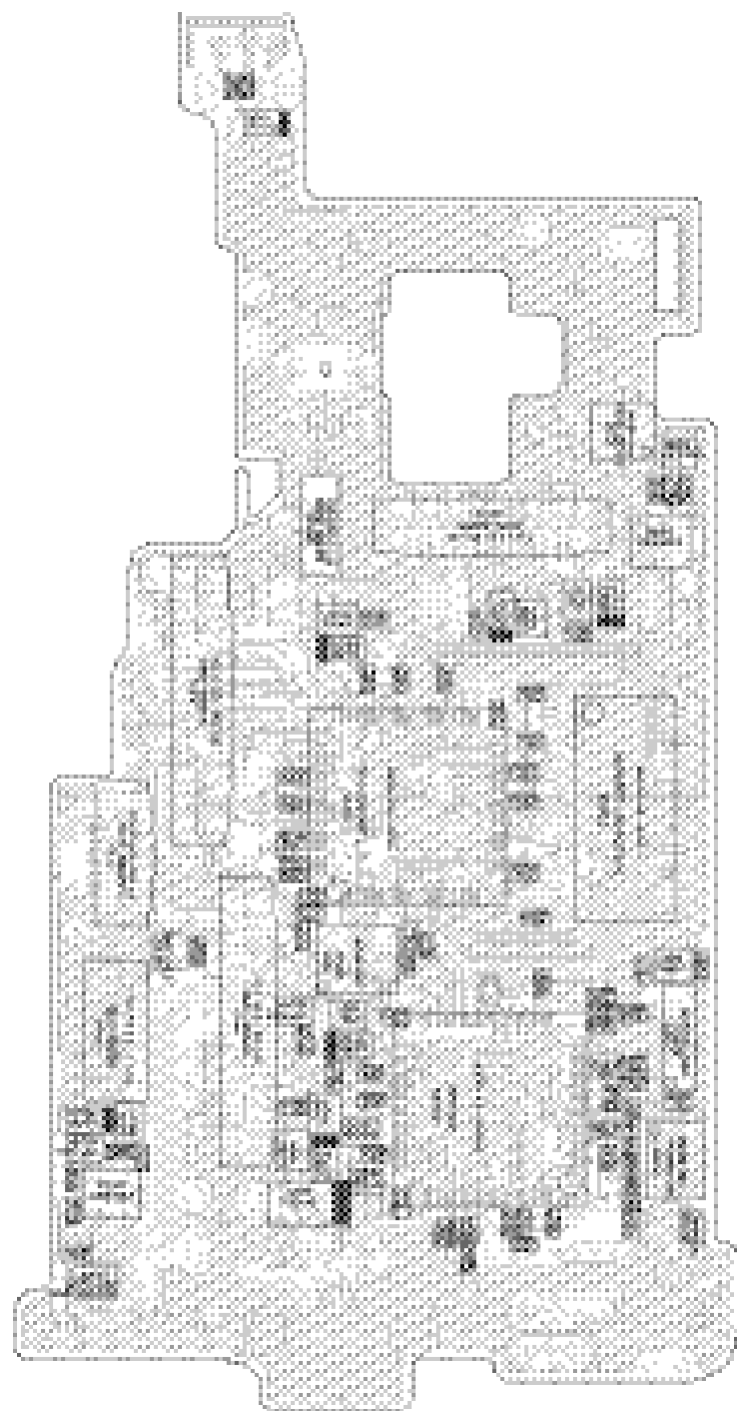


(Component Side)

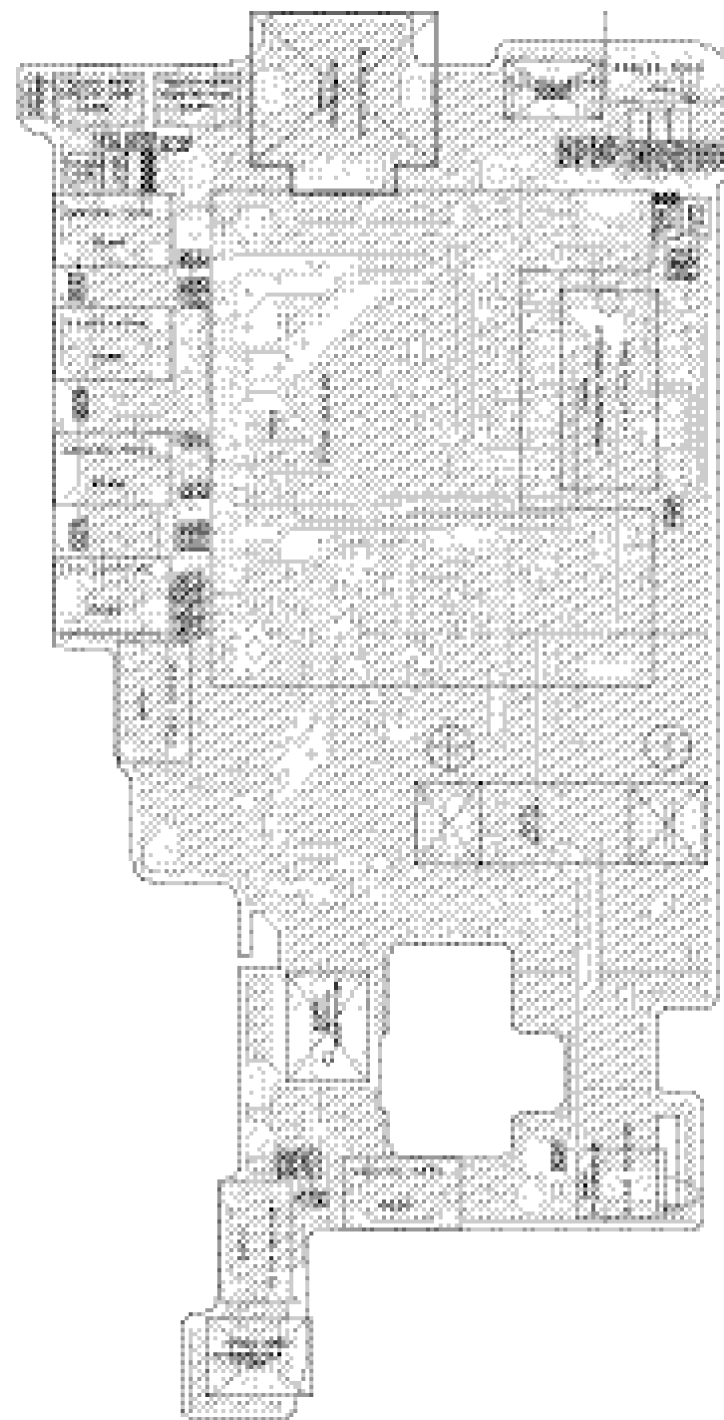


(Conductor Side)

## 7-3 Function

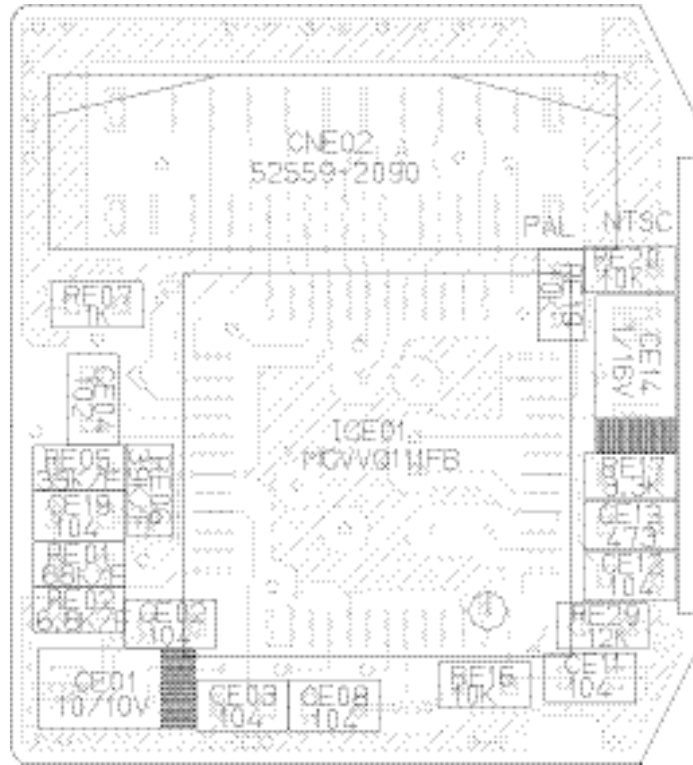


(Component Side)

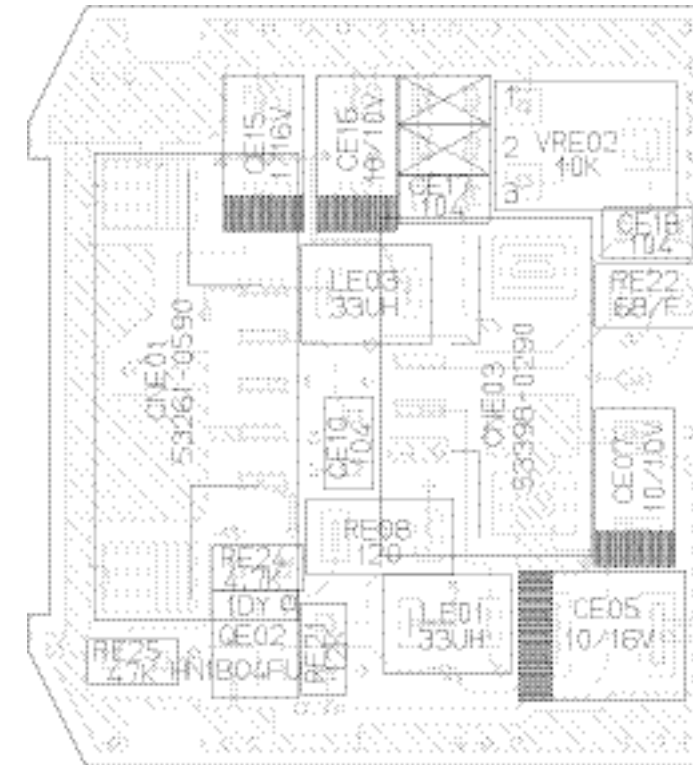


(Conductor Side)

7-4 EVF



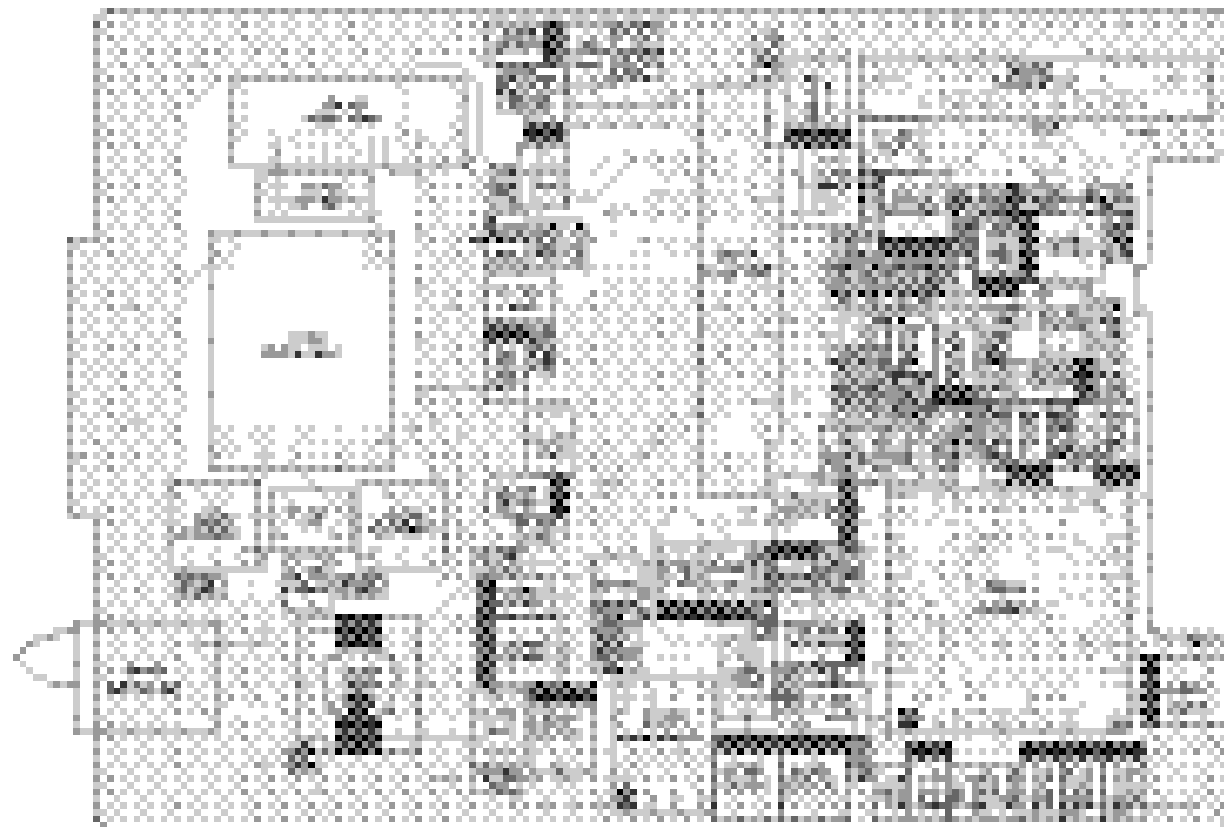
(Component Side)



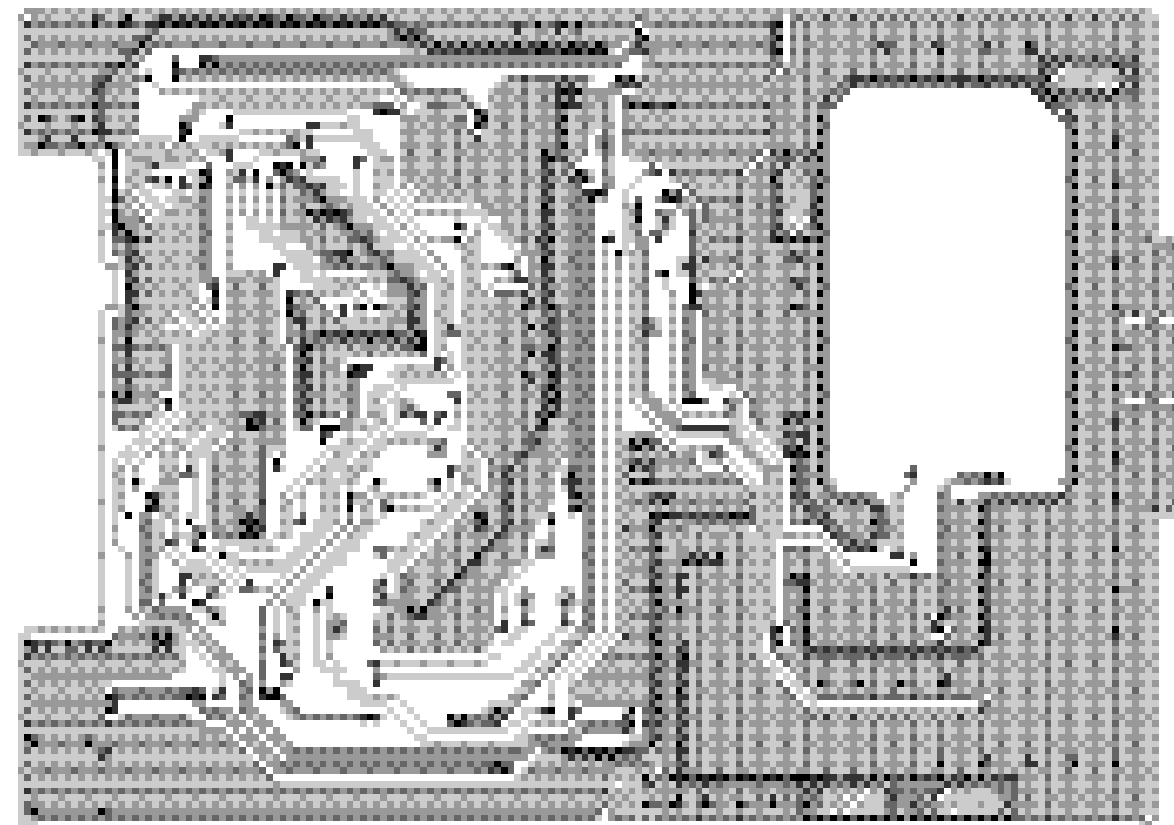
(Conductor Side)

7-5 LCD

---



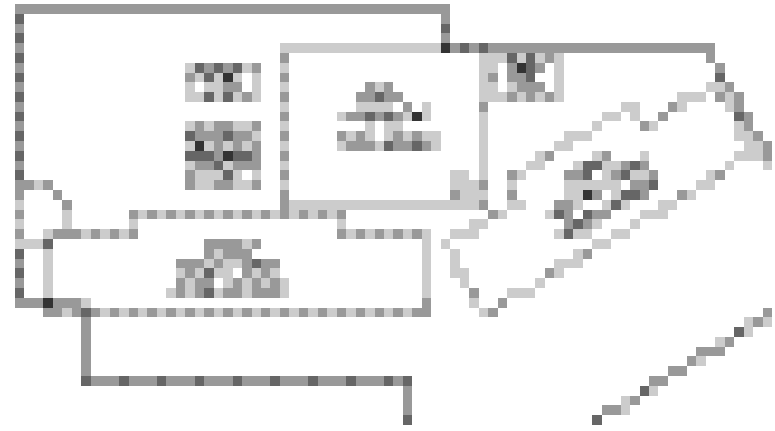
(Component Side)



(Conductor Side)

## 7-6 PRE AMP

---



(Component Side)

## 6. Wiring Diagram





## 8. Schematic Diagrams

	Page
8-1 EVF .....	8-2
8-2 Audio .....	8-3
8-3 Camera .....	8-4
8-4 Camera A/F .....	8-5
8-5 CCD .....	8-6
8-6 Channel .....	8-7
8-7 Codec .....	8-8
8-8 Rrear .....	8-9
8-9 DC DC .....	8-10
8-10 Function .....	8-11
8-11 IEEE 1394 .....	8-12
8-12 Main-Micom .....	8-13
8-13 Prml .....	8-14
8-14 Servo .....	8-15
8-15 Timer-Micom .....	8-16
8-16 Video .....	8-17
8-17 LCD .....	8-18
8-18 Pre Amp .....	8-19

### Note

For schematic Diagram  
- Resistors are in ohms, 1/8W unless otherwise noted.  
- Circled numbers refer to waveforms.


#### Special note :

Most semiconductor devices are electrostatically sensitive and therefore require the special handling techniques described under the "electrostatically sensitive (ES) devices" section of this service manual.

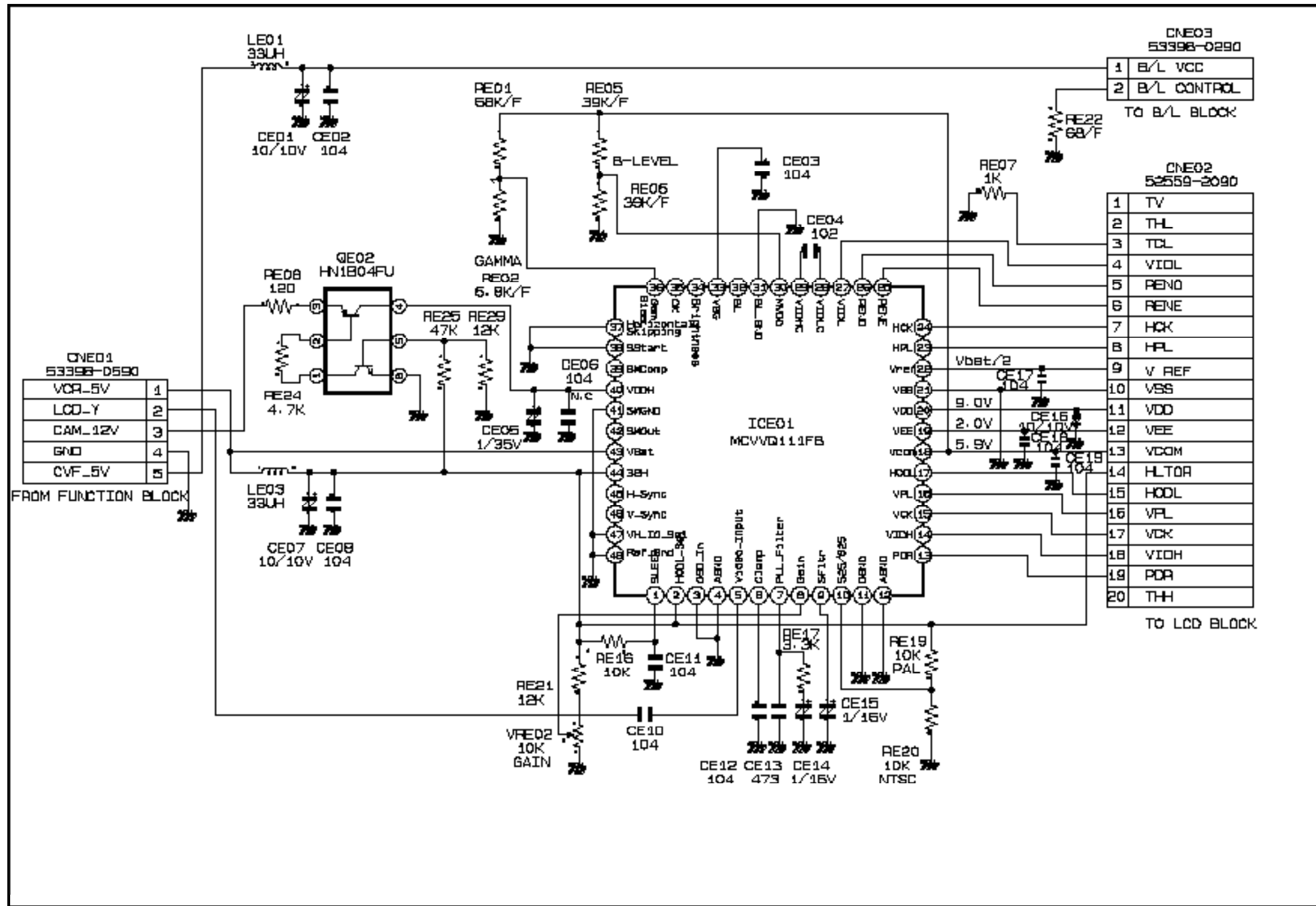
#### Note :

Do not use the part number shown on this drawing for ordering. The correct part number is shown in the parts list (may be slightly different or amended since this drawing was prepared).

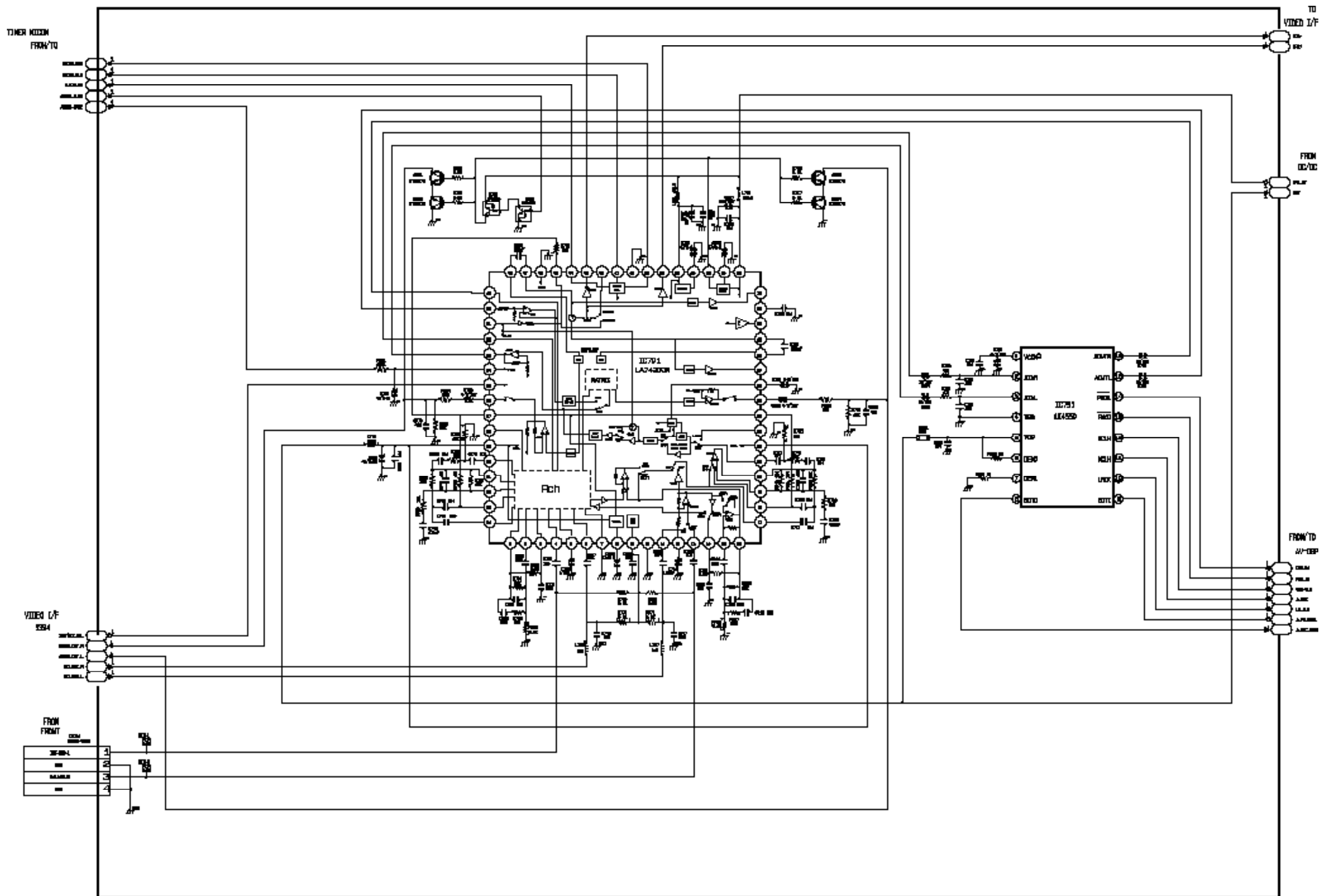
#### Important safety notices :

Components identified with the mark  have the special characteristics for safety. When replacing any of these components. Use only the same type.

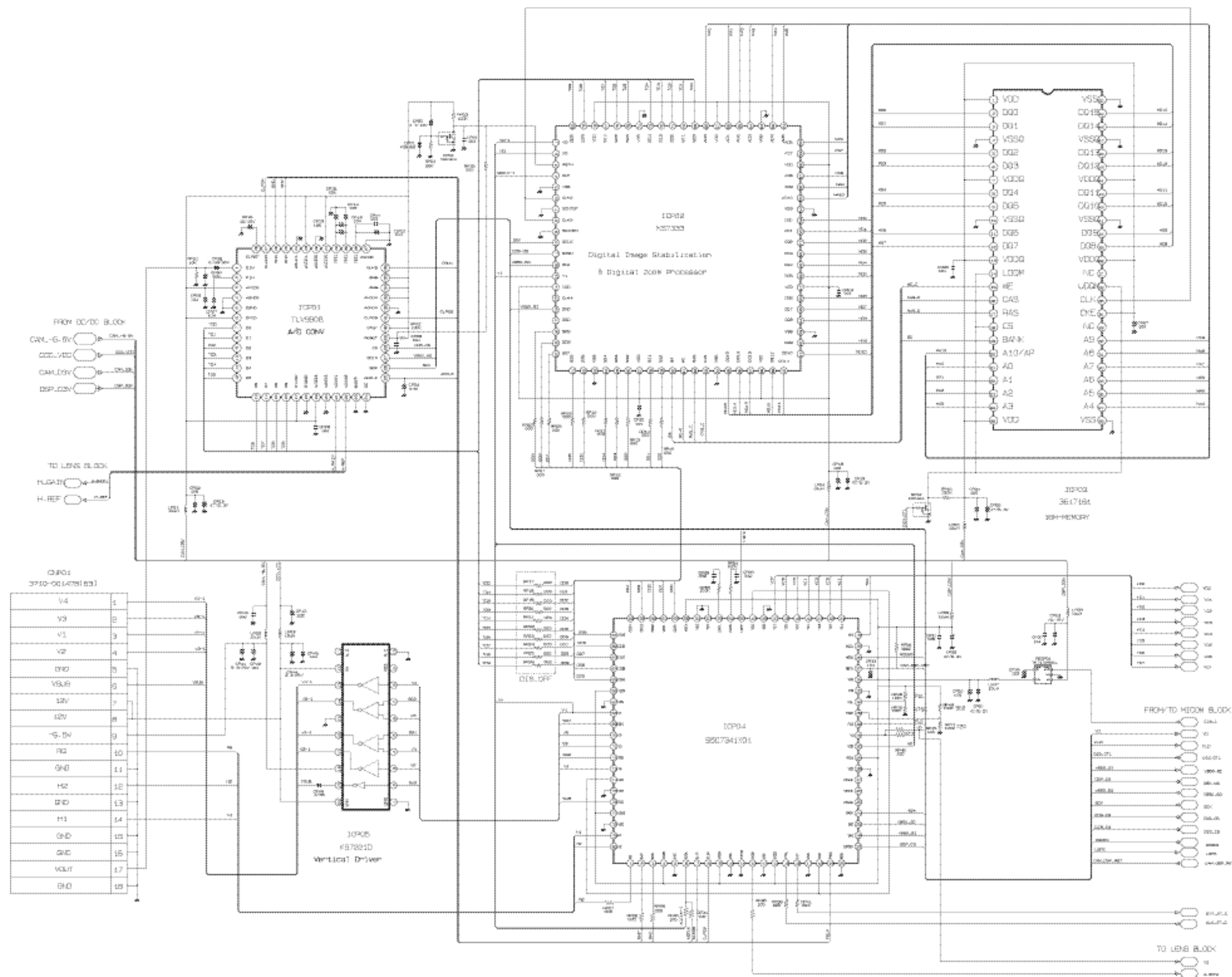
8-1 EVF



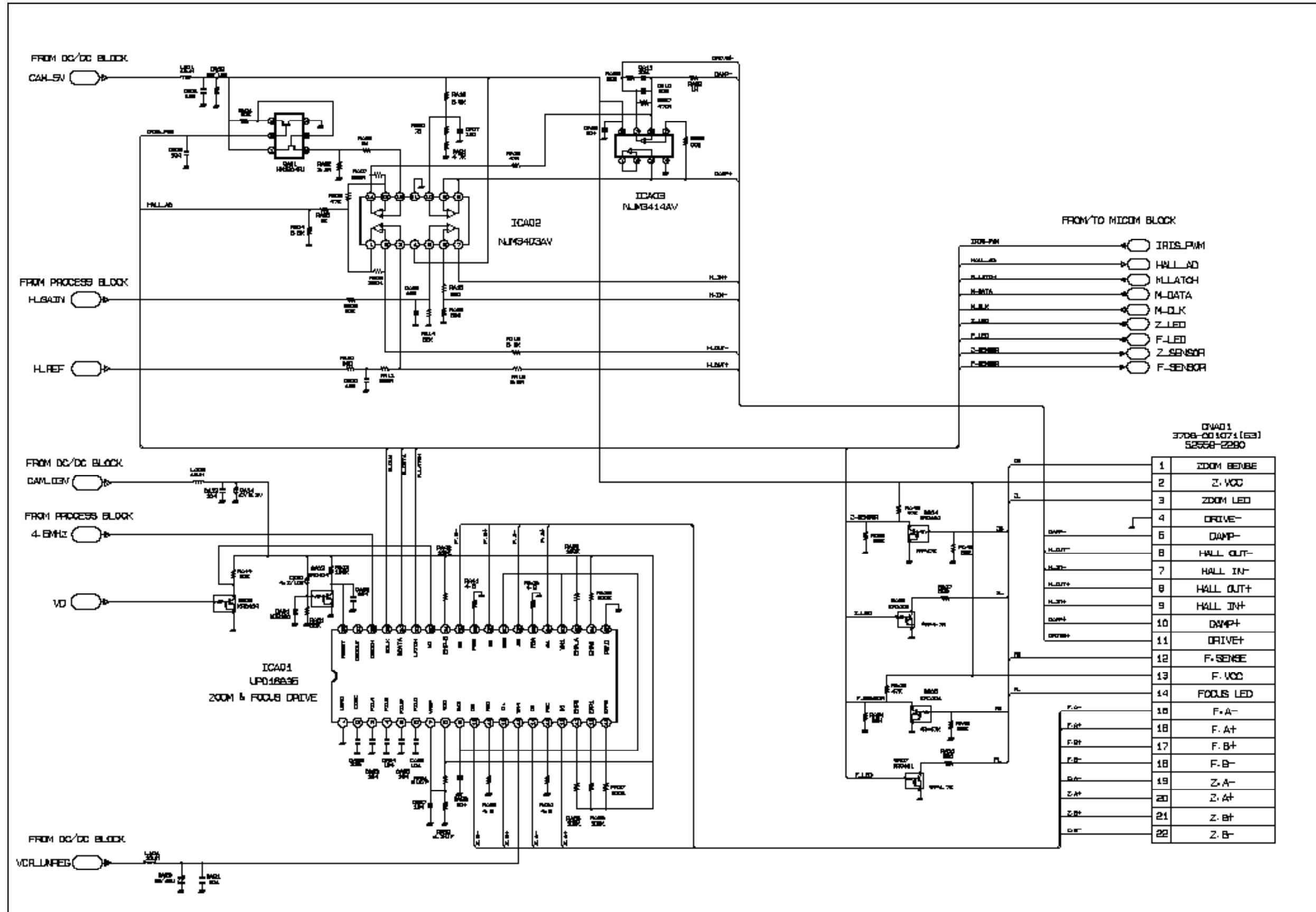
### 8-2 Audio



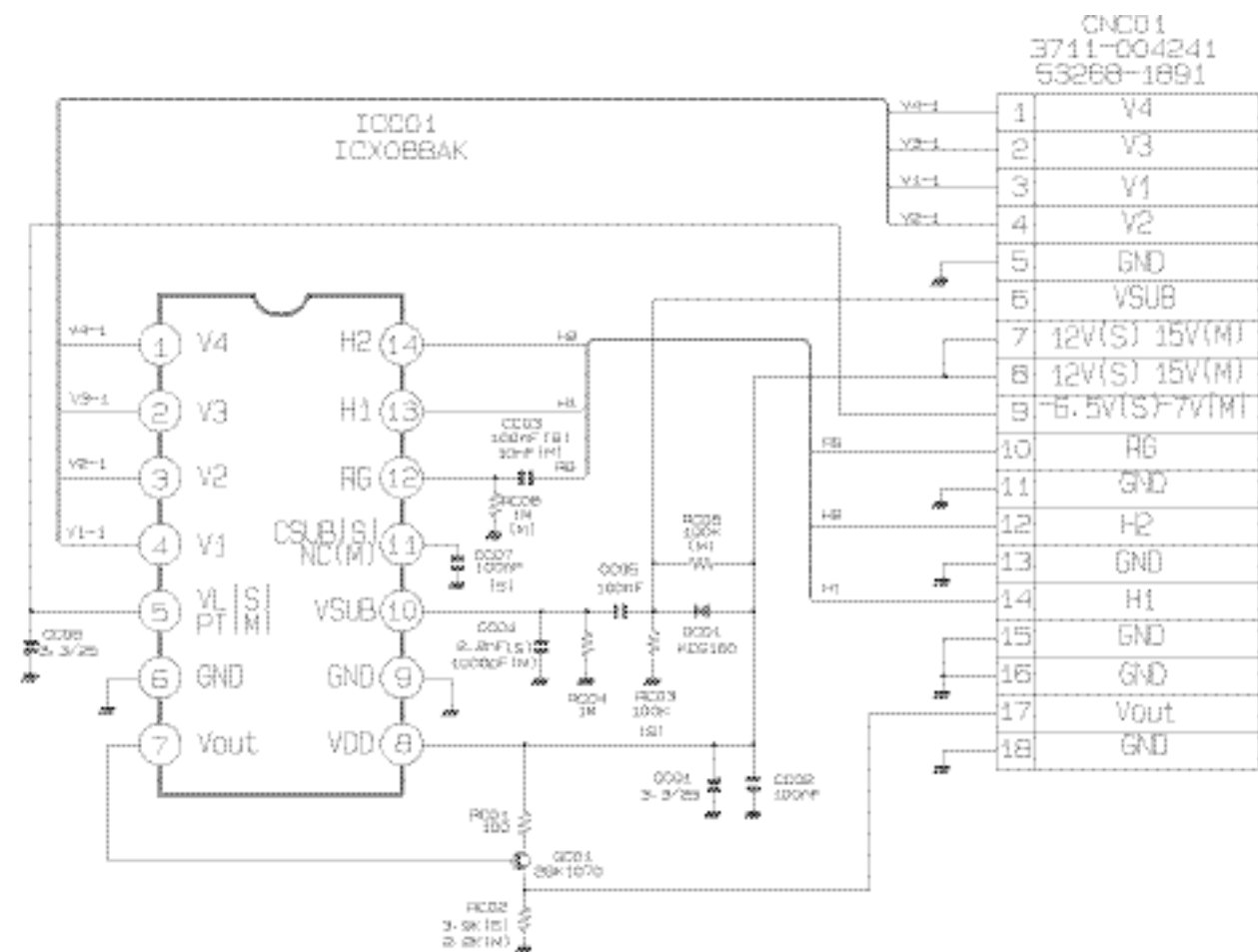
8-3 Camera



8-4 Camera A/F



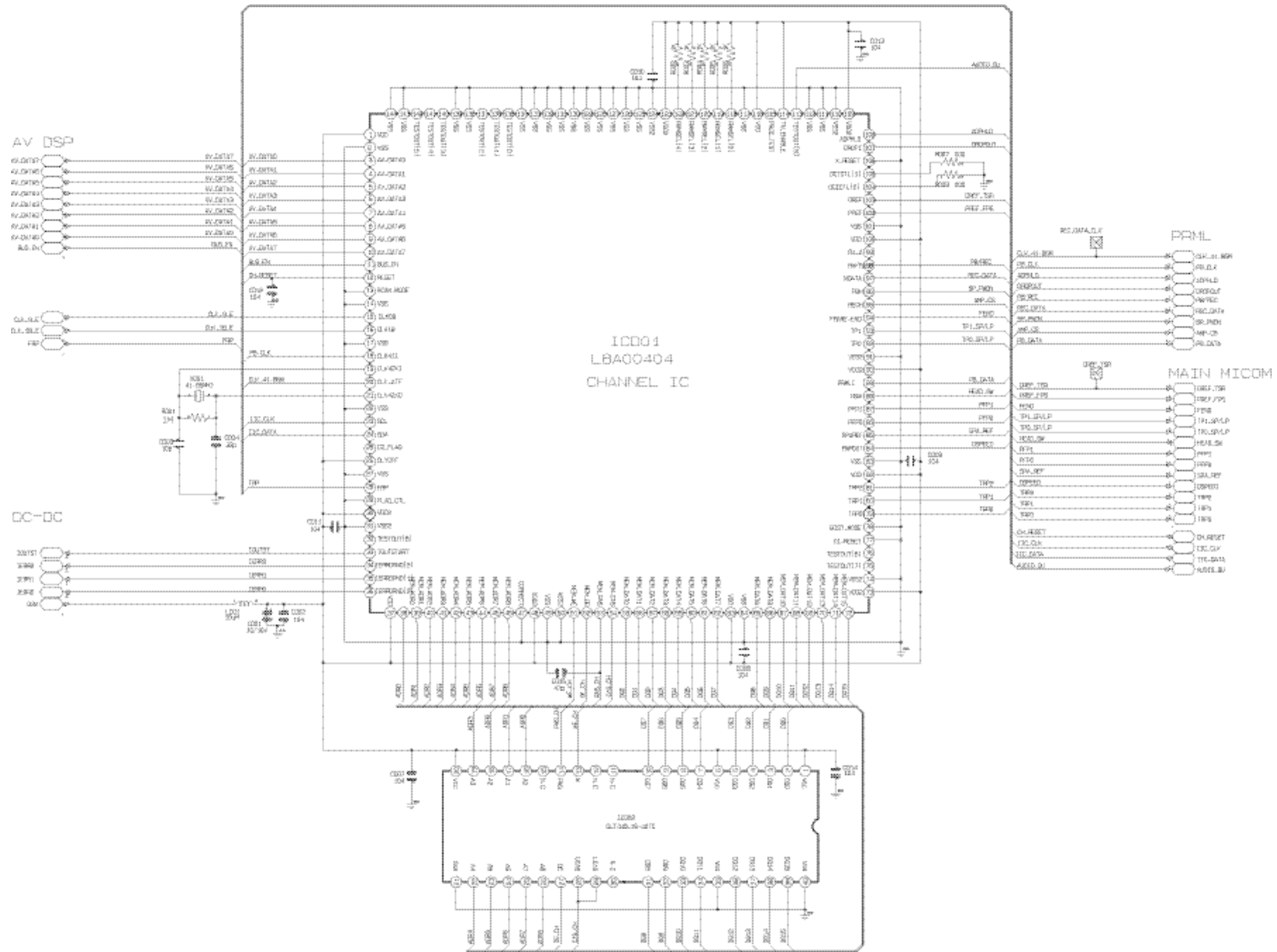
8-5 CCD



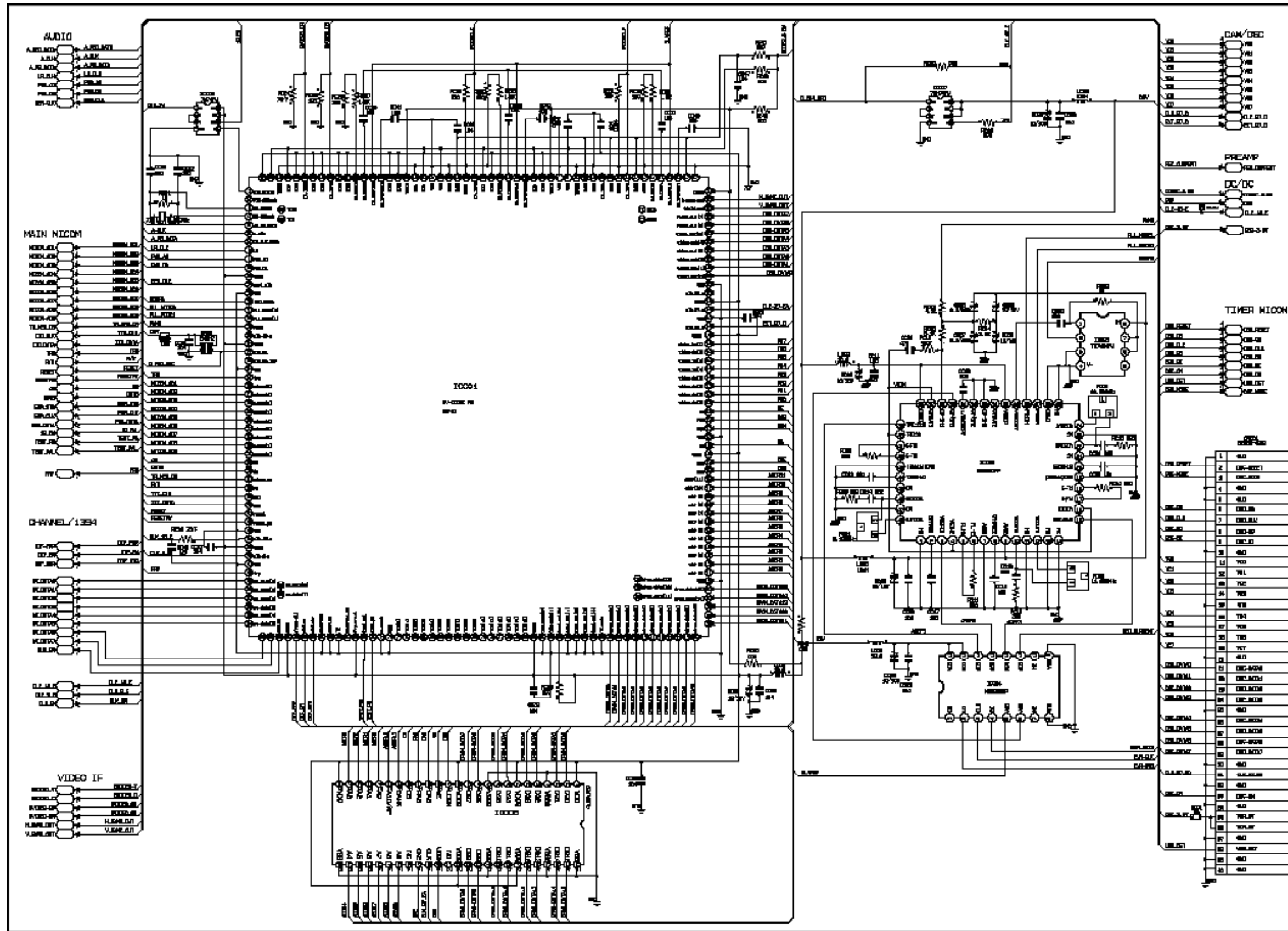
[ICX088AK] (M39230FH)		
CAPACITY	SONY	MATHUSHIDA
RC02	3.9K	2.2K
CC03	100nF	10nF
CC04	2.2nF	1000pF

SMT			
	SONY	MATHUSHIDA	
RC03	0	X	100K
RC05	X	0	(100K)
RC06	X	0	1M
CC07	0	X	(100nF)

8-6 Channel

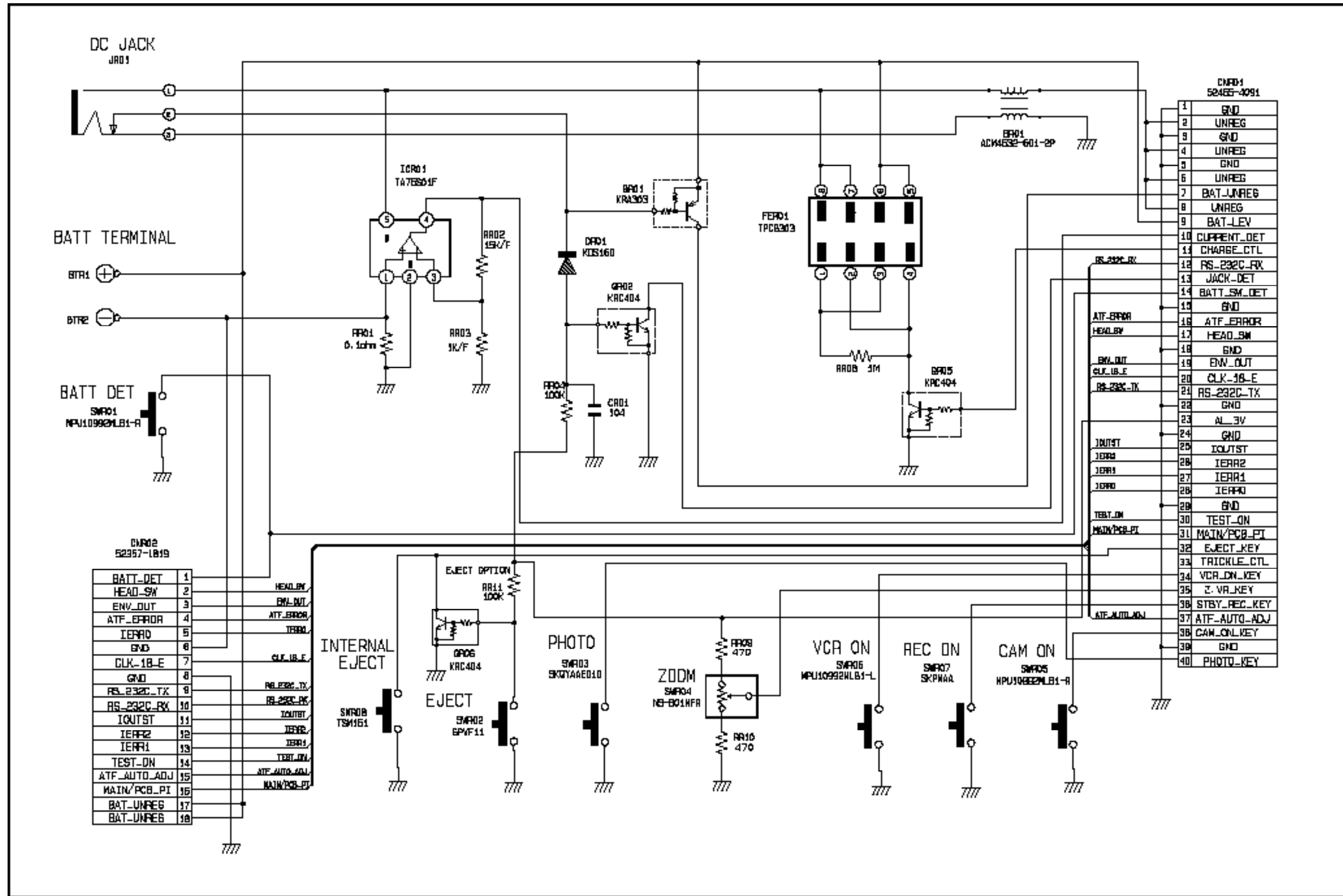


### 8-7 Codec

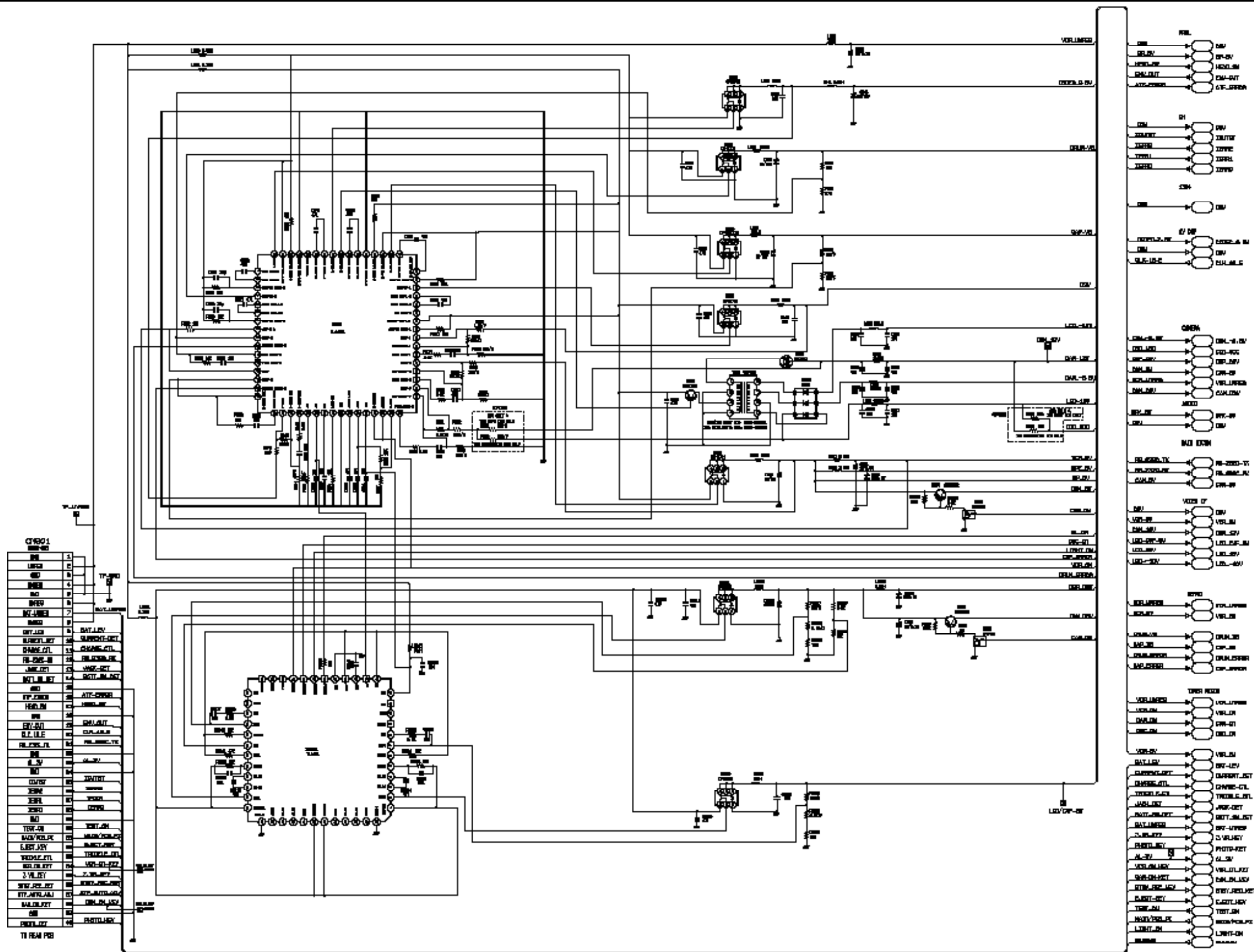




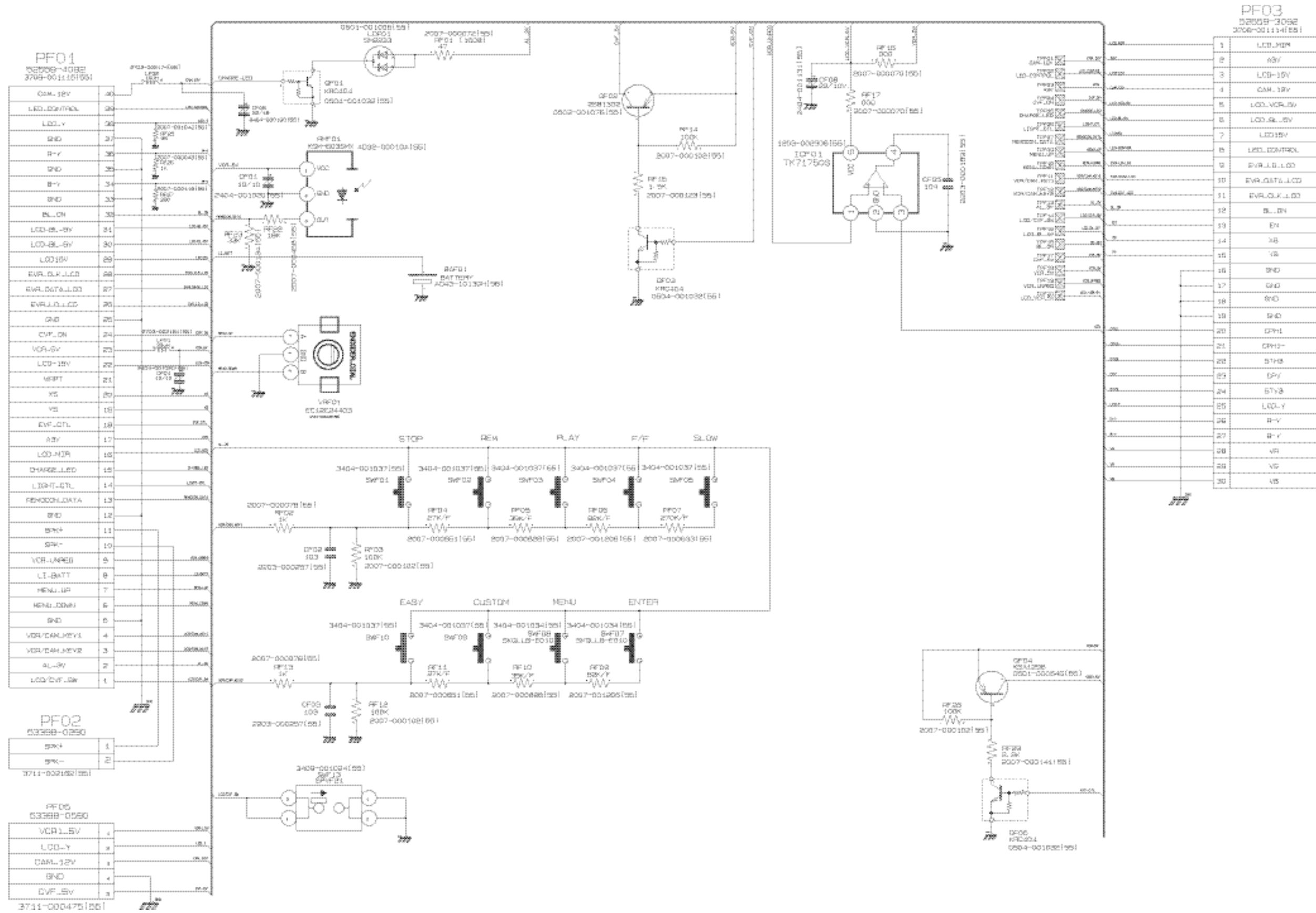
8-8 Rear



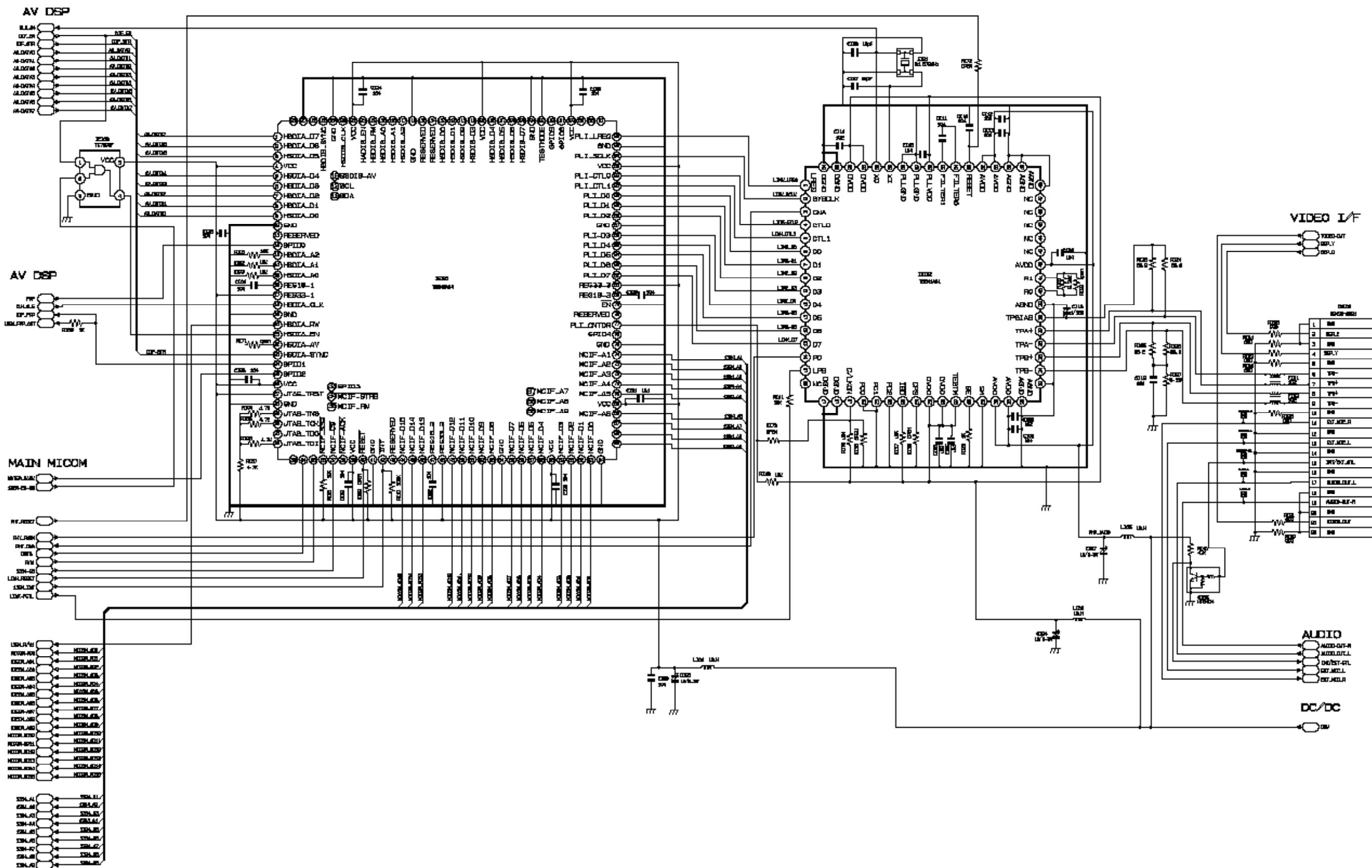
8-9 DC DC



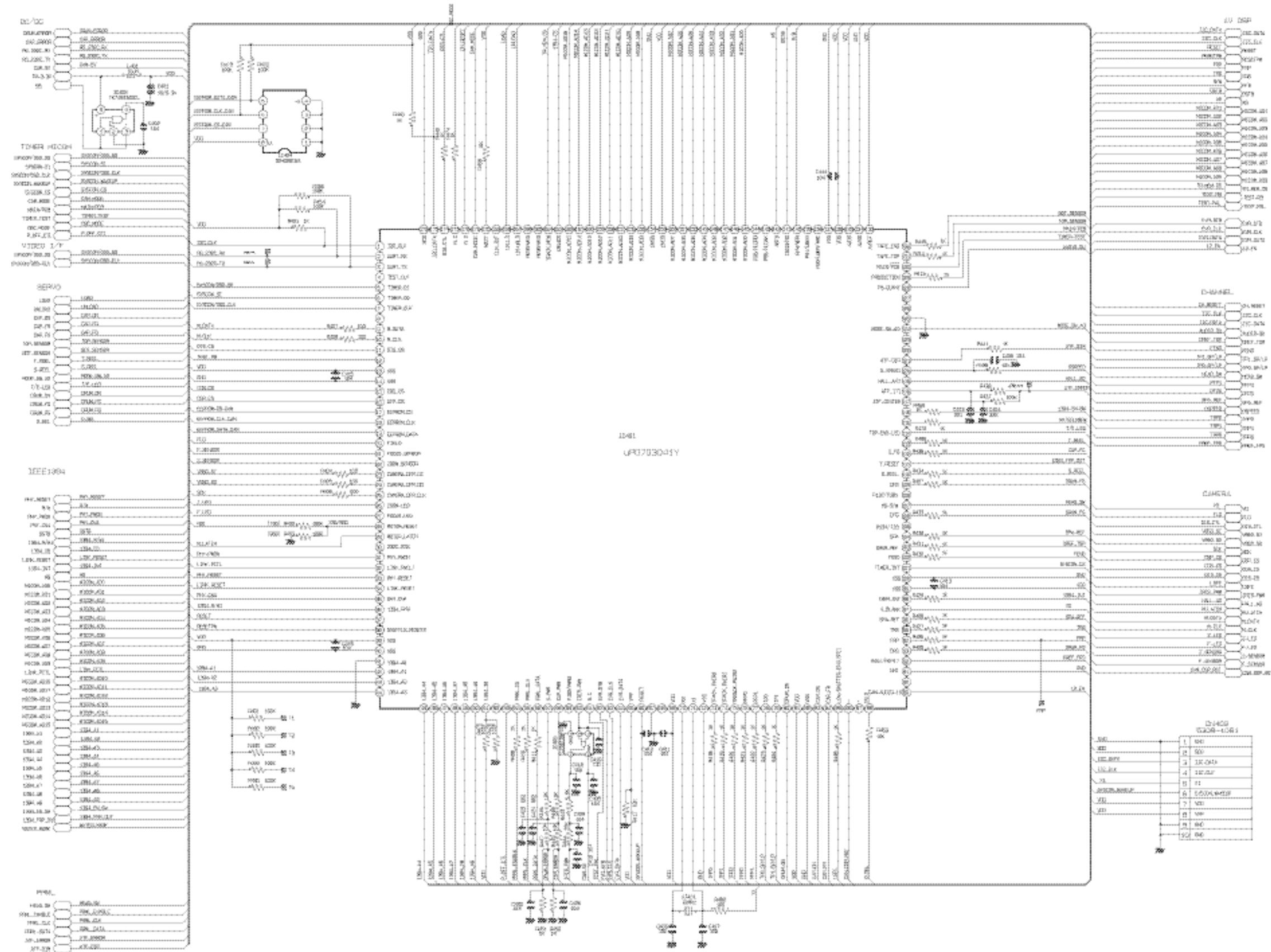
8-10 Function



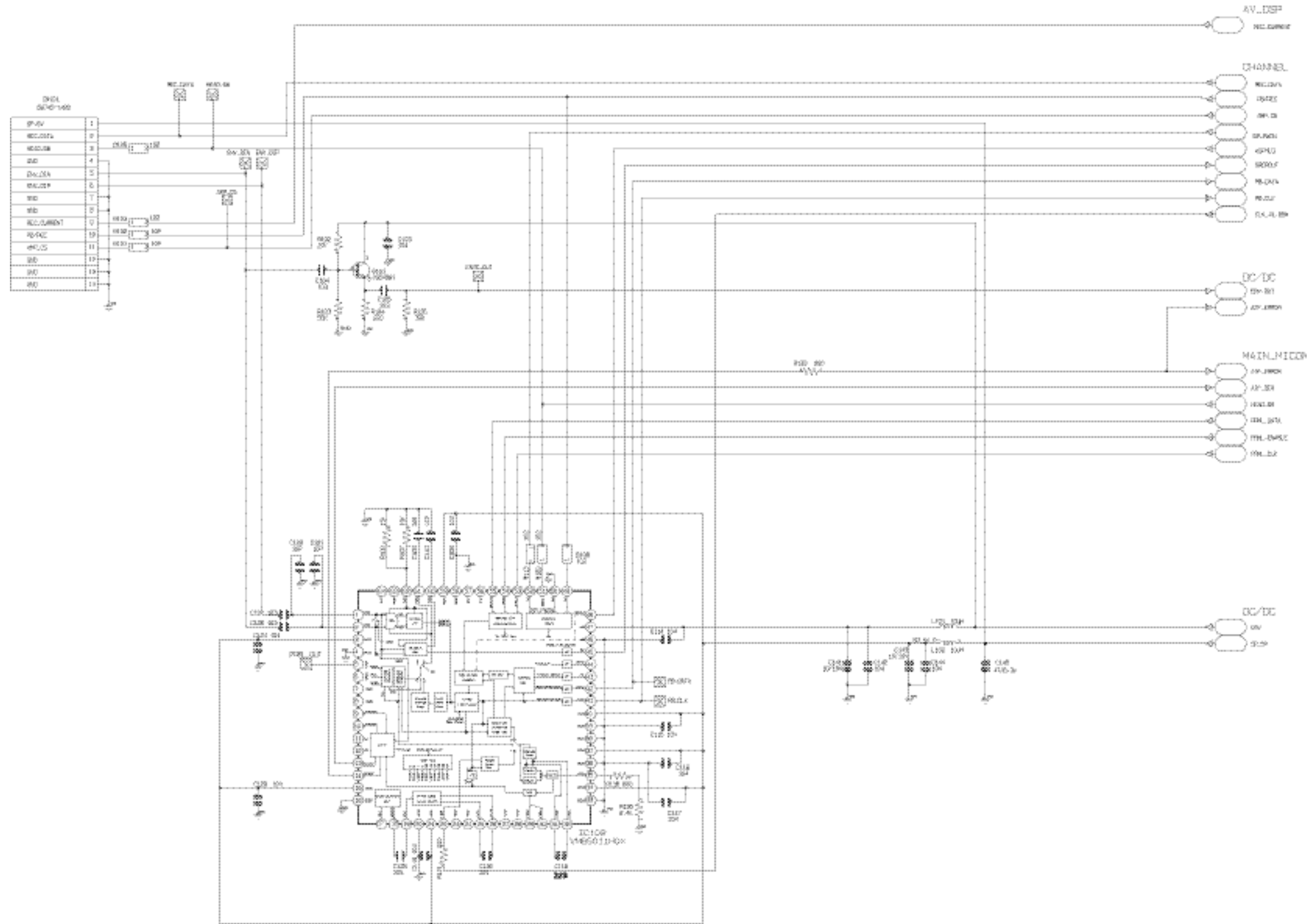
8-11 IEEE 1394



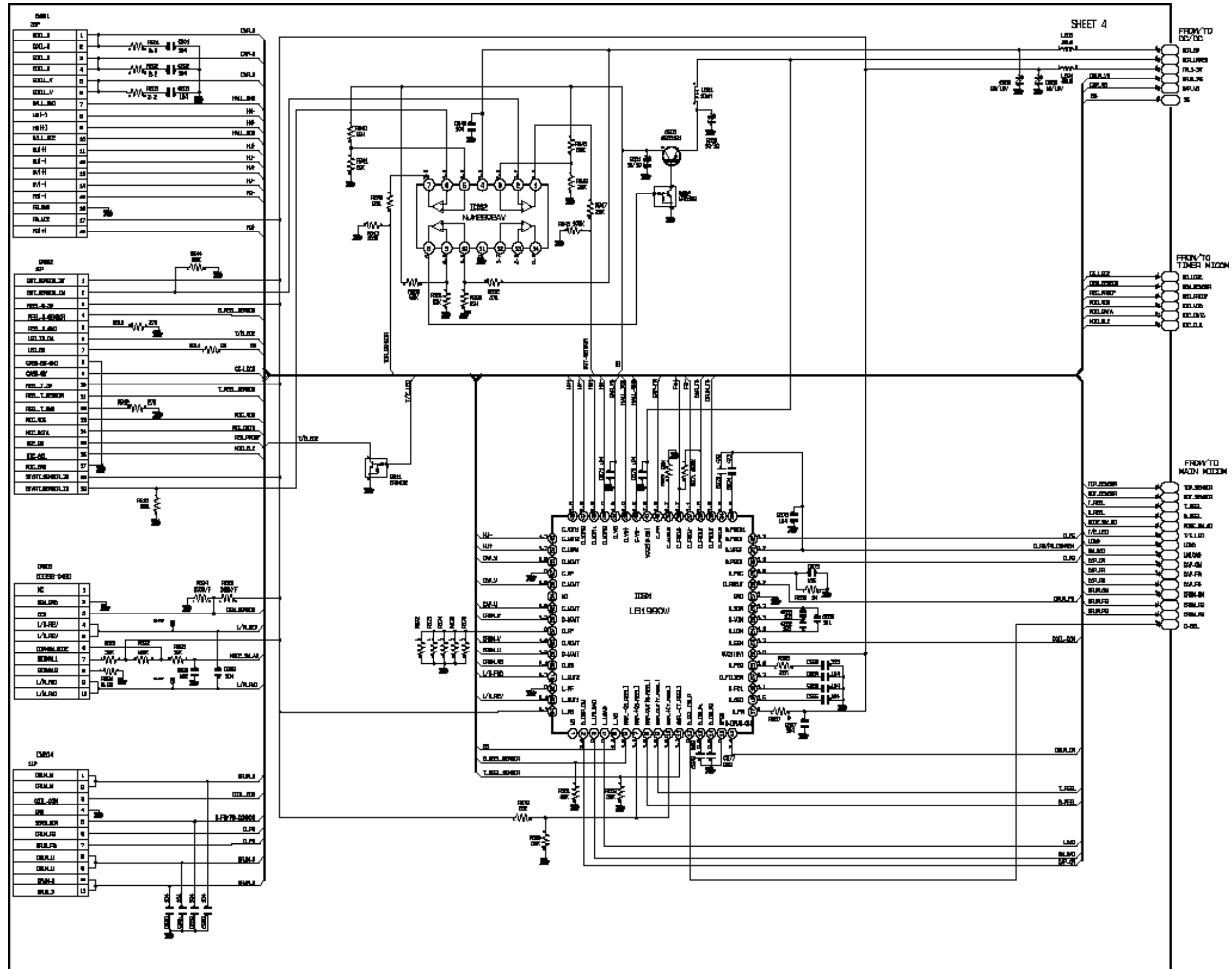
8-12 Main\_Micom



8-13 Prml



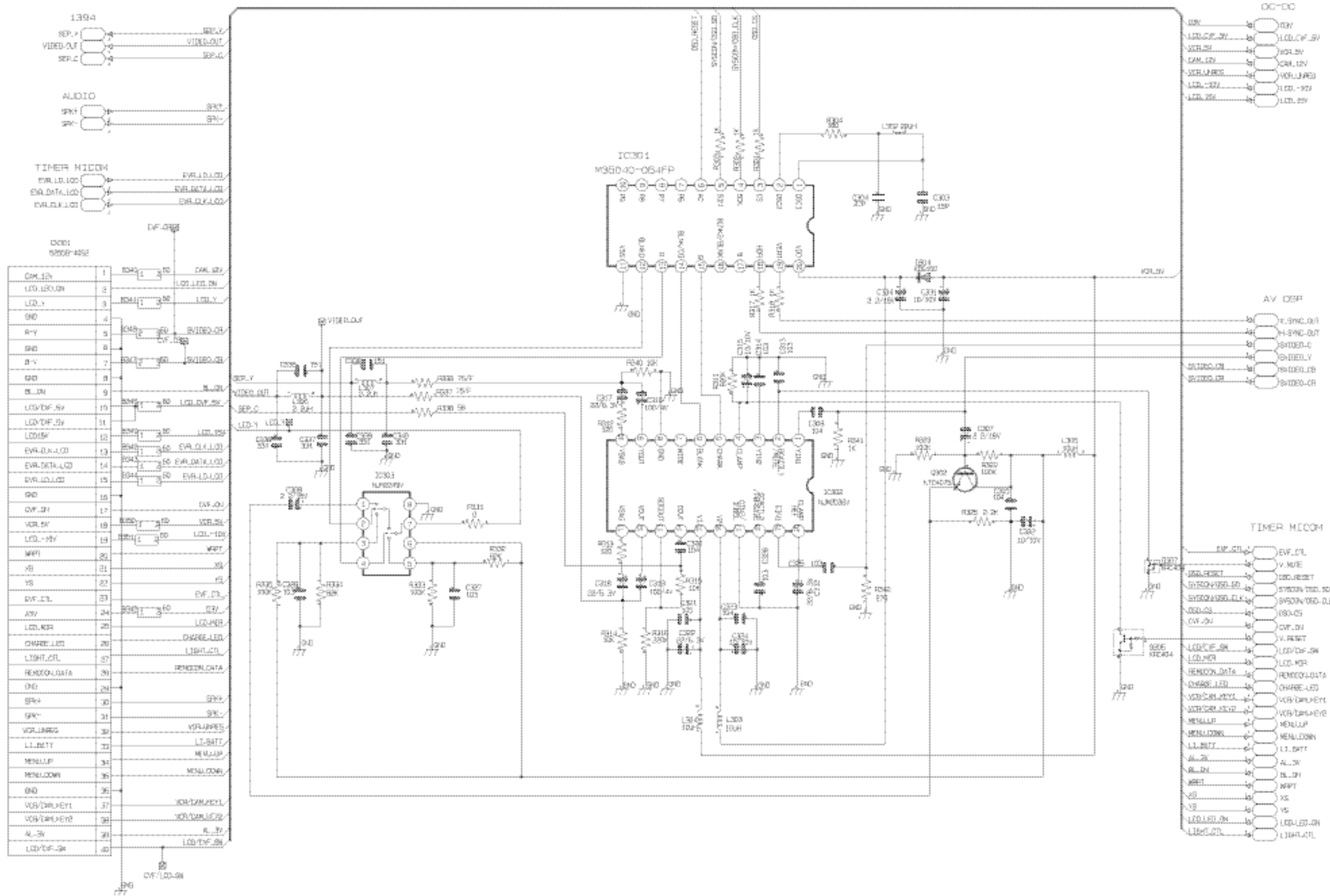
8-14 Servo



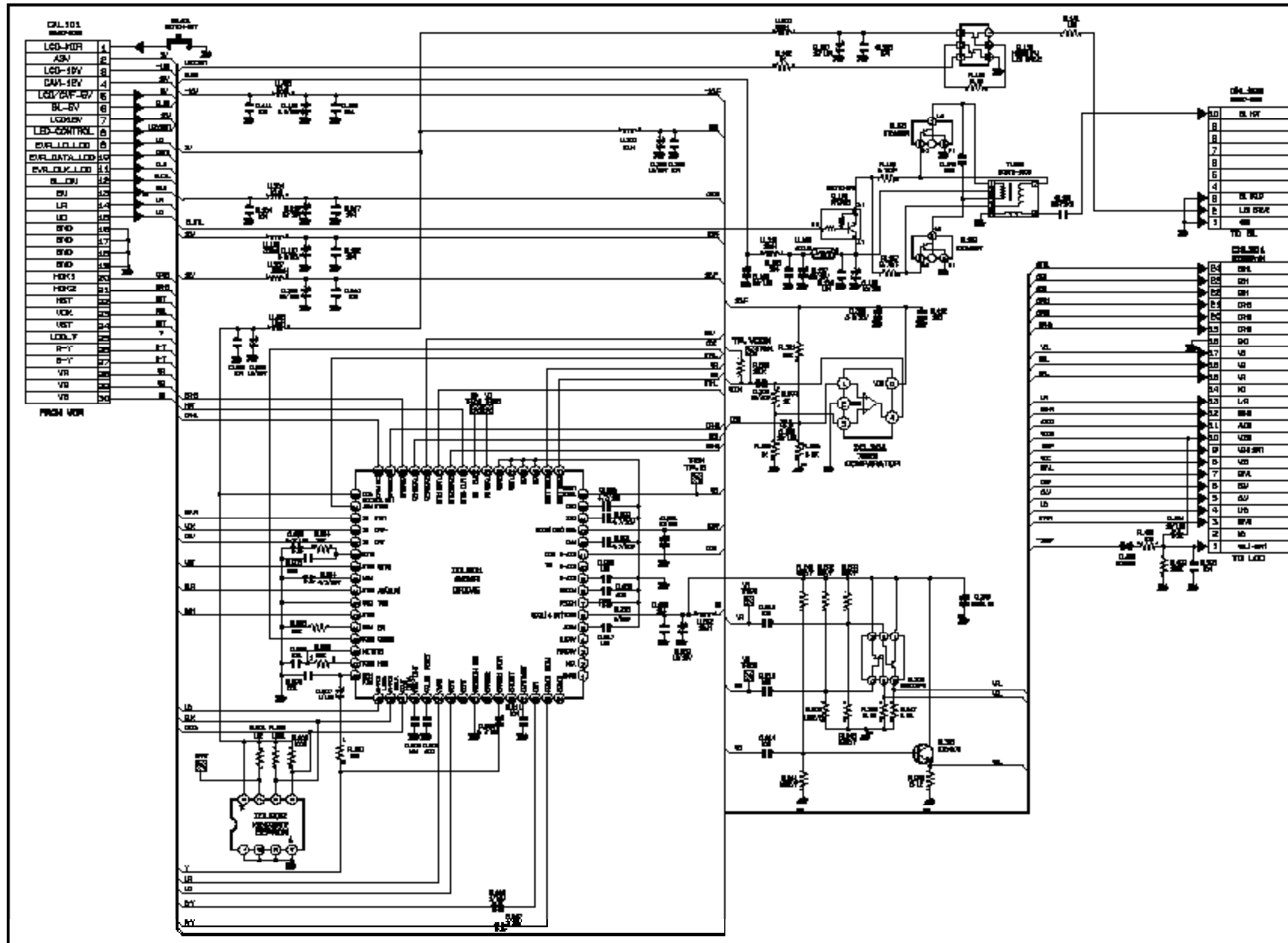




8-16 Video



8-17 LCD



8-18 Pre Amp

