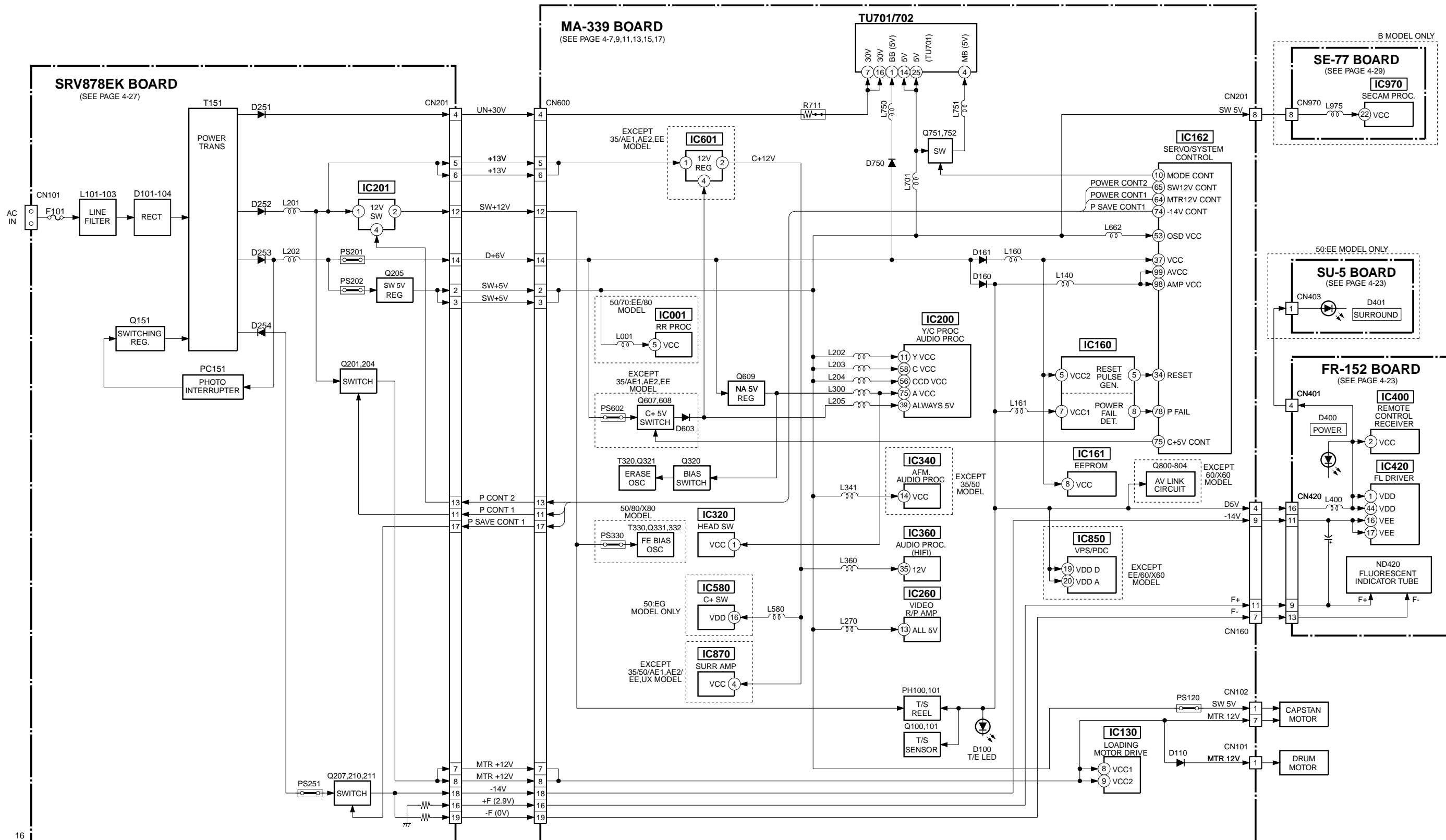


3-5. POWER BLOCK DIAGRAM

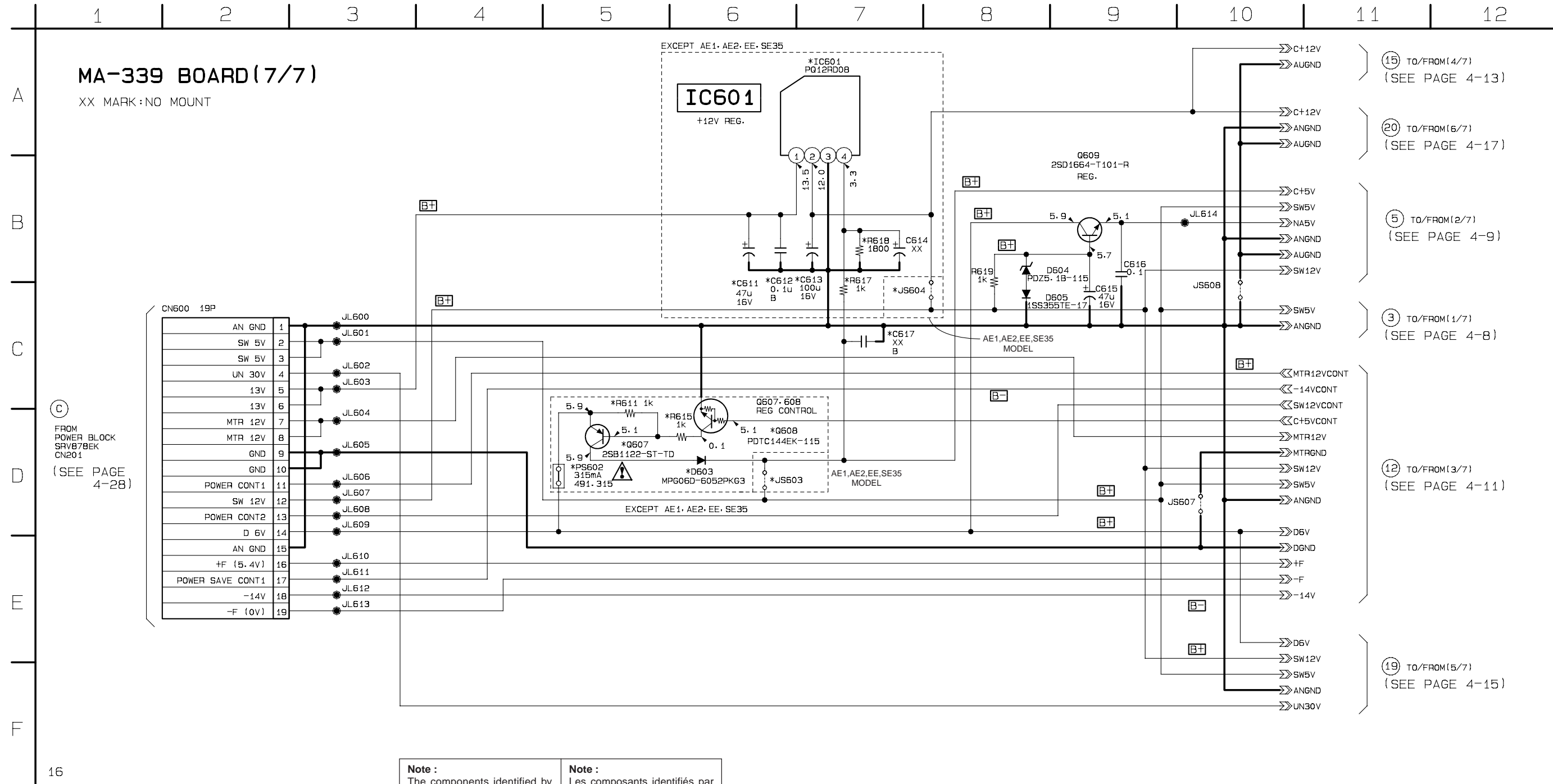


MA-339 (7/7) (POWER SUPPLY) SCHEMATIC DIAGRAM

— Ref. No. MA-339 Board:1,000 Series —

For schematic diagram

• Refer to page 4-5 for printed wiring board.



FROM POWER BLOCK SRV87BEK CN201 (SEE PAGE 4-28)

15 TO/FROM(4/7) (SEE PAGE 4-13)

20 TO/FROM(6/7) (SEE PAGE 4-17)

5 TO/FROM(2/7) (SEE PAGE 4-9)

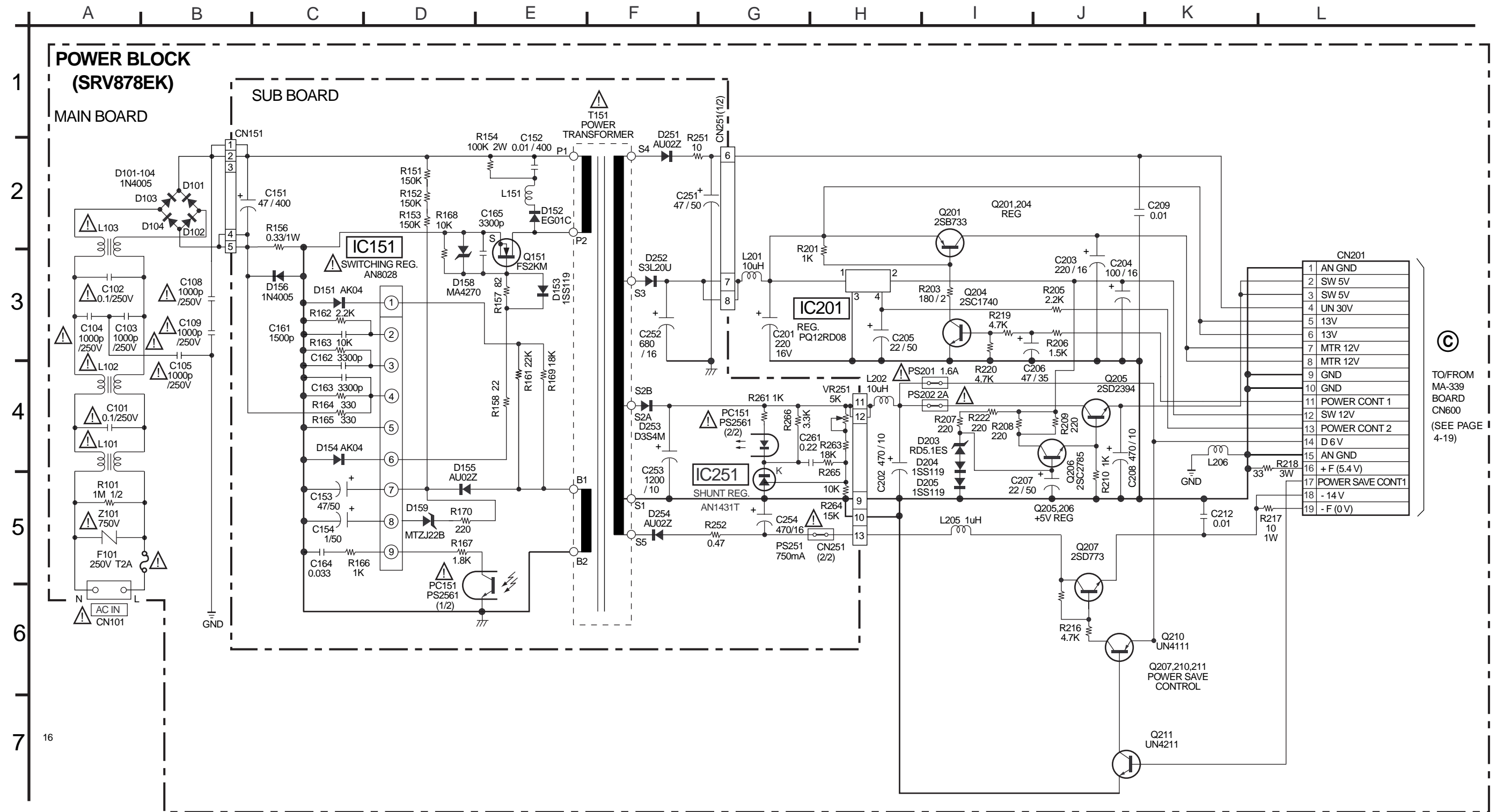
3 TO/FROM(1/7) (SEE PAGE 4-8)

12 TO/FROM(3/7) (SEE PAGE 4-11)

19 TO/FROM(5/7) (SEE PAGE 4-15)

**POWER BLOCK SRV878EK (SWITCHING REGURATOR) SCHEMATIC DIAGRAM**

— Ref. No. SRV878 Board:9,000 Series —



**Note :**  
The components identified by mark  $\Delta$  or dotted line with mark  $\Delta$  are critical for safety. Replace only with part number specified.

**Note :**  
Les composants identifiés par une marque  $\Delta$  sont critiques pour la sécurité. Ne les remplacer que par une pièce portant le numéro spécifié.

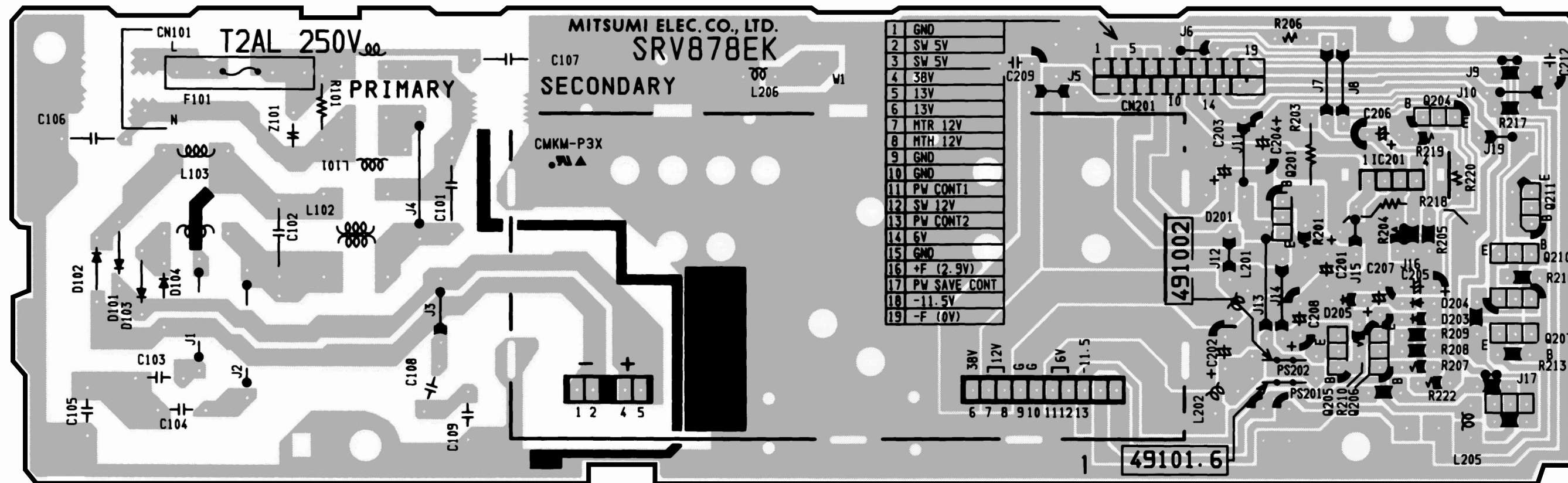
TO/FROM  
MA-339  
BOARD  
CN600  
(SEE PAGE  
4-19)

POWER BLOCK SRV878EK (SWITCHING REGULATOR) PRINTED WIRING BOARD

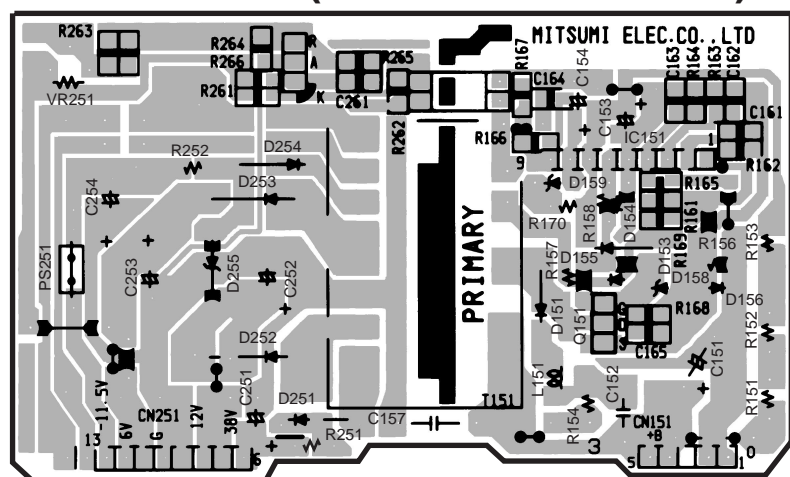
— Ref. No. SRV878 Board:9,000 Series —

There are few cases that the part printed on this diagram isn't mounted in this model.

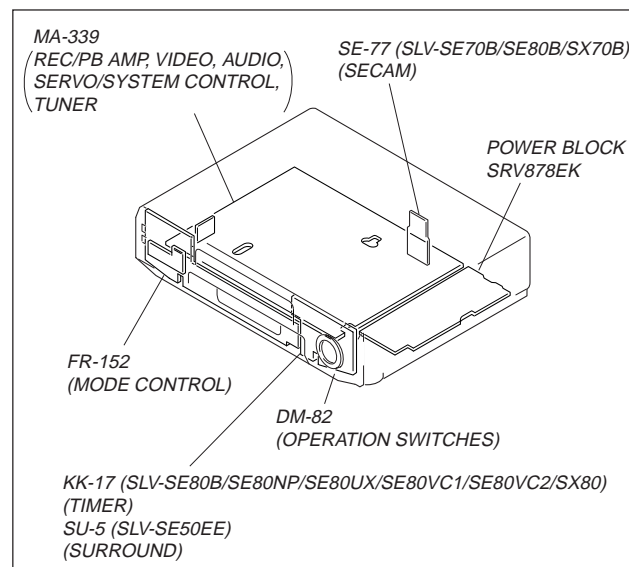
POWER BLOCK SR878EK  
MAIN BOARD (CONDUCTOR SIDE)



SUB BOARD (CONDUCTOR SIDE)



16



4-26

4-25



Ref. No.	Part No.	Description	Remarks
R881	1-216-081-00	METAL CHIP 22K 5%	1/10W (50:EE)
R882	1-216-081-00	METAL CHIP 22K 5%	1/10W (50:EE)
R883	1-216-089-91	RES,CHIP 47K 5%	1/10W (50:EE)
R884	1-216-073-00	METAL CHIP 10K 5%	1/10W (50:EE)
R885	1-216-033-00	METAL CHIP 220 5%	1/10W (50:EE)
R886	1-216-089-91	RES,CHIP 47K 5%	1/10W (50:EE)
R887	1-216-081-00	METAL CHIP 22K 5%	1/10W (50:EE)
R888	1-216-097-91	RES,CHIP 100K 5%	1/10W (50:EE)
< SWITCH >			
S100	1-771-155-11	SWITCH, ROTARY (MODE SWITCH)	
S101	1-762-108-11	SWITCH, PUSH (1 KEY) (REC PROOF)	
S160	1-571-588-31	SWITCH, SLIDE (NTSC PB)	
< TRANSFORMER >			
T320	1-431-100-11	TRANSFORMER, BIAS OSCILLATION (50,80,X80)	
T320	1-431-097-11	TRANSFORMER, BIAS OSCILLATION (35,60,70,X60,X70)	
T330	1-423-415-11	TRANSFORMER, BIAS OSCILLATION (50,80,X80)	
< TUNER >			
TU701	1-693-431-11	TUNER, IF (BTF-2MC421) (AERIAL IN/OUT) (35/50/70:EE)	
TU702	1-693-439-11	TUNER, IF (BTF-3WC429) (AERIAL IN/OUT) (AE1,AE2,VC,VC1,VC2/80,70:EG)	
TU702	1-693-437-11	TUNER, IF (BTF-3WU604) (AERIAL IN/OUT) (UX)	
TU702	1-693-438-11	TUNER, IF (BTF-3WC446) (AERIAL IN/OUT) (B)	
TU702	1-693-436-11	TUNER, IF (BTF-3WC428) (AERIAL IN/OUT) (EX,NP,NP1,NP2/80:EN/X70)	
< VIBRATOR >			
X160	1-579-463-11	VIBRATOR, CRYSTAL 32.768KHz	
X161	1-577-289-11	VIBRATOR, CRYSTAL 17.734475MHz	
X200	1-579-608-11	VIBRATOR, CRYSTAL 4.43MHz	
△	1-468-367-11	POWER BLOCK SRV878EK ***** (Ref.No.: 9,000 Series)	
< CAPACITOR >			
C151	9-980-236-01	ELECT 47uF	400V
C153	1-126-967-11	ELECT 47uF	50V
C154	1-126-960-11	ELECT 1uF	50V
C201	1-126-934-11	ELECT 220uF	16V
C202	1-126-925-11	ELECT 470uF	10V
C203	1-126-934-11	ELECT 220uF	16V
C204	1-126-933-11	ELECT 100uF	16V
C205	1-126-965-11	ELECT 22uF	50V
C206	1-126-947-11	ELECT 47uF	35V
C207	1-126-965-11	ELECT 22uF	50V

Ref. No.	Part No.	Description	Remarks
C208	1-126-925-11	ELECT 470uF	10V
C251	1-126-967-11	ELECT 47uF	50V
C254	1-126-935-11	ELECT 470uF	16V
< DIODE >			
D101	9-880-927-01	DIODE 1N4005	
D102	9-880-927-01	DIODE 1N4005	
D103	9-880-927-01	DIODE 1N4005	
D104	9-880-927-01	DIODE 1N4005	
D151	8-719-043-74	DIODE AK04	
D152	9-880-932-01	DIODE EG01C	
D153	8-719-911-19	DIODE 1SS119	
D154	8-719-043-74	DIODE AK04	
D155	9-900-535-01	DIODE AU02Z	
D156	9-880-927-01	DIODE 1N4005	
D158	9-880-991-01	DIODE MA4270	
D159	8-719-922-11	DIODE MTZJ22B	
D203	8-719-109-85	DIODE RD5.1ES	
D204	8-719-911-19	DIODE 1SS119	
D205	8-719-911-19	DIODE 1SS119	
D251	9-900-535-01	DIODE AU02Z	
D252	8-719-510-73	DIODE S3L20U	
D253	8-719-027-20	DIODE D3S4M	
D254	9-900-535-01	DIODE AU02Z	
< FUSE >			
△F101	1-532-388-31	FUSE T2A, 250V	
< IC >			
IC151	9-980-235-01	IC AN8028	
IC201	8-759-438-18	IC PQ12RD08	
< PHOTOCOUPLER >			
△PC151	8-749-924-80	PHOTOCOUPLER PS2561	
< IC LINK >			
△PS201	1-533-592-21	LINK, IC 1.6A	
△PS202	1-533-593-21	LINK, IC 2.0A	
△PS251	1-533-589-11	FUSE 750mA	
< TRANSISTOR >			
Q151	9-880-931-01	FET 2SK3047	
Q201	8-729-113-32	TRANSISTOR 2SB733	
Q204	9-880-929-01	TRANSISTOR 2SC1740	
Q205	8-729-019-01	TRANSISTOR 2SD2394	
Q206	8-729-119-78	TRANSISTOR 2SC2785	
Q207	8-729-117-32	TRANSISTOR 2SD773	
Q210	9-880-930-01	TRANSISTOR UN4111	
Q211	8-729-422-72	TRANSISTOR UN4211	

**Note :**  
The components identified by mark △ or dotted line with mark △ are critical for safety. Replace only with part number specified.

**Note :**  
Les composants identifiés par une marque △ sont critiques pour la sécurité. Ne les remplacer que par une pièce portant le numéro spécifié.

**POWER BLOCK SRV878EK**

**SE-77**

Ref.No.	Part No.	Description	Remarks
< RESISTOR >			
R251	9-880-993-01	RESISTO 10	1/4W F
R252	9-980-233-01	FUSIBLE 0.47	1/4W
< VARISTOR >			
△ Z101	9-880-928-01	VARISTOR ERZV10D751	
*	A-6794-675-A	SE-77A BOARD, COMPLETE (B)	
***** (Ref.No.:1,000 series)			
< CAPACITOR >			
C970	1-163-259-91	CERAMIC CHIP 220PF	5% 50V (B)
C971	1-124-257-00	ELECT 2.2uF	20% 50V (B)
C972	1-163-017-00	CERAMIC CHIP 0.0047uF	5% 50V (B)
C973	1-163-021-91	CERAMIC CHIP 0.01uF	10% 50V (B)
C974	1-109-982-11	CERAMIC CHIP 1uF	10% 10V (B)
C975	1-163-037-11	CERAMIC CHIP 0.022uF	10% 25V (B)
C976	1-163-259-91	CERAMIC CHIP 220PF	5% 50V (B)
C977	1-163-021-91	CERAMIC CHIP 0.01uF	10% 50V (B)
C978	1-163-017-00	CERAMIC CHIP 0.0047uF	5% 50V (B)
C979	1-163-121-00	CERAMIC CHIP 150PF	5% 50V (B)
C980	1-164-004-11	CERAMIC CHIP 0.1uF	10% 25V (B)
C981	1-163-021-91	CERAMIC CHIP 0.01uF	10% 50V (B)
C982	1-163-007-11	CERAMIC CHIP 680PF	10% 50V (B)
C983	1-163-009-11	CERAMIC CHIP 0.001uF	10% 50V (B)
C984	1-163-021-91	CERAMIC CHIP 0.01uF	10% 50V (B)
C985	1-163-251-11	CERAMIC CHIP 100PF	5% 50V (B)
C986	1-126-964-11	ELECT 10uF	20% 50V (B)
C987	1-107-823-11	CERAMIC CHIP 0.47uF	10% 16V (B)
C988	1-163-251-11	CERAMIC CHIP 100PF	5% 50V (B)
C991	1-164-004-11	CERAMIC CHIP 0.1uF	10% 25V (B)
C992	1-163-021-91	CERAMIC CHIP 0.01uF	10% 50V (B)
C993	1-163-021-91	CERAMIC CHIP 0.01uF	10% 50V (B)
C994	1-163-021-91	CERAMIC CHIP 0.01uF	10% 50V (B)
C995	1-126-157-11	ELECT 10uF	20% 16V (B)
C996	1-163-227-11	CERAMIC CHIP 10PF	0.5PF 50V (B)
< CONNECTOR >			
CN970	1-573-825-11	CONNECTOR, BOARD TO BOARD 11P	(B)
< IC >			
IC970	8-759-438-17	IC LA7337	(B)
< JUMPER RESISTOR >			
JR970	1-216-296-91	SHORT	0 (B)
JR971	1-216-296-91	SHORT	0 (B)
JR972	1-216-296-91	SHORT	0 (B)
JR973	1-216-295-91	SHORT	0 (B)
JR974	1-216-295-91	SHORT	0 (B)
< COIL >			
L970	1-414-933-21	INDUCTOR 6.8uH	(B)
L971	1-414-945-21	INDUCTOR 27uH	(B)
L972	1-414-938-21	INDUCTOR 47uH	(B)
L973	1-414-938-21	INDUCTOR 47uH	(B)
L975	1-414-934-21	INDUCTOR 10uH	(B)

Ref.No.	Part No.	Description	Remarks
< TRANSISTOR >			
Q970	8-729-216-22	TRANSISTOR 2SA1162-G	(B)
Q972	8-729-043-32	TRANSISTOR PDTA114EK-115	(B)
Q973	8-729-422-33	TRANSISTOR 2PD601AR-115	(B)
Q974	8-729-422-33	TRANSISTOR 2PD601AR-115	(B)
Q975	8-729-043-32	TRANSISTOR PDTA114EK-115	(B)
Q976	8-729-043-29	TRANSISTOR PDTC144EK-115	(B)
< RESISTOR >			
R968	1-216-101-00	METAL CHIP 150K	5% 1/10W (B)
R969	1-216-069-00	METAL CHIP 6.8K	5% 1/10W (B)
R970	1-216-085-00	METAL CHIP 33K	5% 1/10W (B)
R971	1-216-085-00	METAL CHIP 33K	5% 1/10W (B)
R972	1-216-083-00	METAL CHIP 27K	5% 1/10W (B)
R973	1-216-105-91	RES,CHIP 220K	5% 1/10W (B)
R974	1-216-081-00	METAL CHIP 22K	5% 1/10W (B)
R975	1-216-295-91	SHORT	0 (B)
R976	1-216-059-00	METAL CHIP 2.7K	5% 1/10W (B)
R977	1-216-089-91	RES,CHIP 47K	5% 1/10W (B)
R978	1-216-071-00	METAL CHIP 8.2K	5% 1/10W (B)
R979	1-216-073-00	METAL CHIP 10K	5% 1/10W (B)
R980	1-216-097-91	RES,CHIP 100K	5% 1/10W (B)
R981	1-216-083-00	METAL CHIP 27K	5% 1/10W (B)
R982	1-216-089-91	RES,CHIP 47K	5% 1/10W (B)
R983	1-216-067-00	METAL CHIP 5.6K	5% 1/10W (B)
R985	1-216-041-00	METAL CHIP 470	5% 1/10W (B)
R986	1-216-089-91	RES,CHIP 47K	5% 1/10W (B)
R988	1-216-073-00	METAL CHIP 10K	5% 1/10W (B)
R989	1-216-049-91	RES,CHIP 1K	5% 1/10W (B)
R990	1-216-295-91	SHORT	0 (B)
R993	1-216-071-00	METAL CHIP 8.2K	5% 1/10W (B)
R994	1-216-689-11	METAL CHIP 39K	0.5% 1/10W (B)
R995	1-216-073-00	METAL CHIP 10K	5% 1/10W (B)
R996	1-216-689-11	METAL CHIP 39K	0.5% 1/10W (B)

<p><b>Note :</b> The components identified by mark △ or dotted line with mark △ are critical for safety. Replace only with part number specified.</p>	<p><b>Note :</b> Les composants identifiés par une marque △ sont critiques pour la sécurité. Ne les remplacer que par une pièce portant le numéro spécifié.</p>
---	---