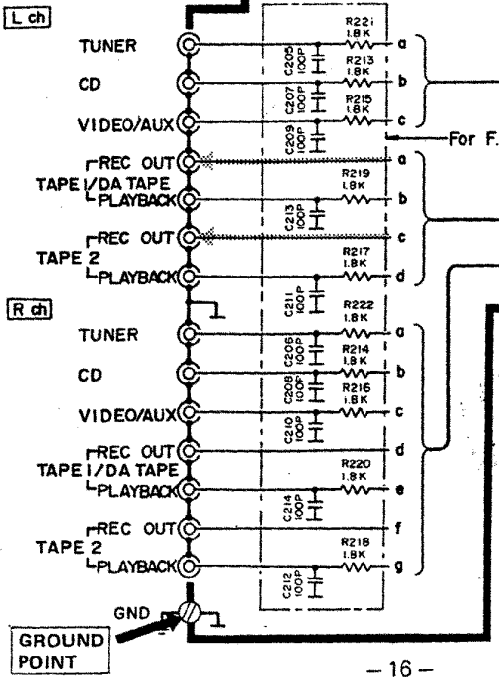
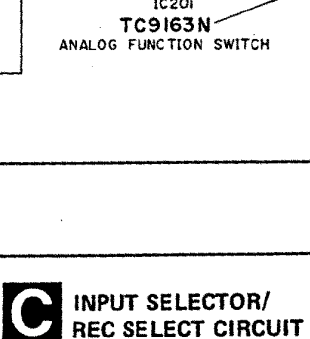
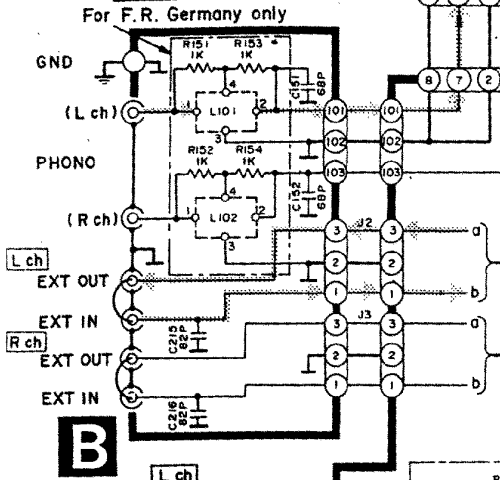
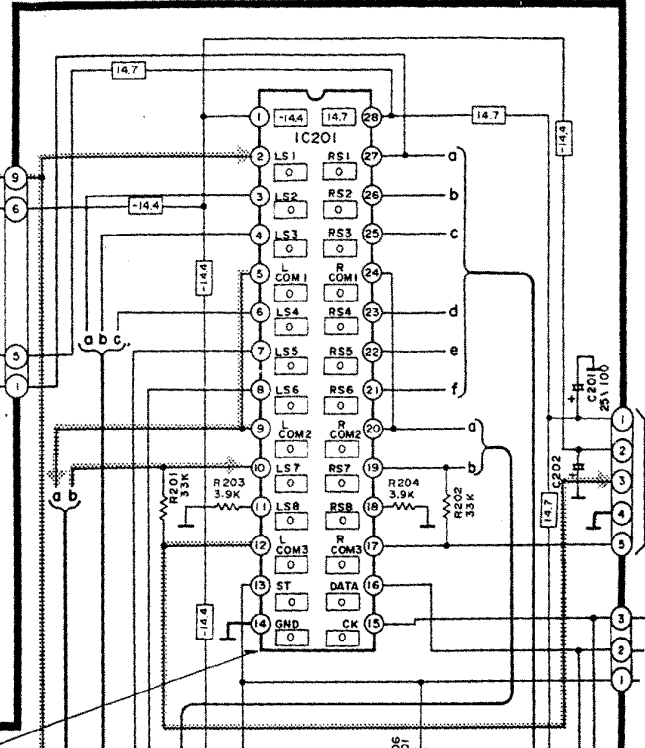
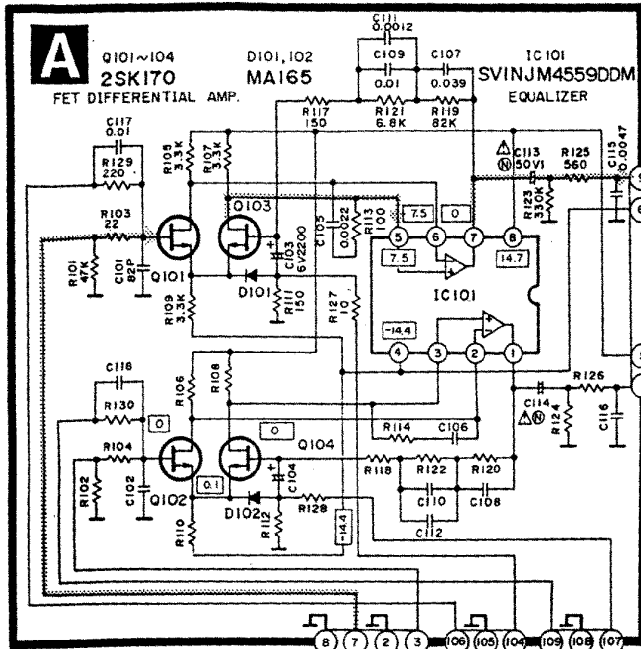
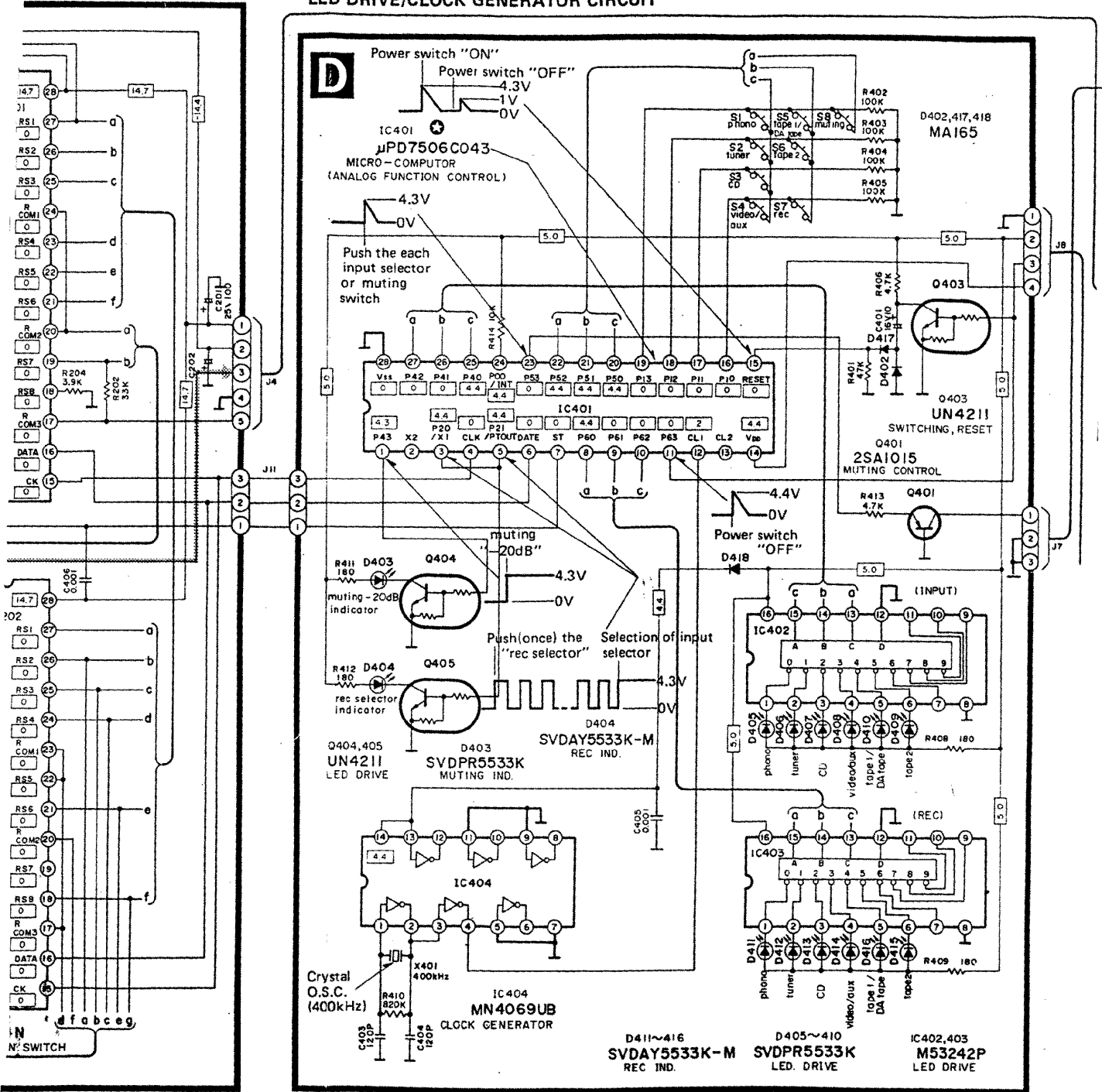


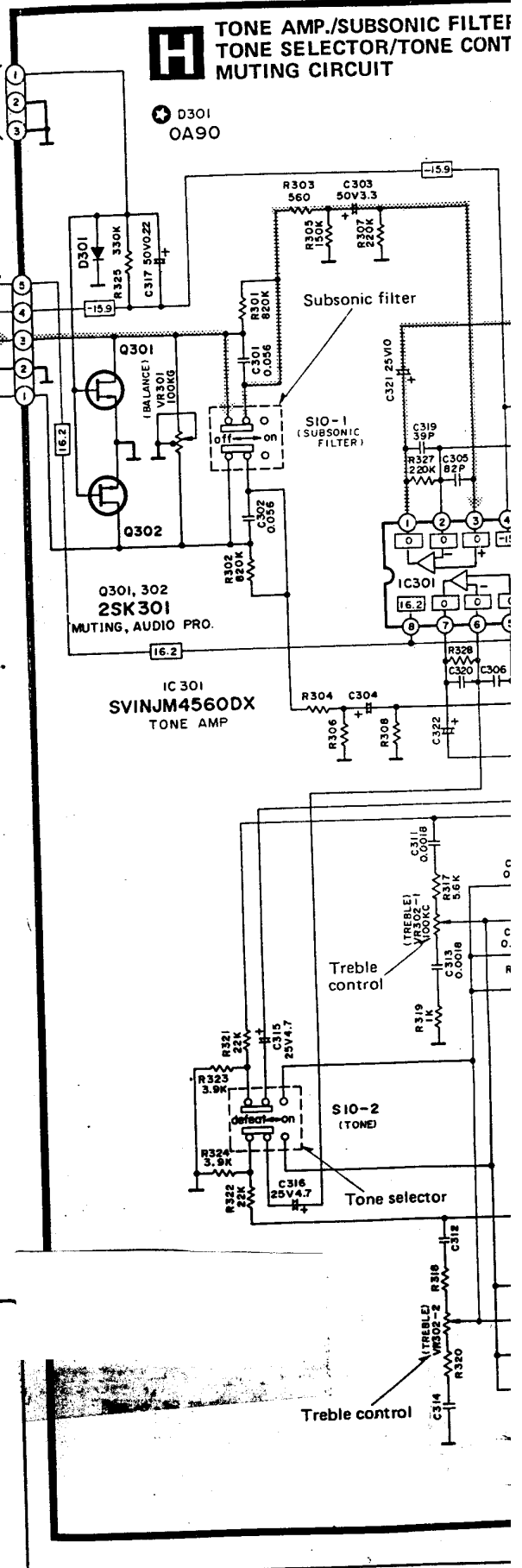
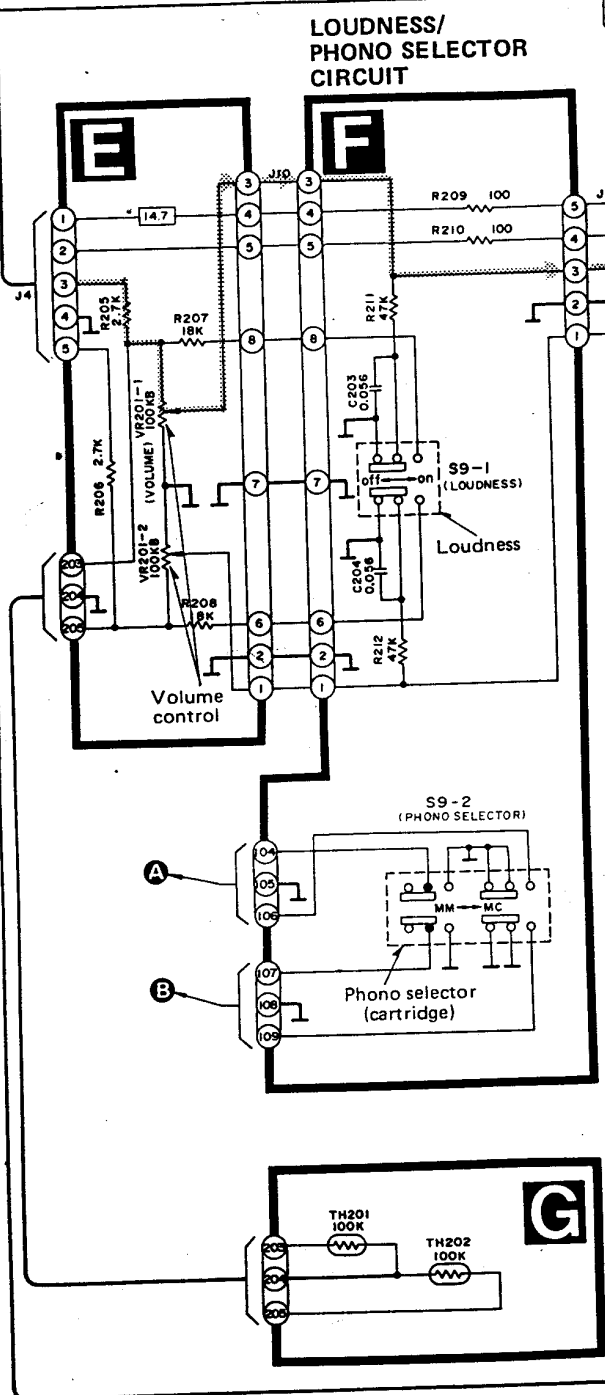
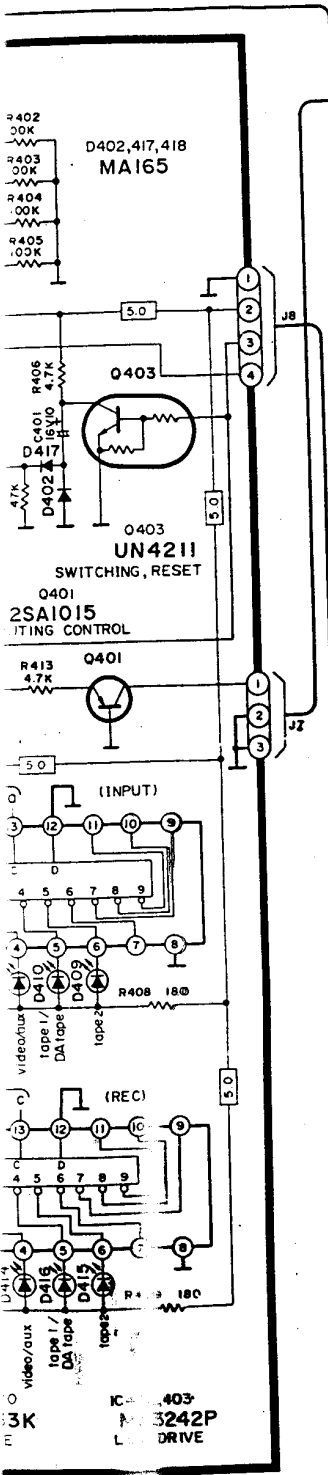
DIFFERENTIAL AMP./ EQUALIZER CIRCUIT



MICRO COMPUTER(FUNCTION CONTROL)/INPUT SELECT SWITCH/REC SWITCH/
LED DRIVE/CLOCK GENERATOR CIRCUIT

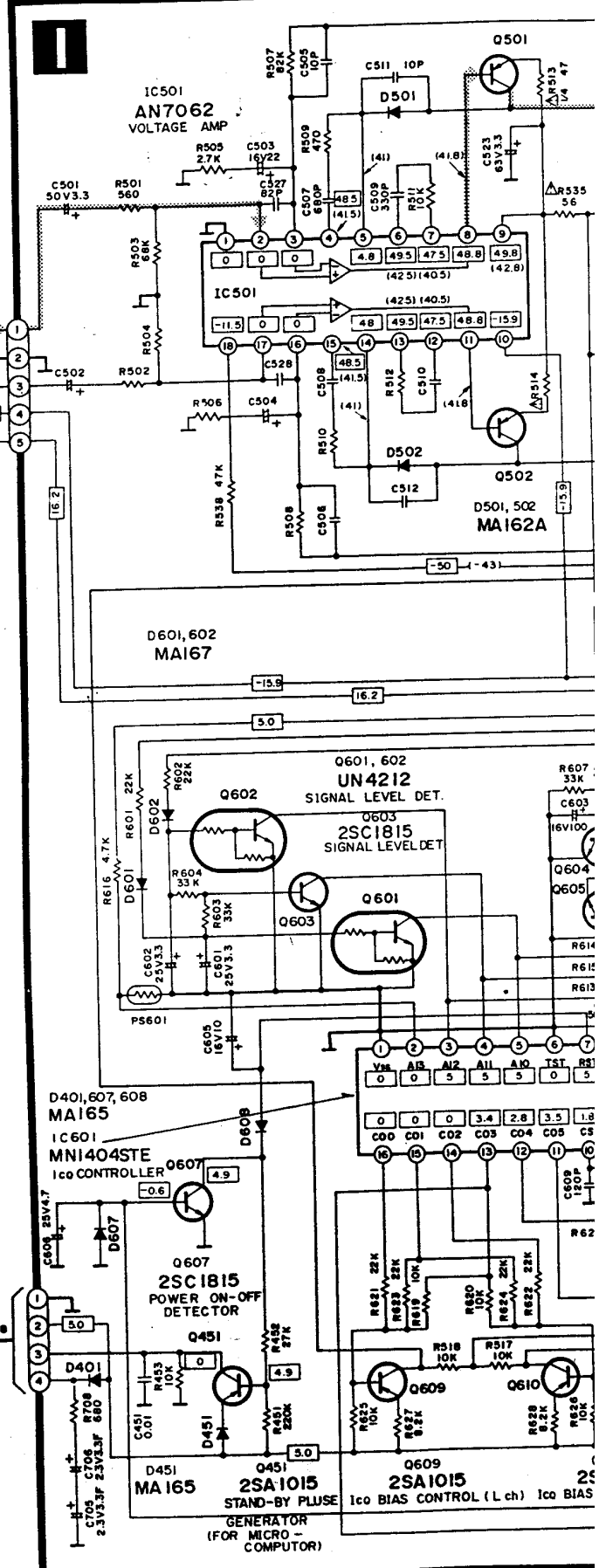
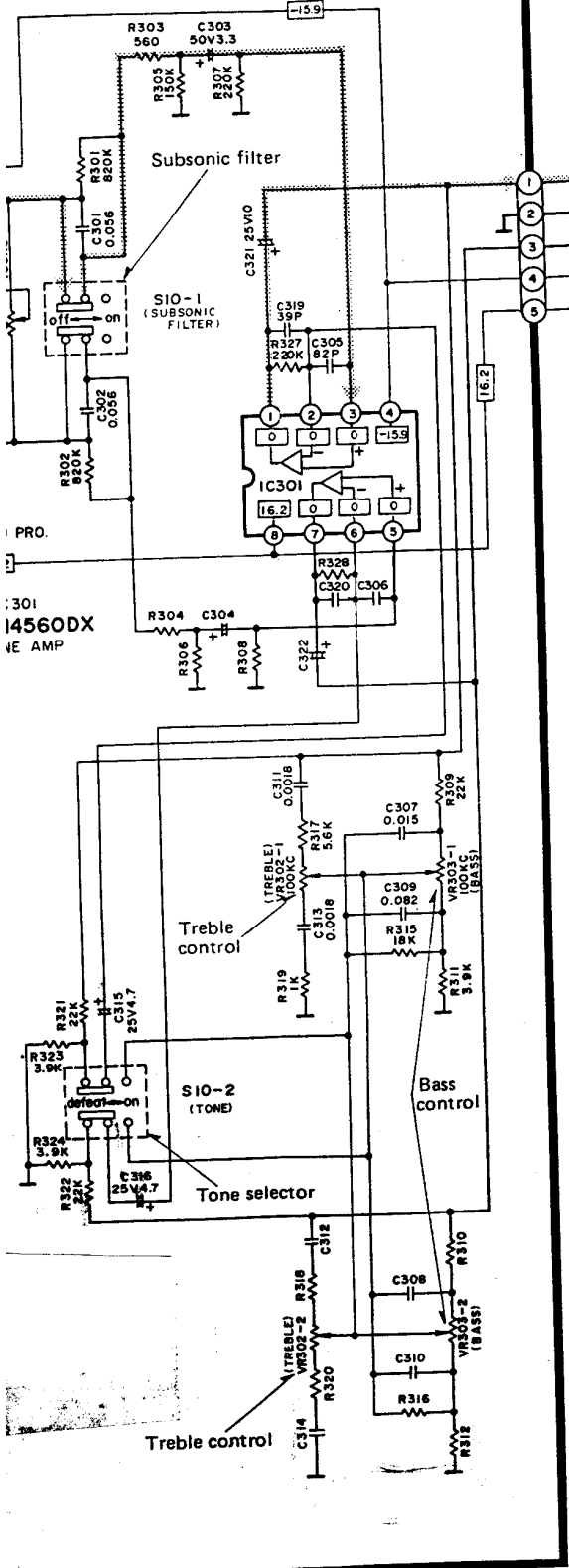


REC SWITCH/

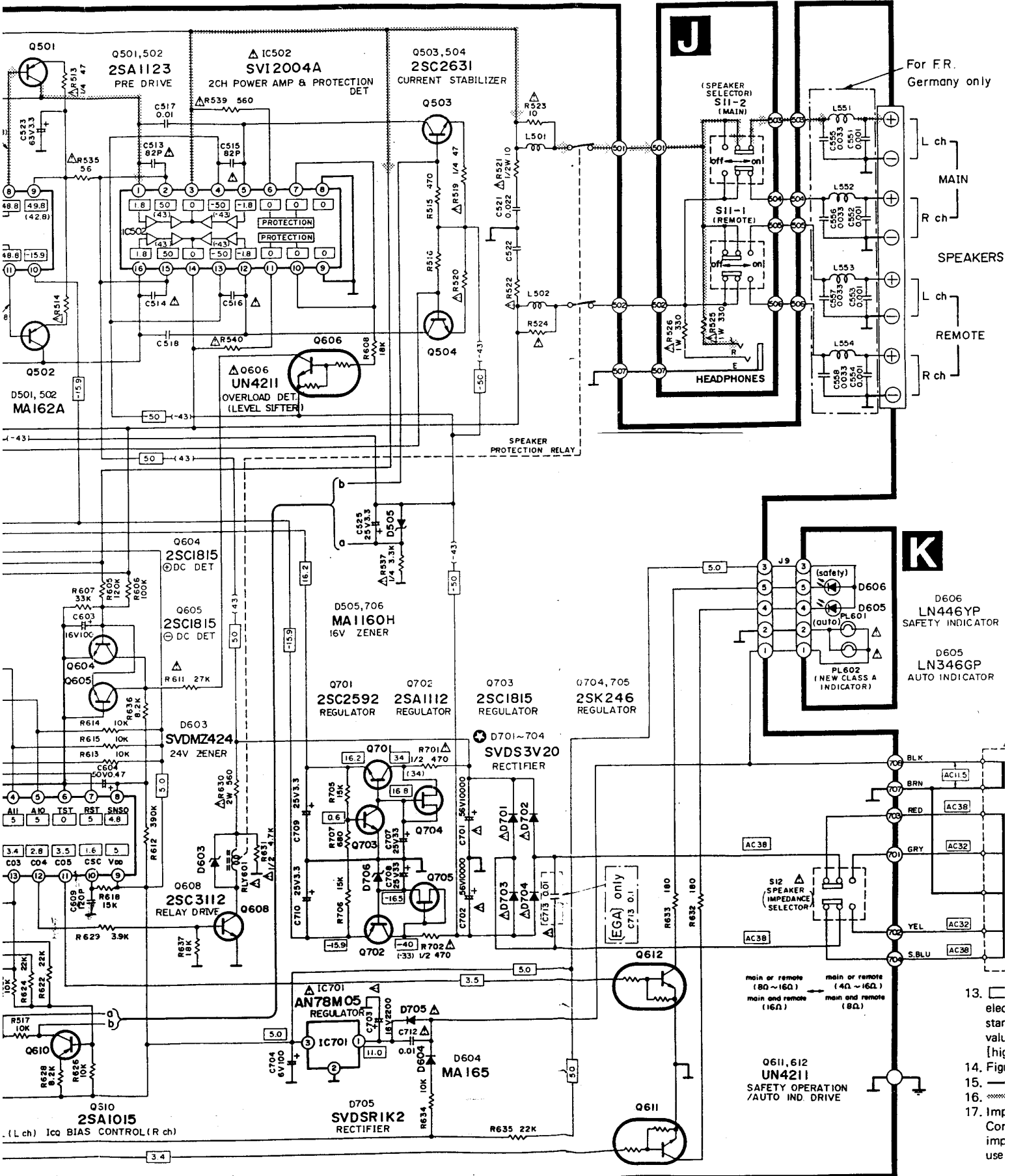


TONE AMP./SUBSONIC FILTER/ TONE SELECTOR/TONE CONTROL/ MUTING CIRCUIT

D301
JA90



SPEAKER SELECT CIRCUIT



SPEAKER SELECT CIRCUIT

SCHEMATIC DIAGRAM

(This schematic diagram may be modified at any time with the development of new technology).

The part No. of transistors, IC and diodes mentioned in the schematic diagram stand for production part No. Regarding the part No. with \odot mark, the production part No. are different from the replacement part No. Therefore, when placing an order for replacement parts, please use the part No. in the replacement parts list.

Notes:

1. S1~S6 : Input selector switch in "phono" position.
S1: phono, S2: tuner, S3: CD, S4: video/aux, S5: tape 1/DA tape, S6: tape 2
2. S7 : Recording selector switch in "off" position.
3. S8 : Muting switch in "0dB" position. (0dB \leftrightarrow -20dB)
4. S9-1 : Loudness switch in "off" position. (\blacksquare on, \blacktriangle off)
5. S9-2 : Phono selector switch in "MM" position. (\blacksquare MM, \blacktriangle MC)
6. S10-1 : Subsonic filter switch in "off" position. (\blacksquare off, \blacktriangle on)
7. S10-2 : Tone switch in "defeat" position. (\blacksquare defeat, \blacktriangle on)
8. S11-1 : Main speakers selector switch in "on" position. (\blacksquare off, \blacktriangle on)
9. S11-2 : Remote speakers selector switch in "off" position. (\blacksquare off, \blacktriangle on)
10. S12 : Speaker impedance selector switch in "8 Ω ~ 16 Ω /16 Ω " position. (\blacksquare 8 Ω ~ 16 Ω /16 Ω , \blacktriangle 4 Ω ~ 6 Ω /8 Ω)
11. S13 : Power switch in "on" position.
12. S14 : Voltage selector switch in "220V" position.
110V \leftrightarrow 120V \leftrightarrow 220V \leftrightarrow 240V

